



PORSCHE

911 GT3 Cup
Model 2015 (Type 991)

Parts Catalog (EN)



PORSCHE

Table of Contents

1	Engine.....	7	1.20	rear water circuit.....	35
1.1	spare engine.....	8	1.21	mid radiator.....	36
1.2	crank case.....	9	1.22	side mounted radiators.....	37
1.3	crank case left.....	10	1.23	water expansion tank.....	39
1.4	crank case right.....	12	1.24	fuel distribution tank.....	40
1.5	crank shaft.....	14	1.25	induction system.....	41
1.6	cylinder and piston.....	16	1.26	engine ventilation lines.....	42
1.7	cylinder head.....	17	1.27	air filter housing.....	43
1.8	camshaft housing.....	18	1.28	vacuum lines.....	44
1.9	timing chain and chain case.....	20	1.29	accessory bracket.....	45
1.10	valve timing.....	22	1.30	alternator bracket.....	46
1.11	auxiliary shaft.....	23	1.31	engine bracket.....	47
1.12	heat exchanger console.....	24	2	fuel tank and exhaust system.....	48
1.13	engine oil circuit.....	26	2.1	fuel tank.....	49
1.14	oil tank.....	27	2.2	fuel pump.....	50
1.15	oil pump.....	29	2.3	refueling plate.....	51
1.16	water- and oil suction pump.....	30	2.4	fuel lines.....	52
1.17	engine water circuit.....	31	2.5	exhaust system.....	53
1.18	front water circuit.....	33	2.6	exhaust system without muffler.....	55
1.19	mid water circuit.....	34	2.7	front muffler.....	56

Table of Contents

3	gearbox.....	57	4.2	upright front.....	88
3.1	clutch.....	58	4.3	anti-roll bar front.....	90
3.2	central clutch operator.....	59	4.4	suspension strut front.....	91
3.3	spare gearbox.....	60	4.5	steering gear.....	92
3.4	gearbox cooling system.....	61	4.6	servo pump.....	93
3.5	gearbox housing.....	62	4.7	steering shaft.....	94
3.6	gearbox lubrication.....	64	4.8	steering wheel.....	95
3.7	differential cover for transmission case.....	65	5	rear axle.....	96
3.8	cover transmission case.....	66	5.1	rear axle side-carrier.....	97
3.9	gearhousing.....	69	5.2	rear axle wishbones.....	98
3.10	set of gears.....	71	5.3	rear upright.....	100
3.11	bearings and sleeves.....	72	5.4	anti-roll bar rear.....	102
3.12	cross shaft.....	76	5.5	suspension strut rear.....	104
3.13	shift module.....	77	5.6	drive shaft.....	105
3.14	shift rod and forks.....	79	6	rims and brakes.....	106
3.15	shift drum.....	80	6.1	rims.....	107
3.16	limited slip differential.....	82	6.2	brake front.....	108
3.17	gearbox bracket.....	84	6.3	brake rear.....	109
4	front axle.....	85	6.4	brake lines front version 1.....	110
4.1	front axle.....	86	6.5	brake lines front version 2.....	112

Table of Contents

6.6	brake lines rear version 1	114	8.13	windows	139
6.7	brake lines rear version 2	115	8.14	support frame + blower	140
6.8	brake adjustment.....	116	8.15	instrument board	141
7	pedal system.....	117	8.16	center console.....	143
7.1	pedal system.....	118	8.17	seat	144
7.2	clutch control system.....	119	8.18	footrest and bottom plate	145
7.3	accelerator pedal.....	120	9	electrical system.....	146
8	body.....	121	9.1	engine control unit.....	147
8.1	body in white.....	122	9.2	ignition and injection valve.....	148
8.2	sheet metal parts front	124	9.3	sensors.....	149
8.3	sheet metal parts side.....	125	9.4	cable looms.....	150
8.4	fender.....	126	9.5	generator and starter.....	151
8.5	wheel arch	127	9.6	battery and main relay.....	152
8.6	underbody panelling	128	9.7	windscreen wiper unit.....	153
8.7	front cover.....	129	9.8	headlight.....	154
8.8	front-end covering.....	131	9.9	rearlight.....	155
8.9	rear-end covering.....	133	9.10	display system.....	156
8.10	rear heat protection.....	134	9.11	paddle shift system	157
8.11	rear cover and wing.....	135	9.12	switch plate steering wheel.....	159
8.12	doors.....	137	9.13	support-plate center console	160

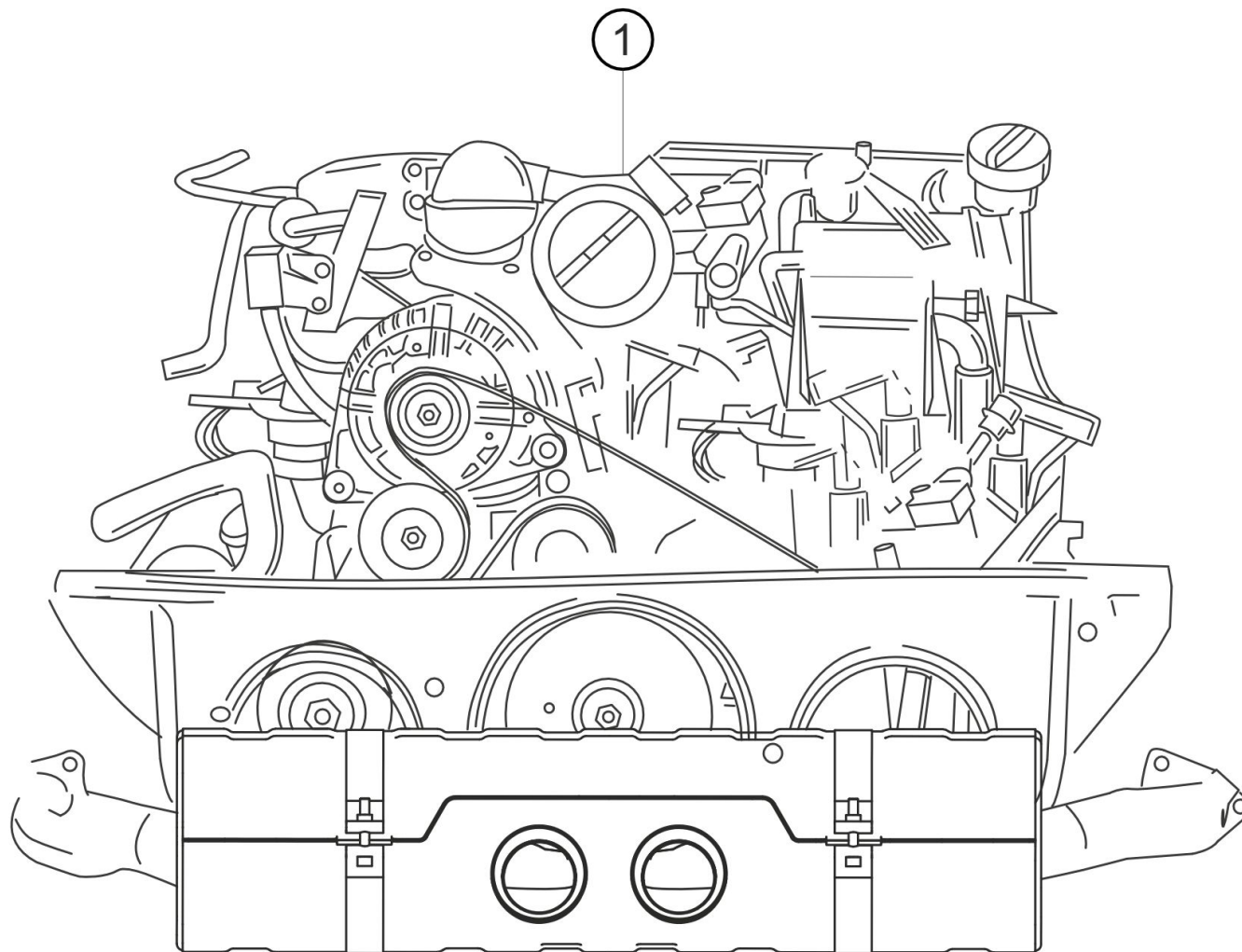
Table of Contents

10 accessories and tools.....	161
10.1 accessories.....	162
10.2 electrical accessories.....	163
10.3 greases and liquides.....	164
10.4 airjack system	165
10.5 fire extinguishing system.....	166
10.6 additional weights.....	168
10.7 passenger seat.....	169

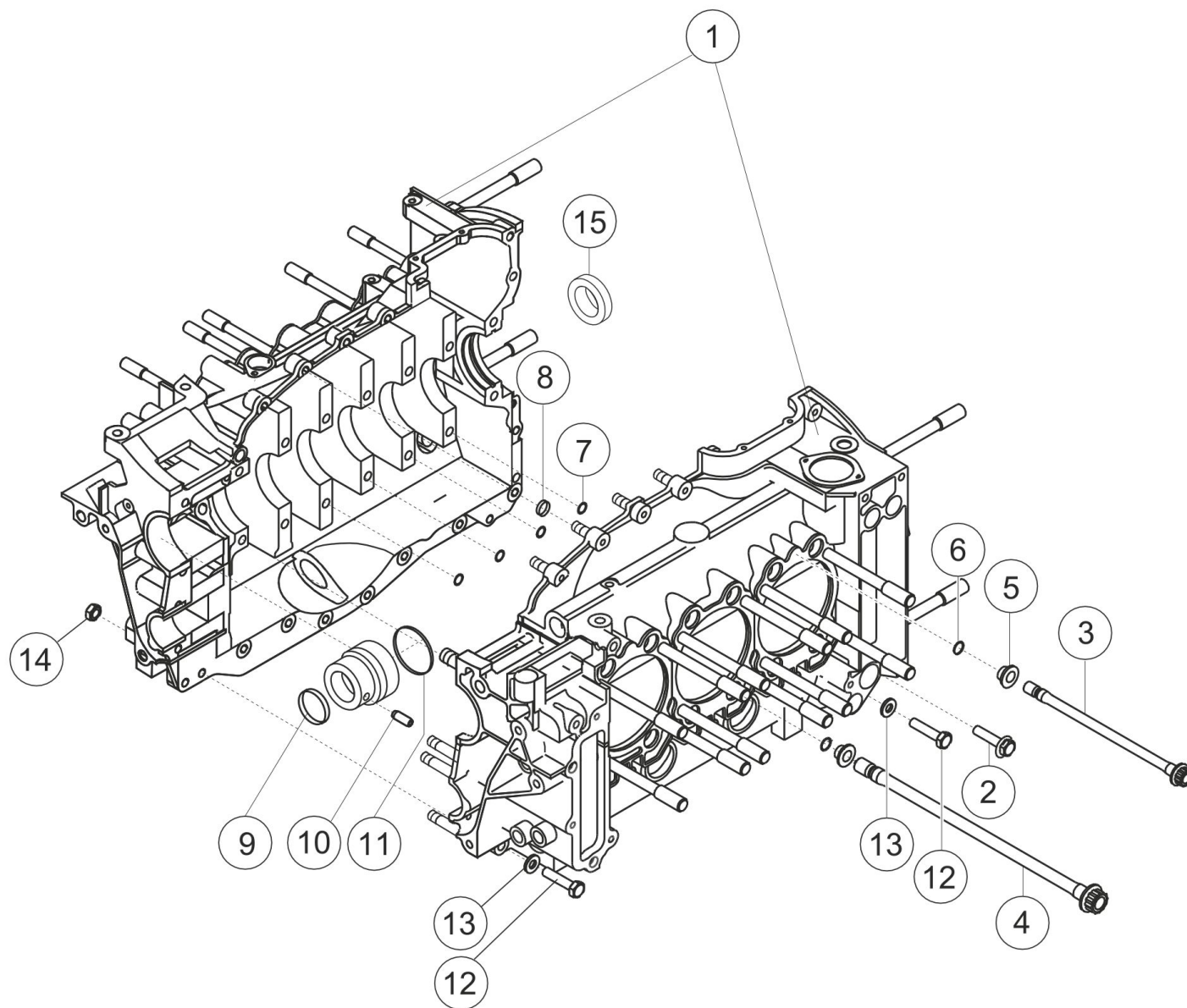
1 Engine

1.1 spare engine

Item no.	Description	M	Pc.	Material
O.B.	SET SEALINGS	X	1	99710090391
1	AS ENGINE COMPLETE CUP	X	1	99710077807

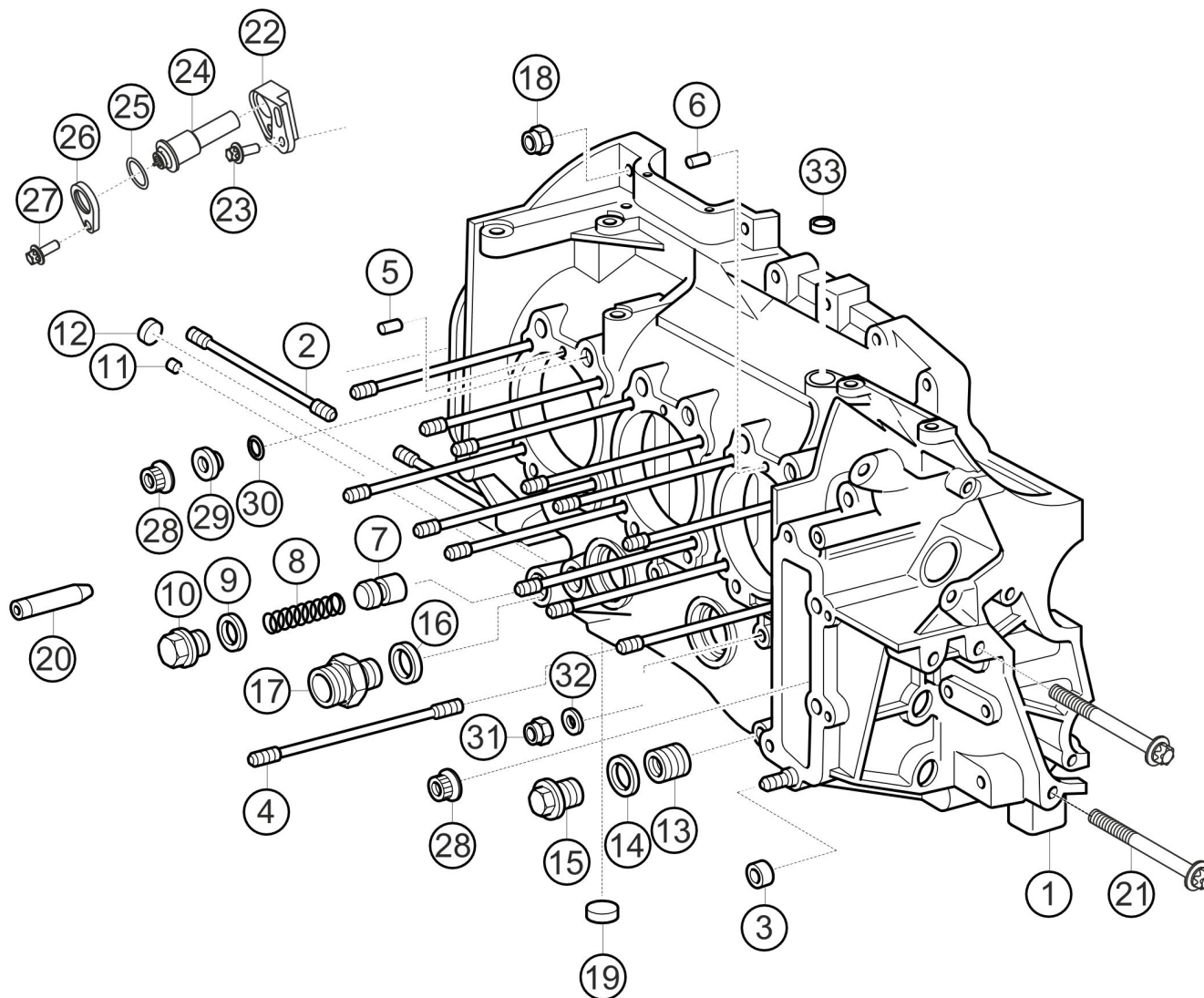


1.2 crank case



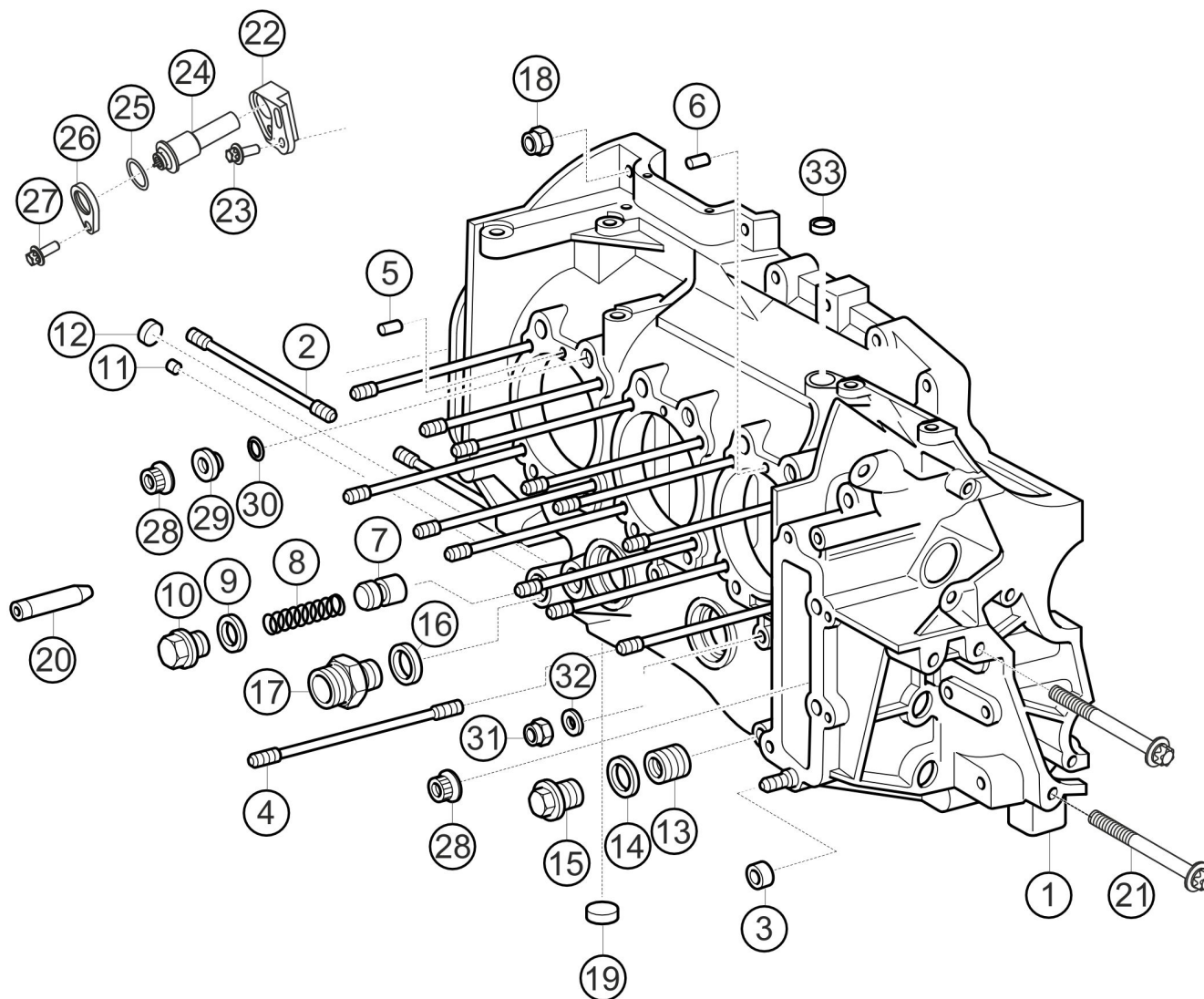
Item no.	Description	M	Pc.	Material
1	AS CRANKCASE INDEX 0	X	1	99610102282
2	COMBINATION SCREW		1	99921711101
3	POLYG.SOCK.SCREW M10		2	96410117400
4	SCREW CRANKCASE		11	95910117301
5	WASHER		24	96410131305
6	O-RING 8,00X2,0 N*PN 707 2/MVQ 60 RT		24	99970100641
7	RUBBER O-RING 8,30X2,4 S* FPM 70		2	99970159640
8	SEALING RING 16,3X22X9,5 FPM-C65 PN705		1	99970417250
9	SHAFT SEALING RING		1	99710226591
10	CYLINDRICAL PIN 5H8X10 I 2338 ST		1	90001206100
11	SEALING RING 51,00X4,5 N*PN 707 2/FPM 70 RT		1	99970728541
12	HEXAGON-HEAD BOLT		2	90007404003
13	WASHER		2	90003110501
14	LOCK NUT		22	99908420201
15	SHAFT SEALING RING		1	99710226491

1.3 crank case left



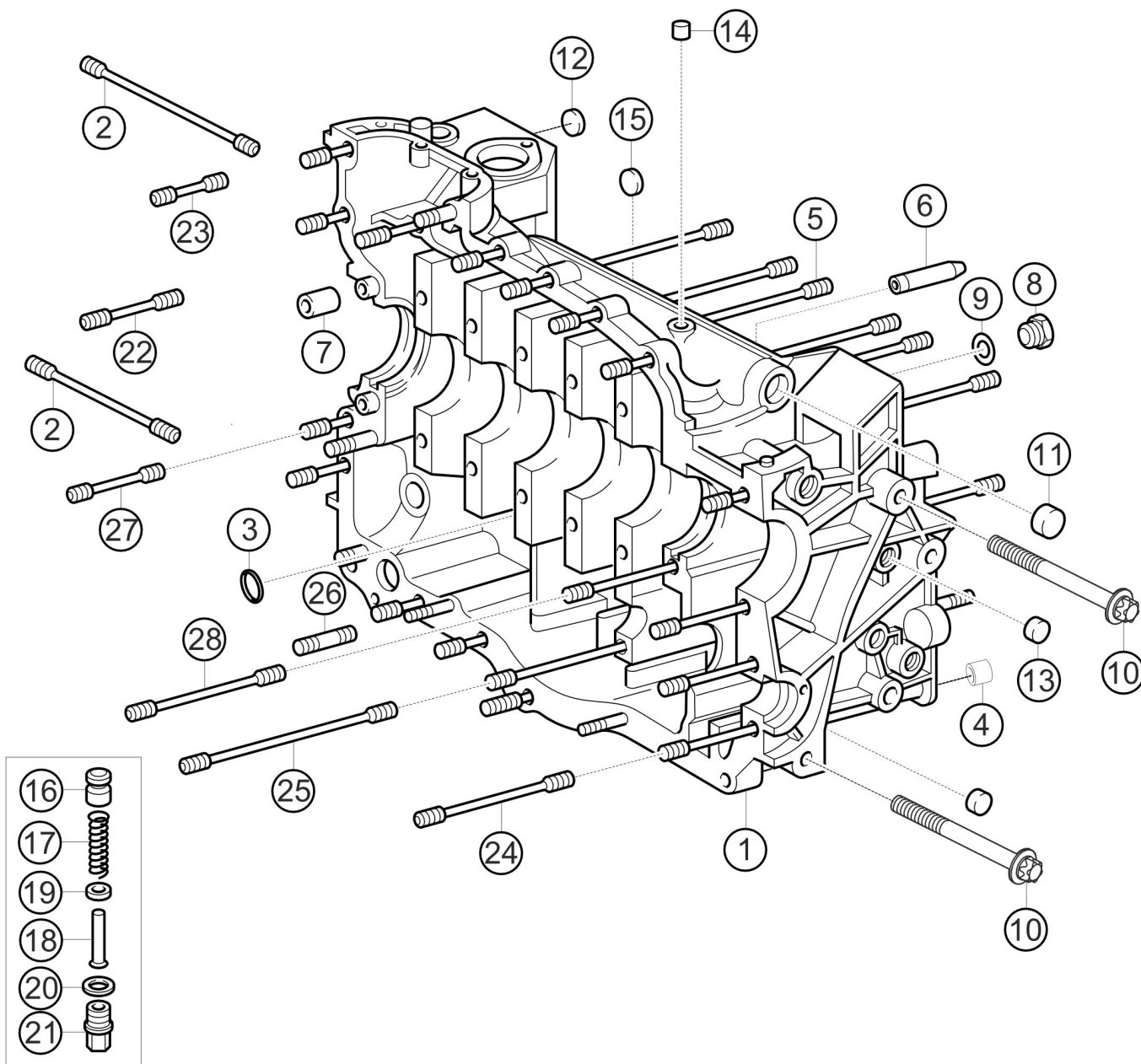
Item no.	Description	M	Pc.	Material
1	AS CRANKCASE INDEX 0	X	1	99610102282
2	STUD		2	90006010801
3	SLEEVE		2	90110114500
4	STUD M10		12	99610117270
5	DOWEL PIN RIGHT A 8,0X14 2338 ST		1	90001204600
6	DOWEL PIN LEFT A 6,0X14 2338 ST		1	90001205700
7	VALVE		1	91110751200
8	COMPRESSION SPRING		1	90110753101
9	SEALING RING A 18x24 D 7603 AL		1	90012310630
10	SCREW PLUG		1	99710710590
11	STOPPER		1	91110118602
12	LID		1	90003604701
13	THREADED INSERT		1	99950412700
14	ALUM.SEALING RING 22X27 D 7603 AL99,5		1	90012311830
15	SCREW PLUG		1	94410719703
16	ALUM.SEALING-RING 22X27 D 7603 ALMGS11 F28		1	90012301130
17	CONNECTION PIECE		1	99913604401
18	LOCK NUT		21	99908420201
19	LID		1	90003604501
20	SPLASH VALVE RIGHT	X	3	99710101892
20	SPLASH VALVE LEFT	X	3	99710101893
21	OUTER HEXAGON ROUND SCREW		2	90038506201
22	HOLDER SPEED SENSOR	X	1	99760618790

1.3 crank case left



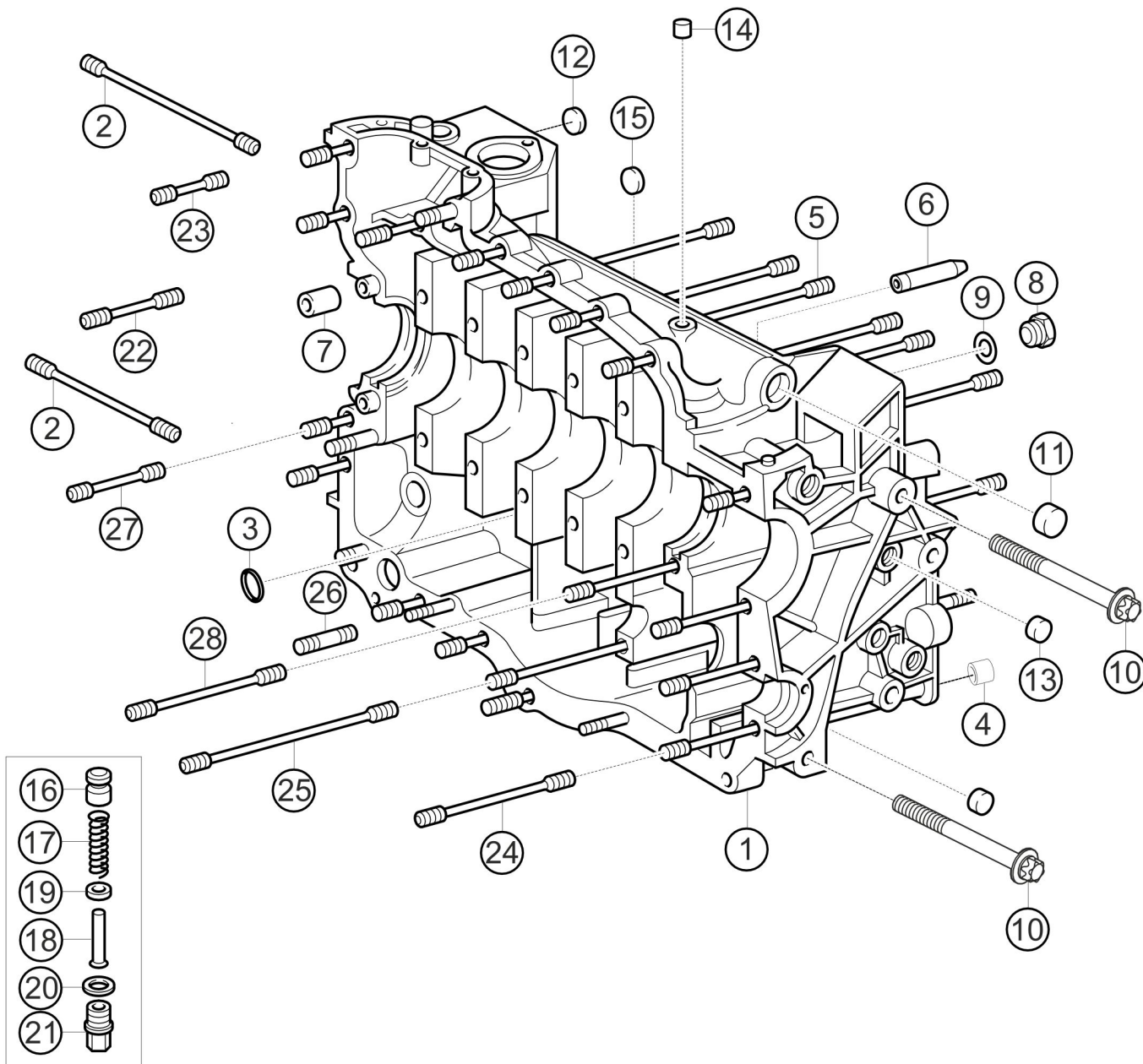
Item no.	Description	M	Pc.	Material
23	TORX SCREW		1	90038500901
24	SPEED SENSOR	X	1	9916061058A
25	O-RING 20,00X2,0 N* NBR60	X	1	99970115040
26	RETAINING CLIP SPEED SENSOR	X	1	9966063059B
27	TORX SCREW		1	90038500901
28	HEX.COLLAR NUT		12	95910117200
29	WASHER		12	96410131305
30	O-RING 8,00X2,0 N*PN 707 2/MVQ 60 RT		12	99970100641
31	NUT		1	90091013001
32	WASHER		1	90002500803

1.4 crank case right



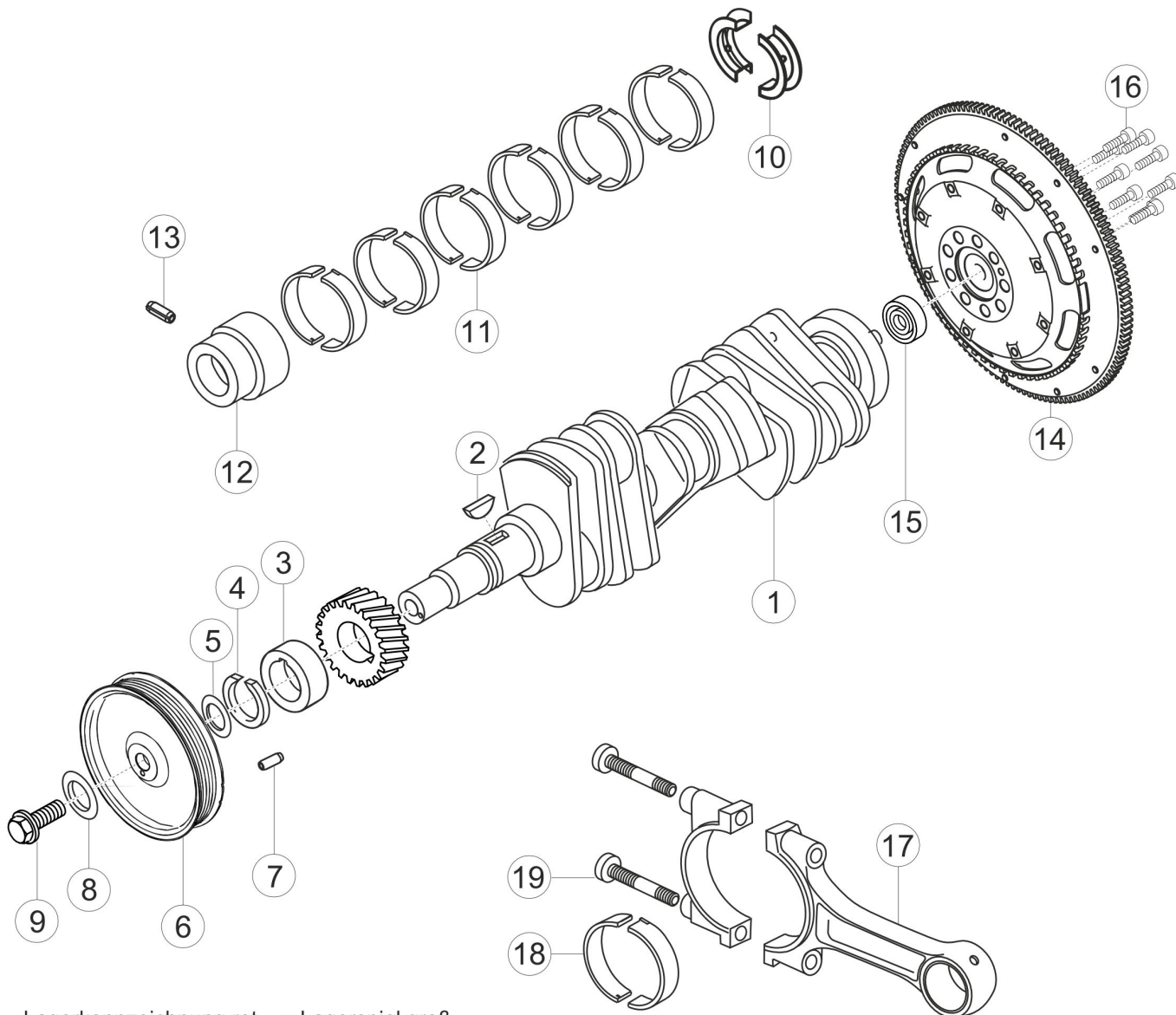
Item no.	Description	M	Pc.	Material
1	AS CRANKCASE INDEX 0	X	1	99610102282
2	STUD		2	90006010801
3	RUBBER O-RING 8,30X2,4 S* FPM 70		1	99970159640
4	SLEEVE		2	90110114500
5	STUD M10		12	99610117270
6	SPLASH VALVE LEFT	X	3	99710101893
6	SPLASH VALVE RIGHT	X	3	99710101892
7	SLEEVE		2	90110119500
8	SCREW PLUG		1	90021900401
9	SEALING RING A 16x20 D 7603 AL99 F12		1	90012313130
10	OUTER HEXAGON ROUND SCREW		2	90038506201
11	LID		1	90003604601
12	LID		1	90003602903
13	LID		2	90003604701
14	STOPPER		1	91110118602
15	LID		1	90003600803
16	VALVE		1	91110751200
17	PRE.REG.VALVE SPRING		1	99610712780
18	GUIDE SLEEVE		1	99610753391
19	SPACER RING		1	99610753282
20	SEALING RING A 18x24 D 7603 AL		1	90012310630
21	SCREW PLUG PRESS.CONTROL VALVE		1	99610710582
22	STUD		1	90006010201

1.4 crank case right



Item no.	Description	M	Pc.	Material
23	STUD		13	90006010401
24	STUD		3	90006010101
25	STUD		1	90006009901
26	STUD		3	90006010601
27	STUD		2	90006010301
28	SPECIAL STUD		1	99610117570

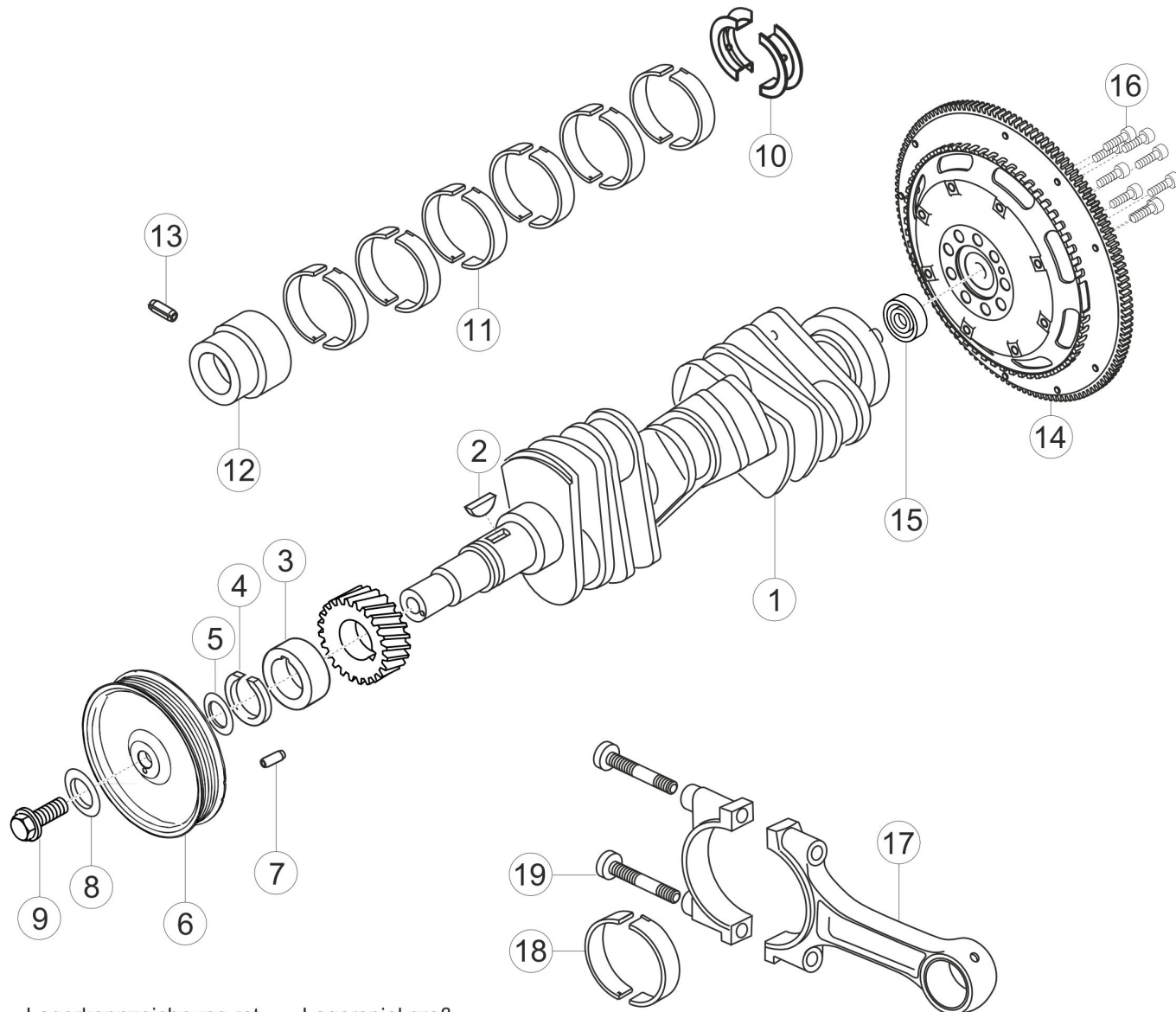
1.5 crank shaft



Lagerkennzeichnung rot = Lagerspiel groß
 Lagerkennzeichnung blau = Lagerspiel klein
 red bearing marking = bearing shake wide
 blue bearing marking = bearing shake small

Item no.	Description	M	Pc.	Material
1	AS CRANKSHAFT	X	1	99610202196
2	WOODRUFF KEY		1	90110214700
3	INTERMEDIATE RING		1	99710232190
4	circlip 38,6 index 0		1	90110214800
4	circlip 38,6 index 1		1	90110214801
4	circlip 38,6 index 2		1	90110214802
4	circlip 38,6 index 3		1	90110214803
5	WASHER		1	99610220390
6	AS BELT PULLEY	X	1	99710201791
7	PIN 4M6X14	X	1	90001221200
8	WASHER		1	99902517401
9	SCREW BELT PULLEY	X	1	99710255090
10	THRUST BEARING BLUE	X	2	99610123193
10	THRUST BEARING YELLOW		2	99610123192
10	THRUST BEARING RED	X	2	99610123191
11	MAIN BEARING RED	X	12	99610123291
11	MAIN BEARING YELLOW		12	99610123292
11	MAIN BEARING BLUE	X	12	99610123293
12	BEARING SLEEVE 8		1	96410113801
13	CYLINDRICAL PIN 5H8X10 I 2338 ST		1	90001206100
14	AS FLYWHEEL	X	1	99710204192
15	GROOV.BALL BEAR.SKF		1	93110211100
16	POLYGON SOCKET SCREW		9	93010220600

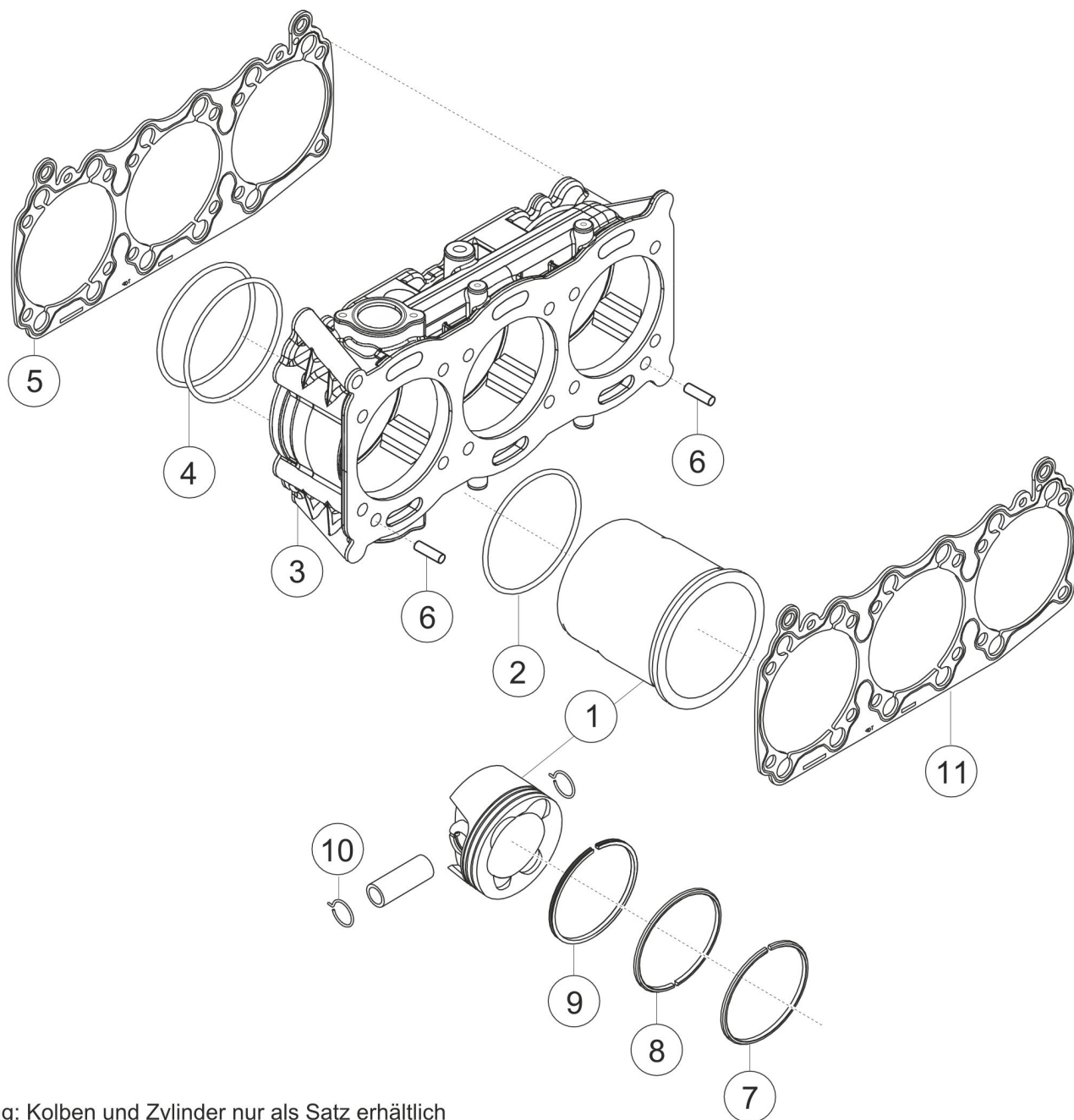
1.5 crank shaft



Lagerkennzeichnung rot = Lagerspiel groß
 Lagerkennzeichnung blau = Lagerspiel klein
 red bearing marking = bearing shake wide
 blue bearing marking = bearing shake small

Item no.	Description	M	Pc.	Material
17	AS CONROD CPL.	X	6	99710302095
18	CONROD BEARING SHELL	X	12	99610312194
19	CONROD BOLT	X	12	99710317695

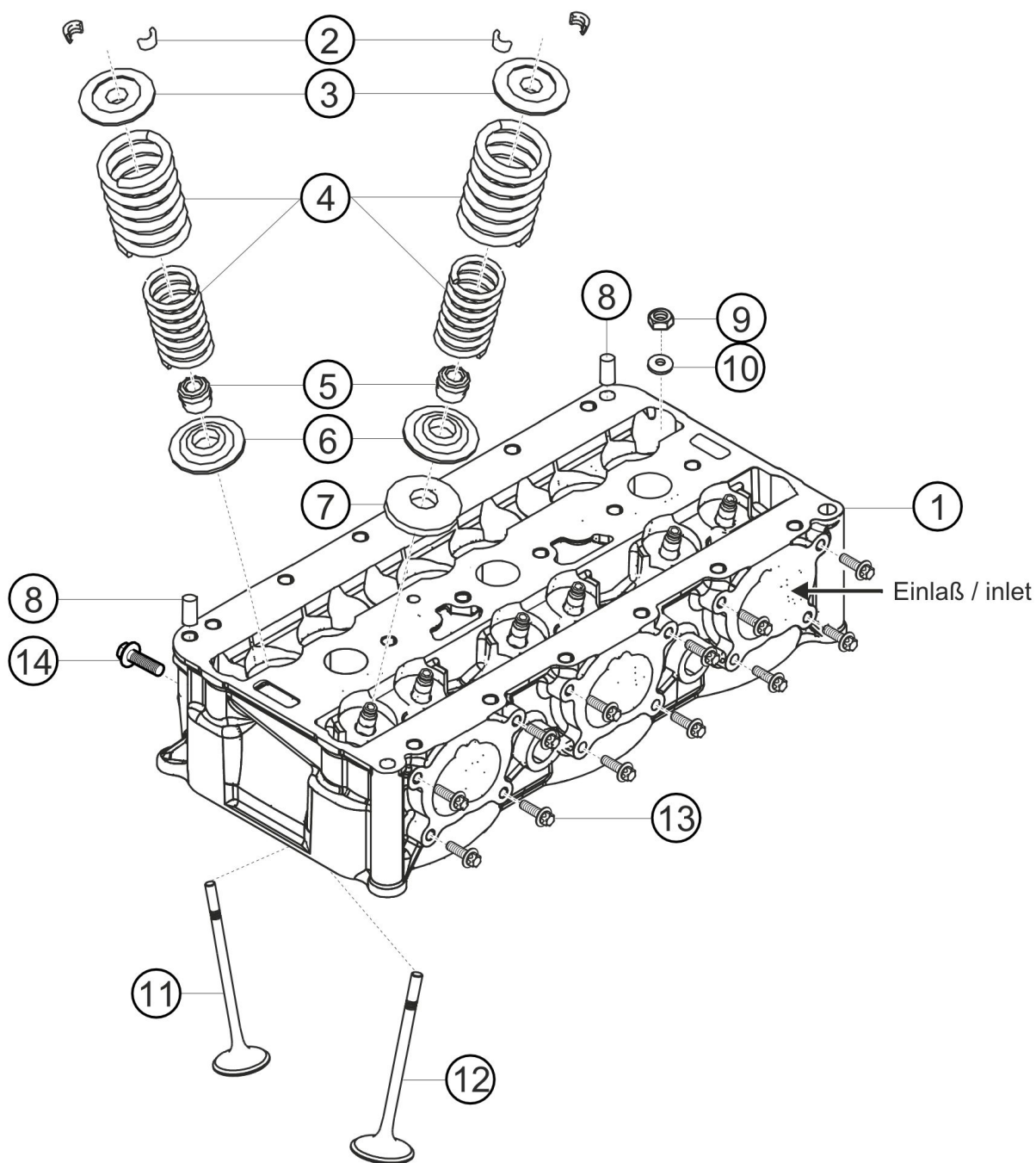
1.6 cylinder and piston



Item no.	Description	M	Pc.	Material
1	SET,PISTON&CYLINDER	X	6	99710393893
2	O-RING		6	99970739340
3	CYLINDER HOUSING		2	99710131170
4	O-RING		12	99970739440
5	CYLINDER-BASE GASKET		2	99710119371
6	DOWEL PIN RIGHT A 8,0X14 I 2338 ST		4	90001204600
7	PISTON RING GROOVE 1		6	99710337197
8	PISTON RING GROOVE 2	X	6	99710337495
9	PISTON RING GROOVE 3	X	6	99710337295
10	LOCKING RING	X	12	99710314190
11	CYLINDER-HEAD GASKET	X	2	9971041708A

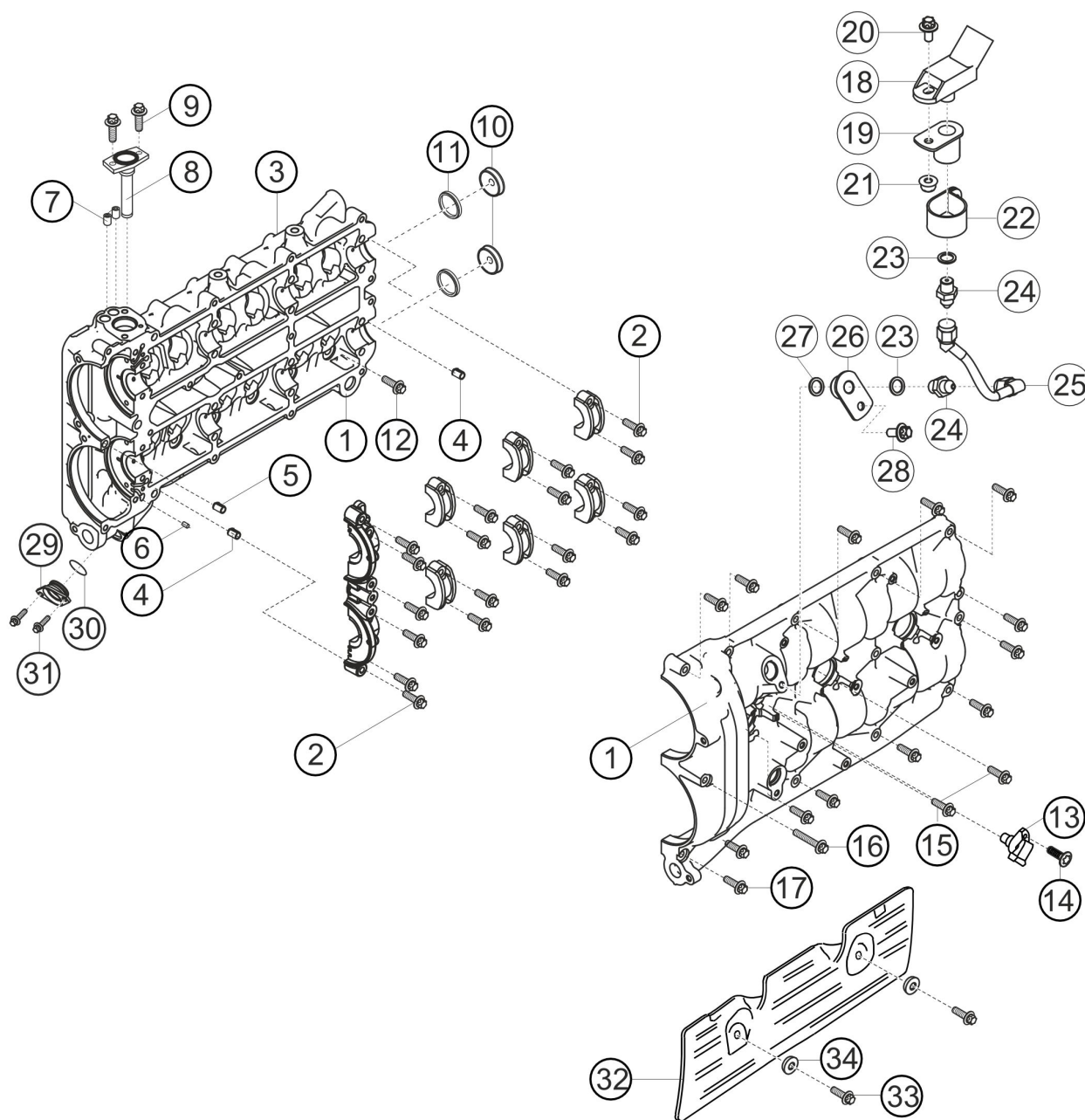
Achtung: Kolben und Zylinder nur als Satz erhältlich
Attention: Cylinder liner and piston just available as set

1.7 cylinder head



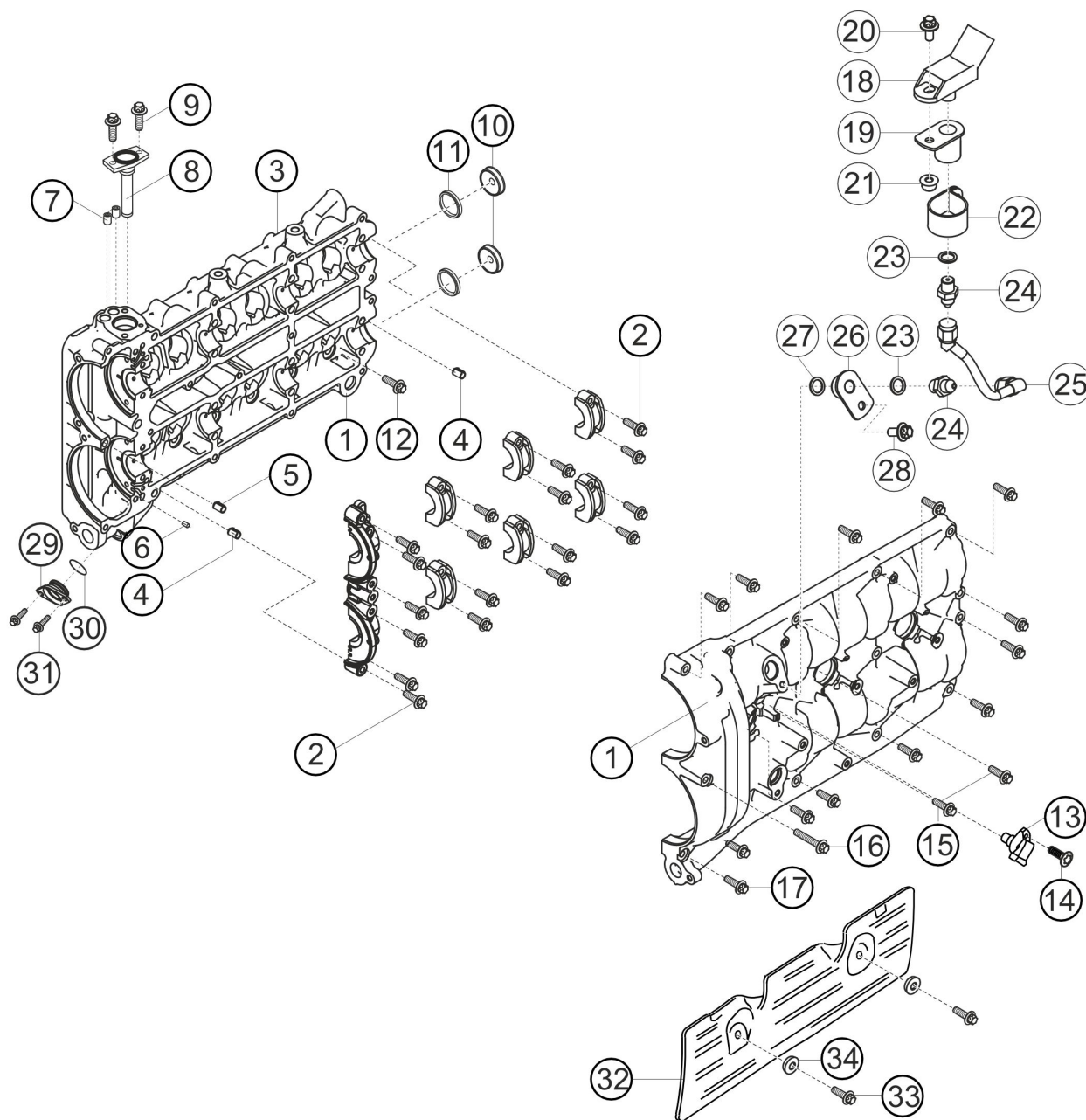
Item no.	Description	M	Pc.	Material
1	AS CYLINDER HEAD CPL.	X	2	99710400197
1	AS CYLINDER HEAD	X	2	99710401696
2	VALVE COLLETS		48	99610512352
3	VALVE-SPRING CAP UPPER	X	24	99710512190
4	SET, VALVE SPRINGS	X	24	99710509396
5	VALVE-STEM SEALING		24	99610511552
6	VALVE-SPRING CAP LOWER	X	24	99710511790
7	SPACING WASHER	X	12	99610546193
8	DOWEL PIN RIGHT A 8,0X14 I 2338 ST		4	90001204600
9	CYLINDER HEAD NUT	X	24	99610438281
10	PLANE WASHER CYLINDER HEAD	X	24	99610435190
11	EXHAUST VALVE DIA.=35.5	X	12	99710511390
12	INLET VALVE DIA.=41	X	12	99710511190
13	HEXAGON-HEAD BOLT		24	90038501901
14	HEX.COLLAR SCREW M8X28		18	90037813100

1.8 camshaft housing



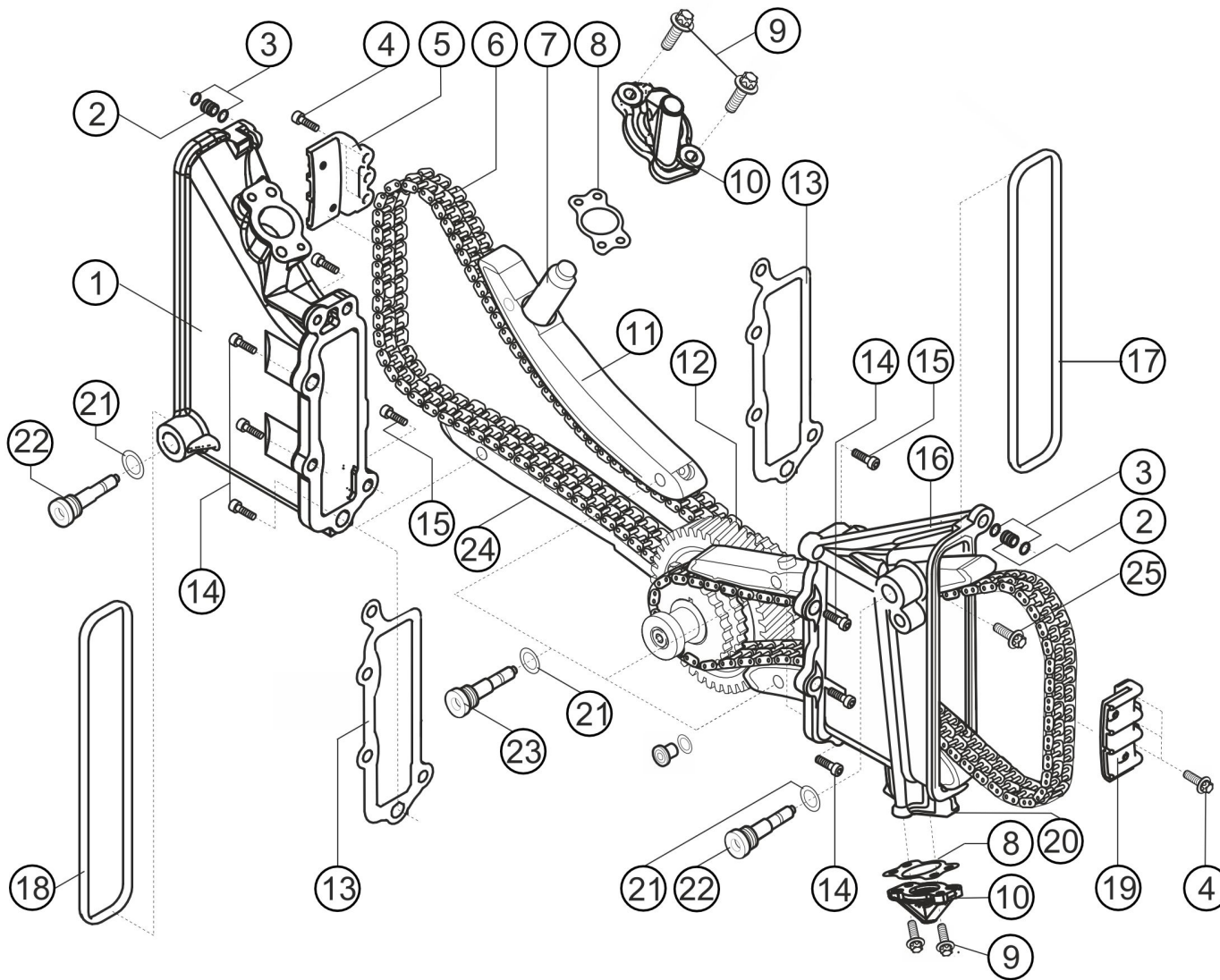
Item no.	Description	M	Pc.	Material
O.B.	O-RING 6,75x1,78N	X	2	99970149140
O.B.	O-RING 18,72X2,62N	X	2	99970713440
1	AS CAMSHAFT HOUSING CYL.4-6 RIGHT	X	1	99710504096
1	AS CAMSHAFT HOUSING CYL.1-3 LEFT	X	1	99710503996
2	HEXAGON-HEAD BOLT		18	90038504801
3	SEALING CAMSHAFT HOUSING		2	99610561393
4	SLEEVE		14	94410436100
5	SLEEVE		1	99610411750
6	FIXING BOLT A 4,0X8 I 2338 ST		2	90001207100
7	METAL PLUG 11,2		2	99950102430
8	LATCH PIN	X	2	9971057759A
9	HEXAGON SOCKET HEAD BOLT		2	90038505001
10	CLOSURE CAP		4	99610532970
11	SPACER RING	X	4	9971054298A
12	HEXAGON-HEAD BOLT		36	90038507101
13	PHASE SENSOR		1	99760610603
14	ROUND HEAD SCREW		1	99907310301
15	TORX SCREW		2	90038507201
16	HEXAGON-HEAD BOLT		1	90038511801
17	HEXAGON-HEAD BOLT		14	90038527001
18	PRESSURE SENSOR	X	1	9R460620500
19	ADAPTER PRESSURE SENSOR	X	1	9966063139A
20	HEXAGON-HEAD BOLT		1	90038504101

1.8 camshaft housing



Item no.	Description	M	Pc.	Material
21	HEXAGON NUT		1	90037701001
22	CLAMP		1	99951117701
23	SEALING RING A 10x16 D 7603 ALMGS11 F32		2	90012306630
24	ADAPTER 10x1	X	2	99910502630
25	AS PRESSURE LINE	X	1	9971107718A
26	ADAPTER PRESSURE SENSOR	X	1	9966063119D
27	SEALING RING 17,05X1,78N* FPM 70 SW		1	99970740440
28	TORX SCREW		1	90038500901
29	CLOSING FLANGE	X	1	9971057739A
30	O-RING		1	99970744640
31	TORX SCREW		2	90038511201
32	SHIELD CYL.1-3 LEFT		1	99710443590
32	SHIELD CYL.4-6 RIGHT		1	99710443690
33	HEXAGON-HEAD BOLT		4	90038504101
34	WASHER		4	90015100603

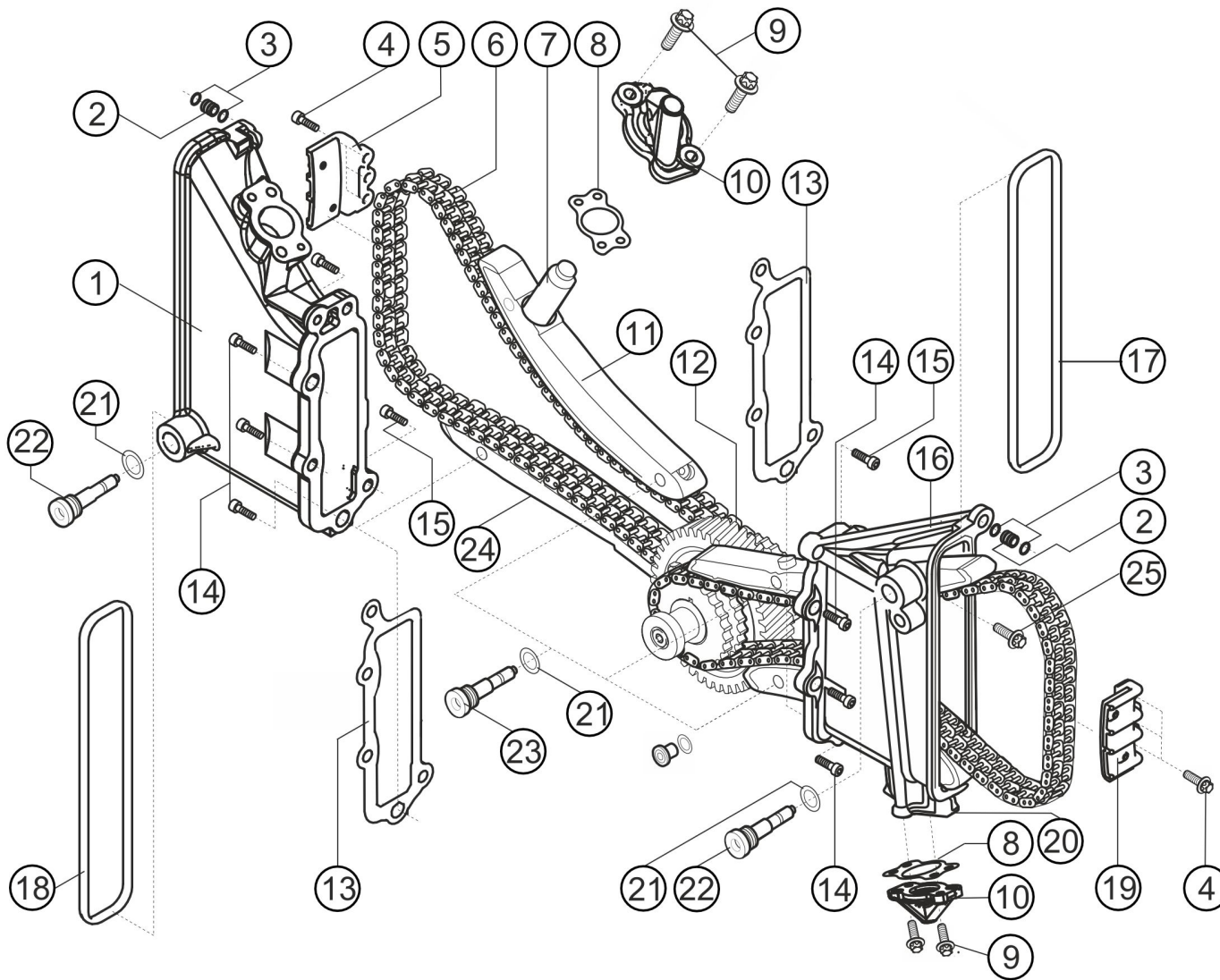
1.9 timing chain and chain case



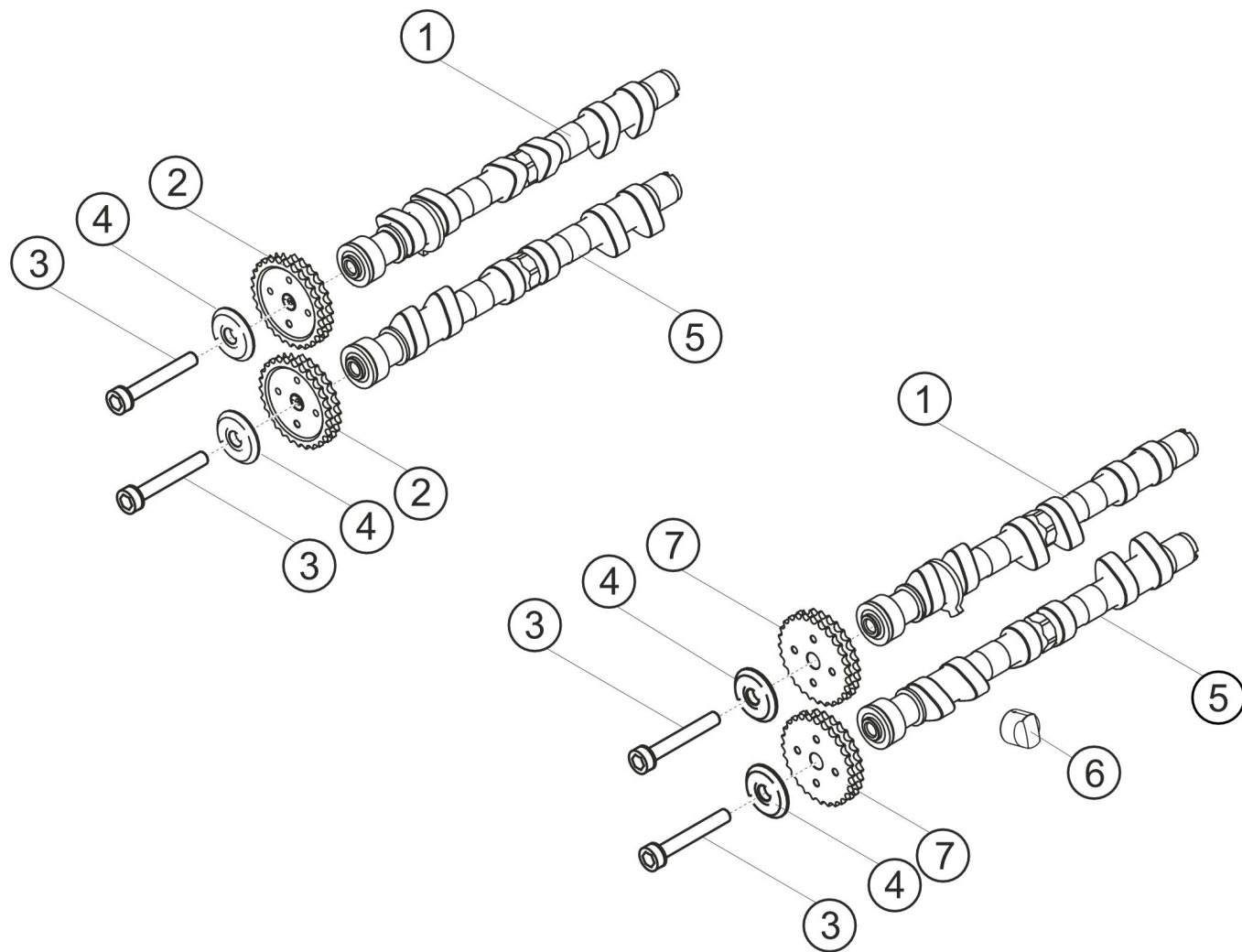
Item no.	Description	M	Pc.	Material
1	CHAIN HOUSING CYL.1-3		1	99710514370
2	INTERMEDIATE PIECE		2	99610522990
3	O-RING		4	99970761440
4	TORX SCREW		6	90038507201
5	AS DEFLECTING RAIL LH,CAM-SPROCKETS		1	99610503775
6	DUPLEX CHAIN	X	2	99710555190
7	AS CHAIN TENSIONER CYL.1-3		1	99710506170
8	CHAIN TENSIONER		2	99610517270
9	HEXAGON-HEAD BOLT		4	90038501901
10	AS LID		2	99310502201
11	TENSIONING RAIL		2	99610516571
12	SLIDE RAIL LH		1	99610516670
13	CHAIN-CASE SEALING		2	99610519271
14	SCREW M8X35 PN1644 8.8-S4-Y		4	90006727601
15	SCREW M8X30 PN1644 8.8-S4-Y		5	90006724701
16	CHAIN HOUSING CYL.4-6	X	1	99710514491
17	SEALING RIGHT		1	99610551472
18	SEALING LEFT		1	99610551372
19	AS DEFLECTING RAIL RH,CAM-WHEELS		1	99610503875
20	AS CHAIN TENSIONER CYL.4-6		1	99710506270
21	SEALING RING		6	90012315230
22	BEARING BOLT		2	99710517590
23	TENSIONER RAIL		4	96410517103

1.9 timing chain and chain case

Item no.	Description	M	Pc.	Material
24	SLIDE RAIL LH		1	99610516770
25	TORX SCREW		1	90038509801

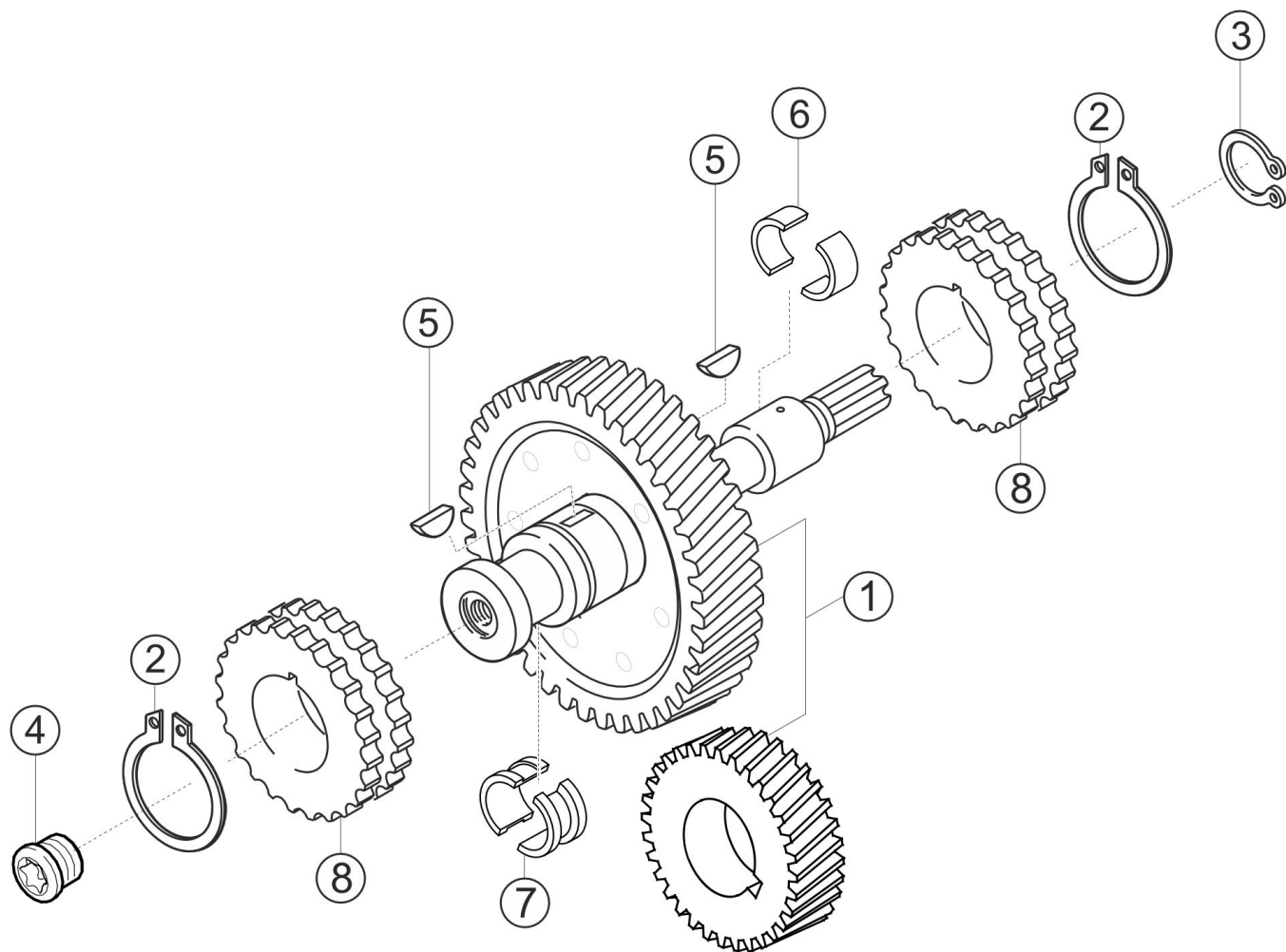


1.10 valve timing



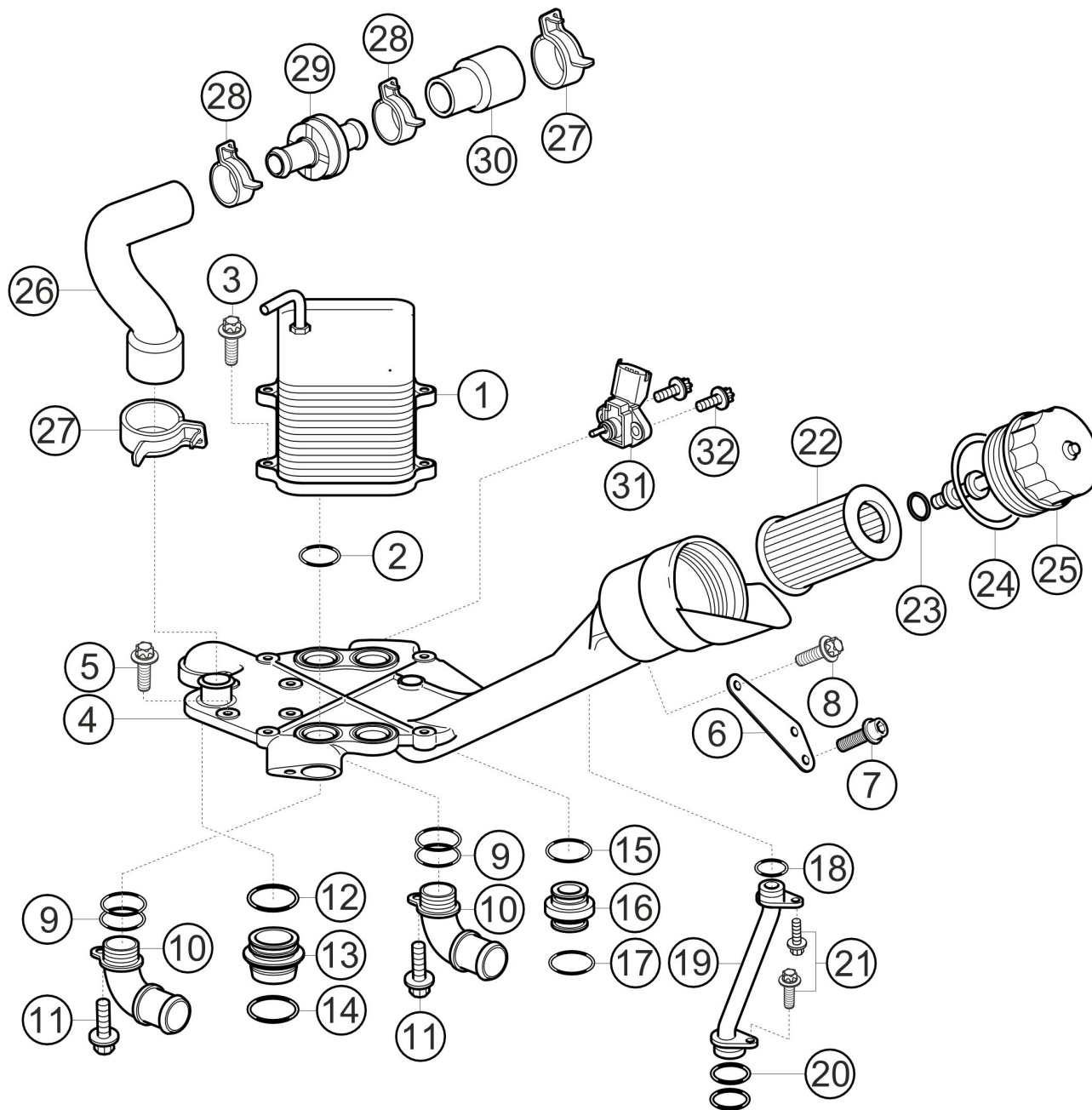
Item no.	Description	M	Pc.	Material
1	CAMSHAFT INTAKE	X	2	99610523698
2	CHAIN WHEEL EXHAUST,CYL.1-3		2	99610517772
3	FILLISTER SCREW EXHAUST CAM, CYL.1-3		4	99710531771
4	WASHER FIX.CHAIN WHEEL		4	99610564781
5	CAMSHAFT EXHAUST	X	2	99610524592
6	FLAT-TAPPET HYDRAULIC		24	9A110507100
7	CHAIN WHEEL EXHAUST,CYL.4-6		2	99610517872

1.11 auxiliary shaft



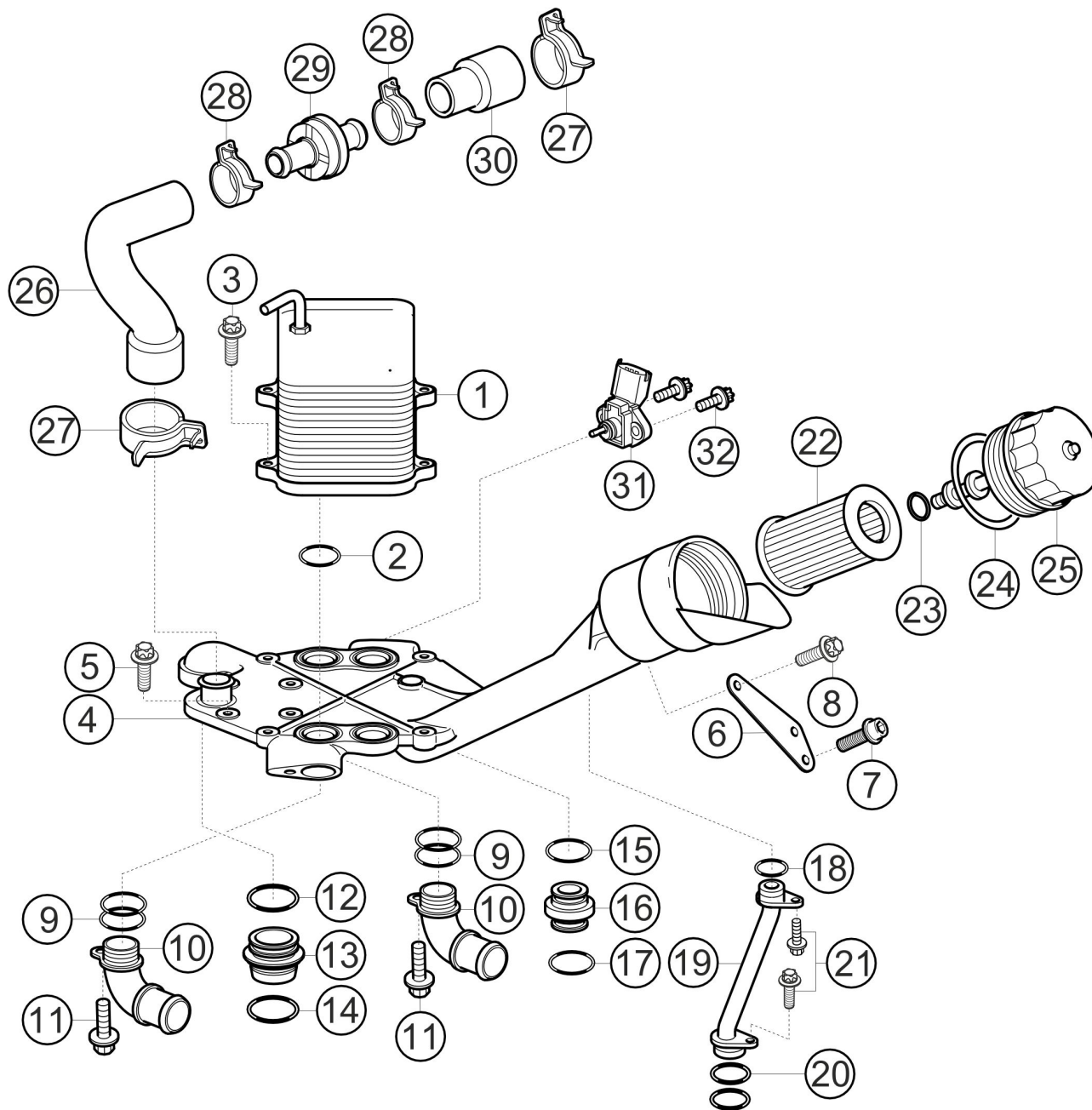
Item no.	Description	M	Pc.	Material
1	AS SPACER SHAFT	X	1	9971059318A
2	LOCK RING 36x1,75 DIN 471 FED-ST B110		2	90004102501
3	LOCK RING 13x1 DIN471 FED-ST B110		1	90004102601
4	INTERMEDIATE PIECE		1	99310527552
5	WOODRUF KEY 6,0X7,5 D 6888 ST60K		2	90011801000
6	BEARING SHELL SPACER SHAFT		2	99610143570
7	COLLAR BEARING		2	99610113780
8	SPROCKET Z=24	X	2	95910512501

1.12 heat exchanger console



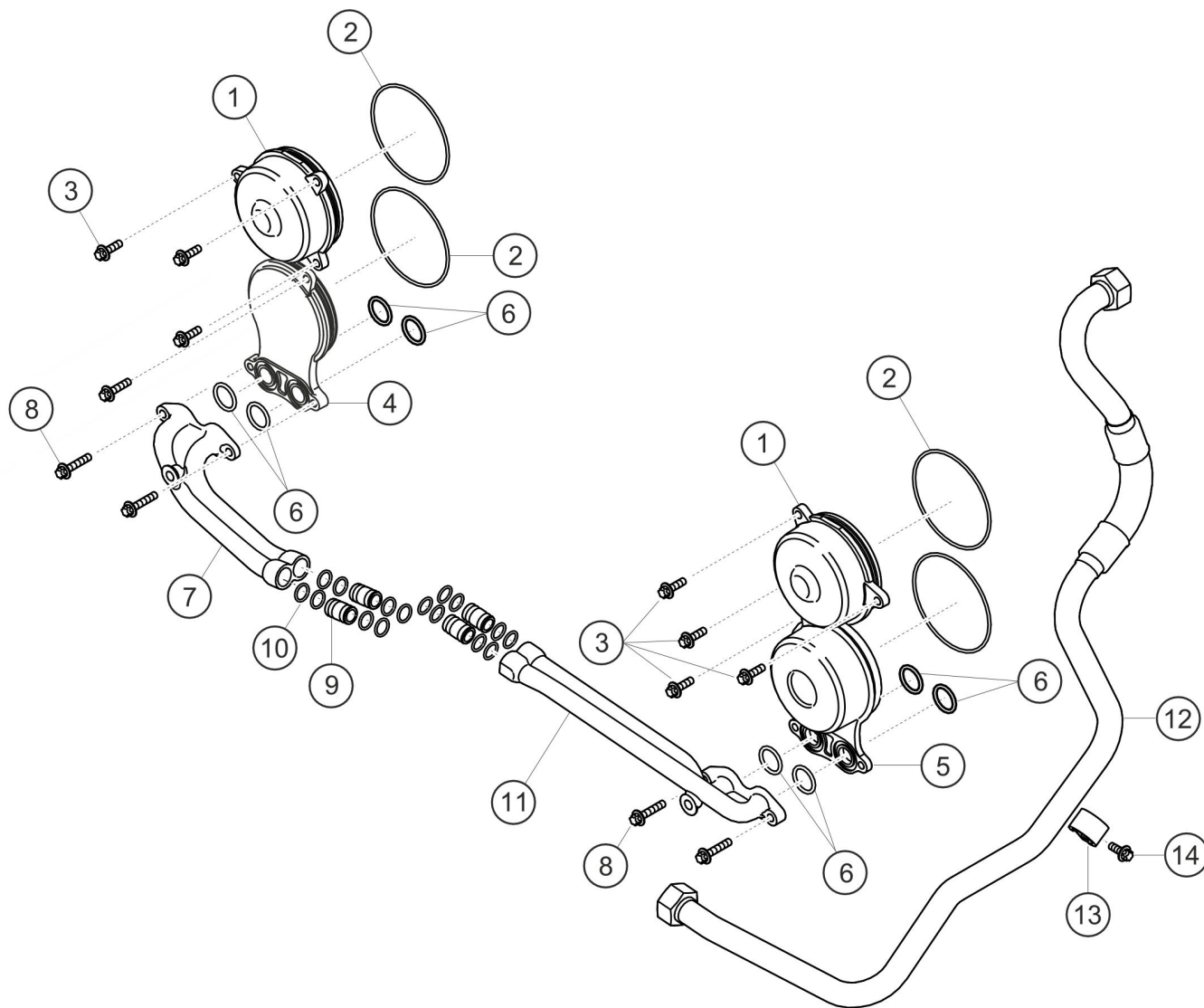
Item no.	Description	M	Pc.	Material
1	HEAT EXCHANGER OIL-WATER HEAT EXCH.	X	1	99710702592
2	O-RING		4	99970740941
3	TORX SCREW		4	90038500901
4	AS CONSOLE HEAT EXCHANGER	X	1	99710703391
5	HEXAGON-HEAD BOLT		4	90038527501
6	HOLDER OIL CONSOLE		1	99710730190
7	SCREW M8X16 PN1644 8.8-S4-Y		2	90006729101
8	TORX SCREW		1	90038500901
9	O-RING		4	99970747840
10	TUBE NECK CONSOLE,HEAT EXCH.		2	99710631372
11	TORX SCREW		2	90038500901
12	O-RING		1	99970742241
13	CONNECTING SLEEVE		1	99610744171
14	O-RING		1	99970742641
15	O-RING		1	99970711341
16	CONNECTING SLEEVE CONSOLE, HEAT EXCH.		1	99710745171
17	O-RING		1	99970711341
18	O-RING 12,00X2,0 N*PN 707 2/ FPM-70		1	99970178940
19	AS OIL PIPE OIL FILTER		1	99710731190
20	O-RING	X	2	99970134240
21	HEXAGON-HEAD BOLT		2	90038504101
22	OIL-FILTER INSERT		1	99610722553
23	O-RING		1	99970746540

1.12 heat exchanger console



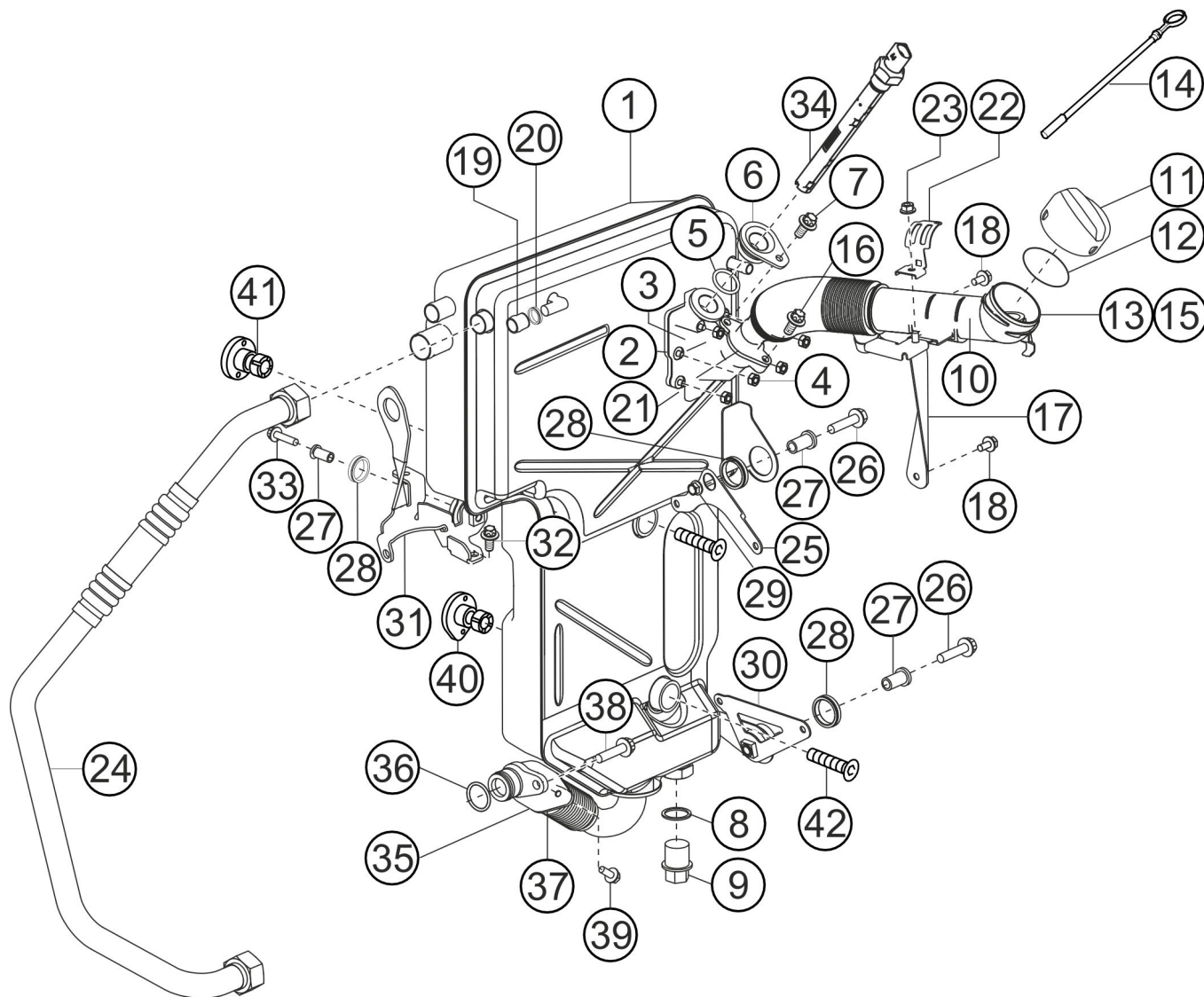
Item no.	Description	M	Pc.	Material
24	SEALING RING		1	99610731351
25	AS LID OIL FILTER		1	99610728570
26	MOLDED HOSE CC-VENTILATION		1	99720714391
27	HOSE CLAMP		2	99951266209
28	HOSE CLAMP		2	99951245500
29	NON-RETURN VALVE		1	99710749191
30	MOLDED HOSE CC-VENTILATION		1	99720714592
31	OIL PRESSURE SENSOR W. TEMPERATURE SENSOR		1	94860621300
32	HEXAGON-HEAD BOLT		2	90038501901

1.13 engine oil circuit



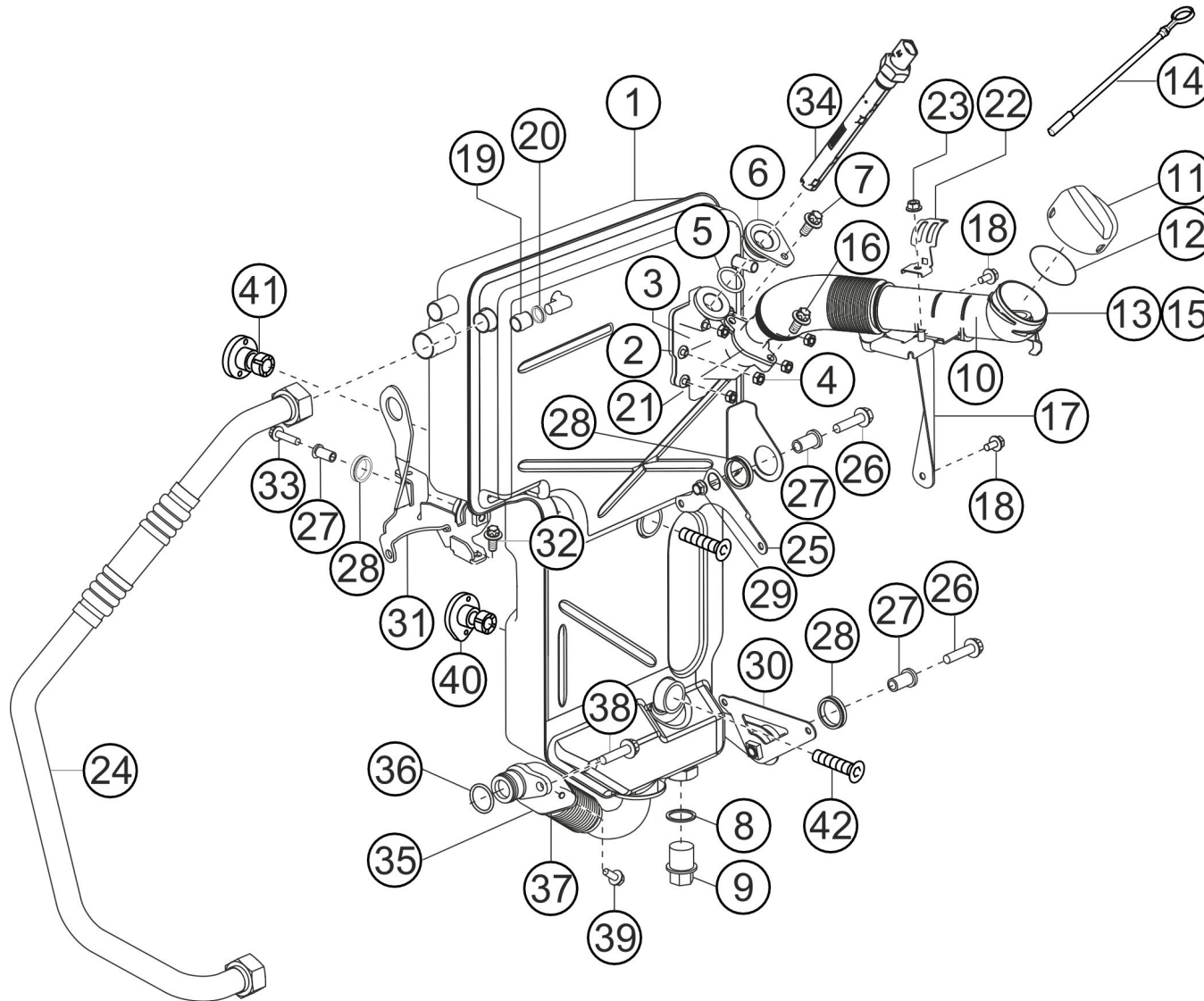
Item no.	Description	M	Pc.	Material
1	LID CAMSHAFT ACTUATOR		2	99710531571
2	O-RING	X	4	99970120840
3	HEXAGON-HEAD BOLT		6	90038501901
4	LID EXHAUST,CYL.1-3	X	1	99710551790
5	LID		1	99710551690
6	O-RING		4	99970749940
7	RETURN LINE CYL.1-3		1	99710735191
8	HEXAGON-HEAD BOLT		4	90038504801
9	AS CONNECTING SLEEVE		4	99710715390
10	O-RING		16	99970194840
11	RETURN LINE CYL.4-6		1	99710735291
12	AS RETURN LINE CYL. HEAD/OIL TANK	X	1	99710701994
13	SUPPORT		1	99951108001
14	TORX SCREW		1	90038500901

1.14 oil tank



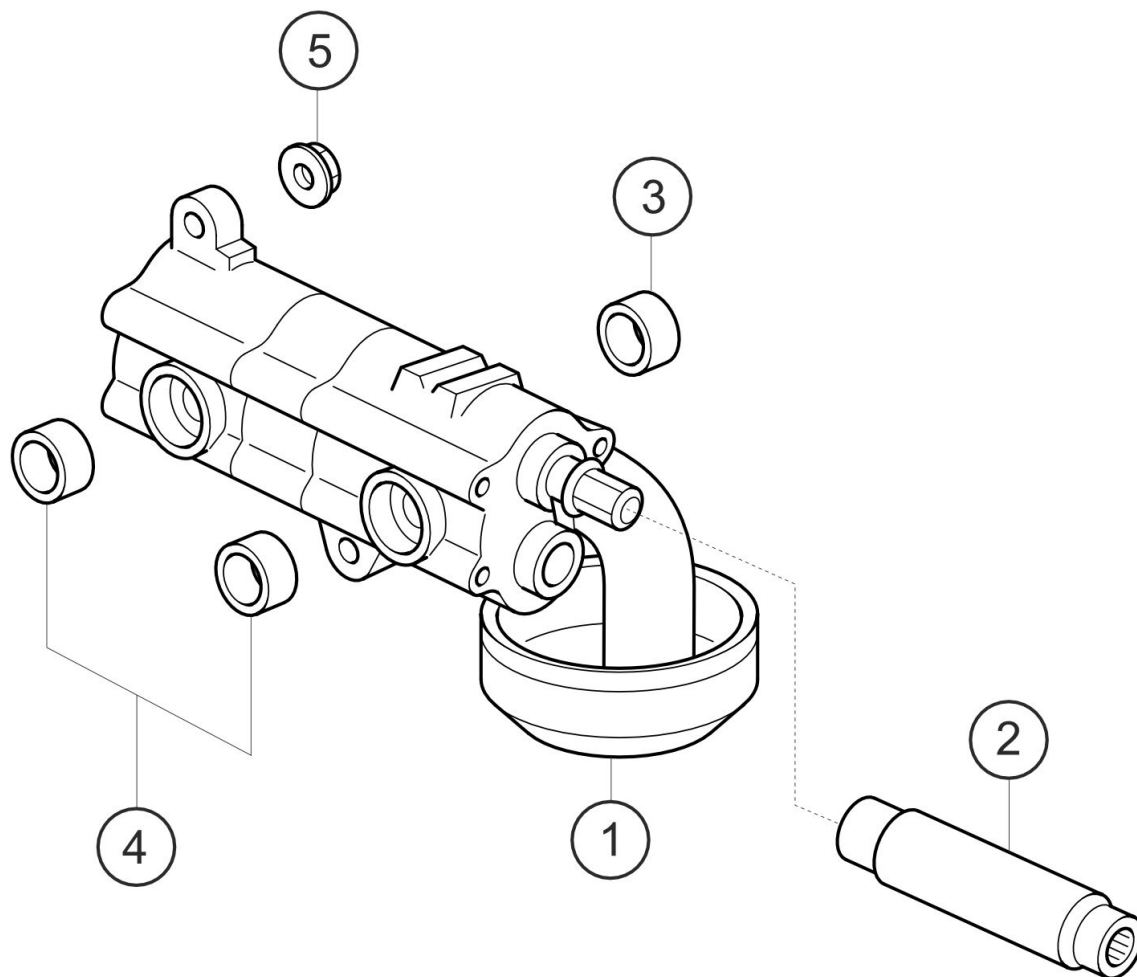
Item no.	Description	M	Pc.	Material
1	AS OIL TANK	X	1	99720707091
2	GASKET		1	99320722600
3	SPACER OIL FILLING PIPE	X	1	99620715090
4	HEXAGON NUT		6	90037700901
5	O-RING		1	99970734341
6	FLANGE		1	99620721270
7	HEXAGON-HEAD BOLT		1	90038527501
8	SEALING RING		1	90012301020
9	SCREW		1	90006501800
10	AS OIL FILLING PIPE		1	99620701670
11	AS CLOSURE CAP		1	99610703550
12	SEALING RING 51,00X4,5 N*PN 707 2/FPM 70 RT		1	99970728541
13	RETAINING CLIP		1	99620723371
14	AS OIL DIPSTICK	X	1	99720723191
15	GUIDING TUBE OIL DIPSTICK		1	99620703190
16	HEXAGON SOCKET HEAD BOLT		1	90038505001
17	AS HOLDER OIL FILLING PIPE	X	1	99720721697
18	HEXAGON-HEAD BOLT		2	90038504101
19	RUBB.CLOSURE CAP		1	93011025602
20	CLIP		1	99951268609
21	O-RING		1	99970748140
22	RETAINING CLIP OIL FILLING PIPE		1	99720729390
23	HEXAGON NUT		1	90037701001

1.14 oil tank



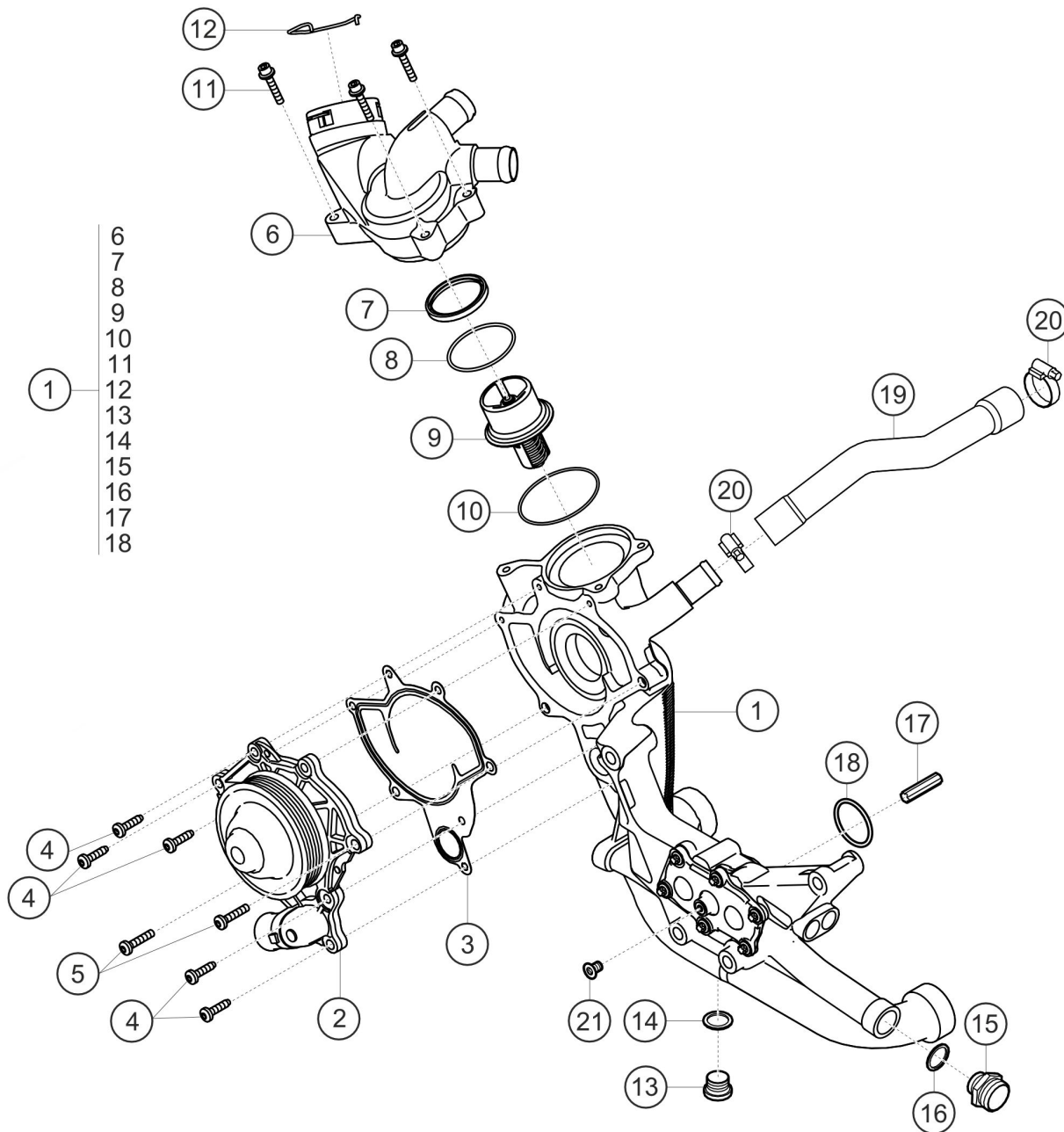
Item no.	Description	M	Pc.	Material
24	AS RETURN LINE CRANKCASE	X	1	9971070278E
25	SUSPENSION UPPER		1	99720742190
26	TORX SCREW		2	90038504201
27	SPACER SLEEVE		3	99920903701
28	RUBBER GROMMET 12,2X24,0X6,0 EPDM G70PN705		3	99970219340
29	HEXAGON NUT		1	99908421001
30	SUSPENSION OIL TANK,BOTTOM	X	1	99720741790
31	TRANSPORTATION LUG		1	99710125173
32	HEXAGON-HEAD BOLT M8x20 EN1665 8.8 26B1		1	90037801701
33	TORX SCREW		1	90038511601
34	OIL-LEVEL SENSOR		1	99660614000
35	OIL SUCTION TUBE W.NON- RETURN VALVE		1	99620711273
36	O-RING		1	99970731641
37	SEALING RING		1	99970736441
38	TORX SCREW		1	90038500101
39	TORX SCREW		1	90038500901
40	CRASH PROTECTION OIL TANK, BOTTOM		1	99620720673
41	CRASH PROTECTION OIL TANK, TOP		1	99620720773
42	COUNTERSUNK-HEAD SCREW		2	90024906101

1.15 oil pump



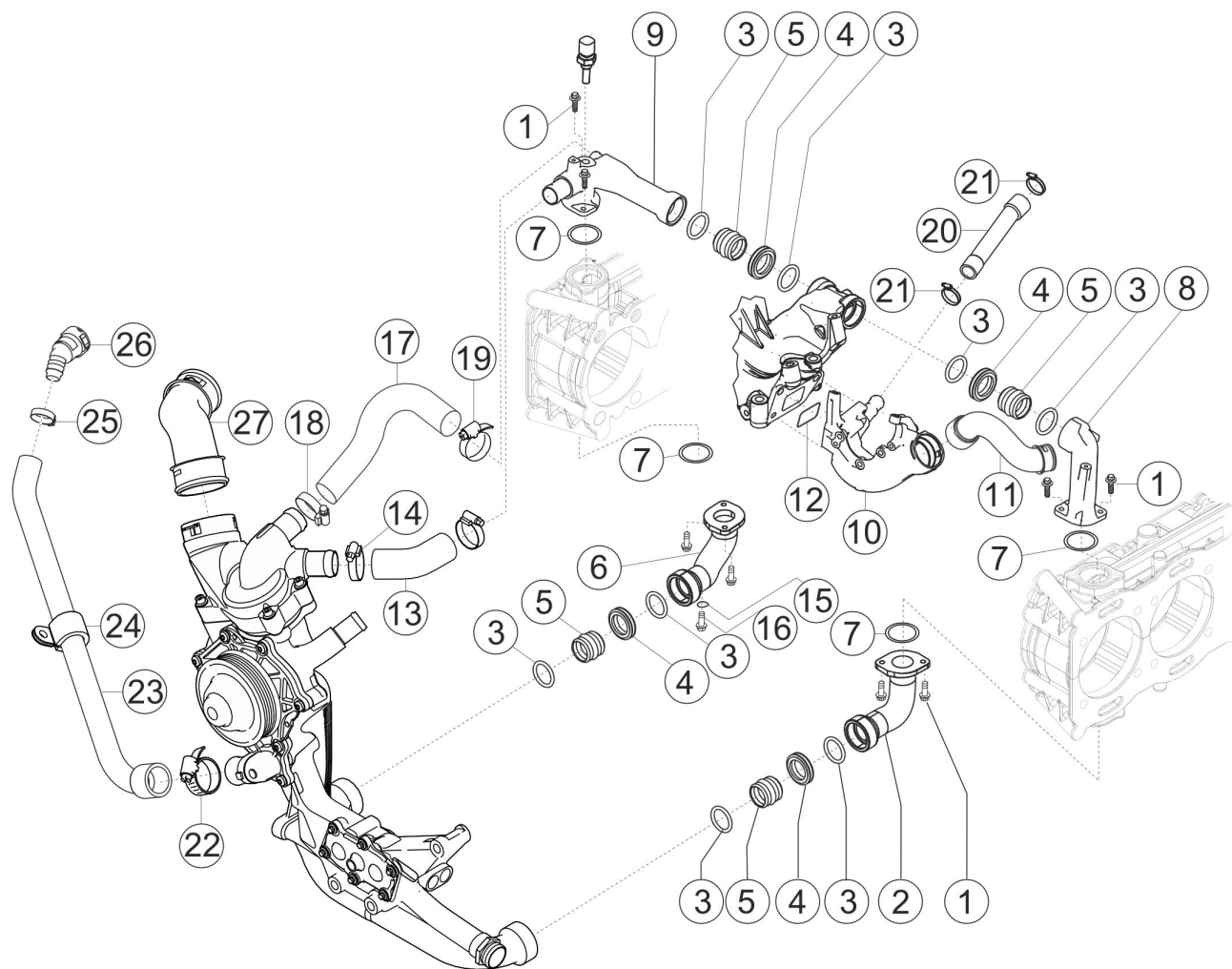
Item no.	Description	M	Pc.	Material
1	AS OIL PUMP		1	99610700794
2	CONNECTING SHAFT		1	93010714303
3	SEALING RING 19,5X26X8,5 FPM-C65 PN705		1	99970417350
4	SEALING RING 16,3X22X9,5 FPM-C65 PN705		2	99970417250
5	HEXAGON NUT		3	90038000501

1.16 water- and oil suction pump



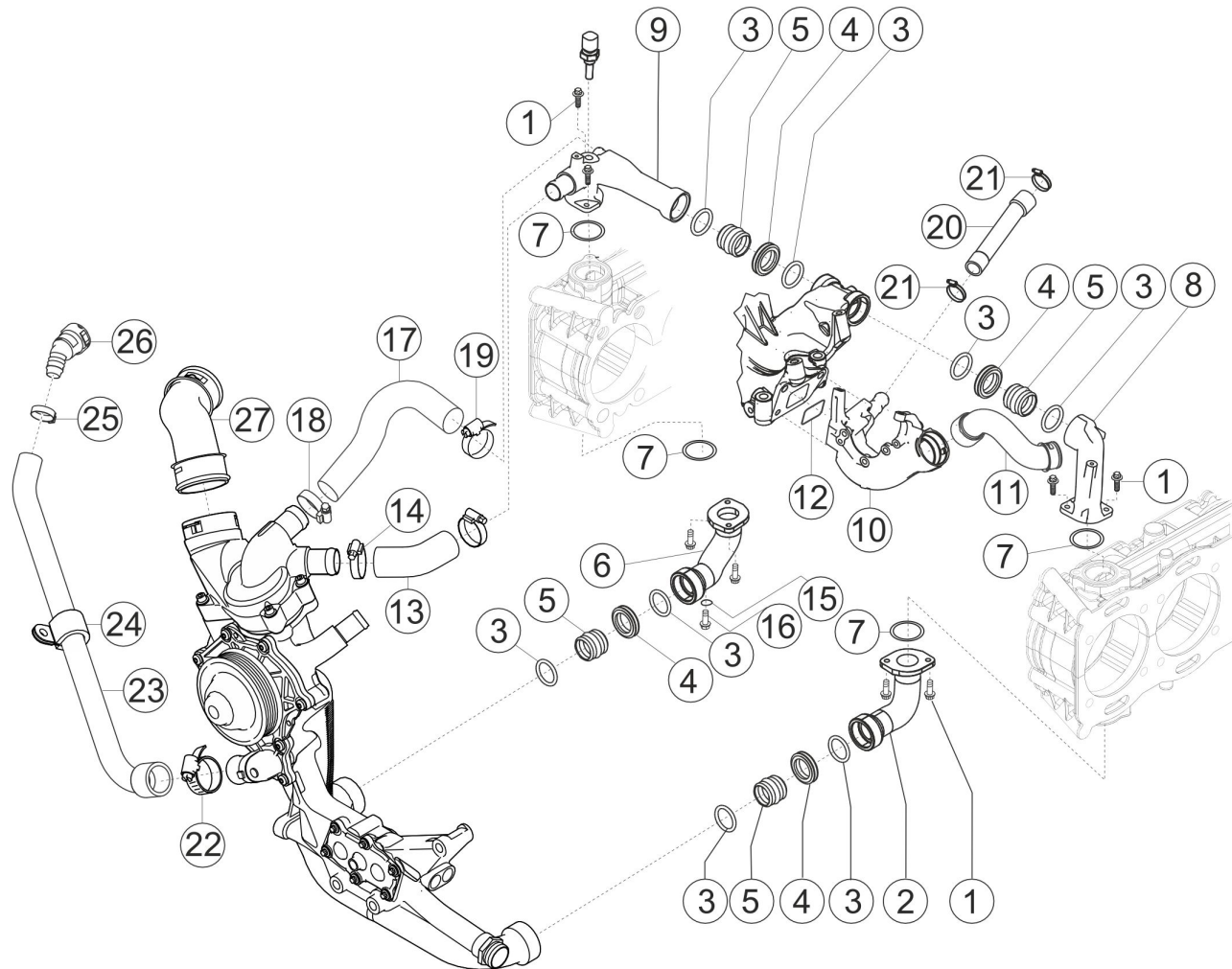
Item no.	Description	M	Pc.	Material
1	AS WATER PUMP HEAD SUC.PUMP, CPL.	X	1	99710601794
2	AS WATER PUMP		1	99710601171
3	SEALING WATER PUMP		1	99710634090
4	ROUND HEAD SCREW		5	99907310201
5	ROUND HEAD SCREW		2	99907311001
6	AS THERMOSTAT HOUS.		1	99710611991
7	SEALING RING THERMOSTAT		1	9A110655800
8	O-RING		1	99970762540
9	THERMOSTAT	X	1	9A110622594
10	O-RING		1	99970114540
11	COMBINATION SCREW		3	90006731601
12	LATCHING SPRING COUPLING BY HENN CO.		1	99710680203
13	ALUM.SCREW PLUG M18X1,5 DIN908 AL3		1	90021900930
14	SEALING RING A 18x24 D 7603 AL		1	90012310630
15	CONNECTION PIECE		1	99913604401
16	ALUM.SEALING-RING 22X27 D 7603 ALMGS11 F28		1	90012301130
17	DRIVE SHAFT OIL SUCT.PUMP,CYL. HD		1	99710725290
18	O-RING		1	99970731541
19	COOLANT HOSE SUPPLY/HEAT EXCH.		1	99710647790
20	HOSE CLAMP RIGHT		2	99951255201
21	COUNTERSUNK-HEAD SCREW		1	99907301301

1.17 engine water circuit



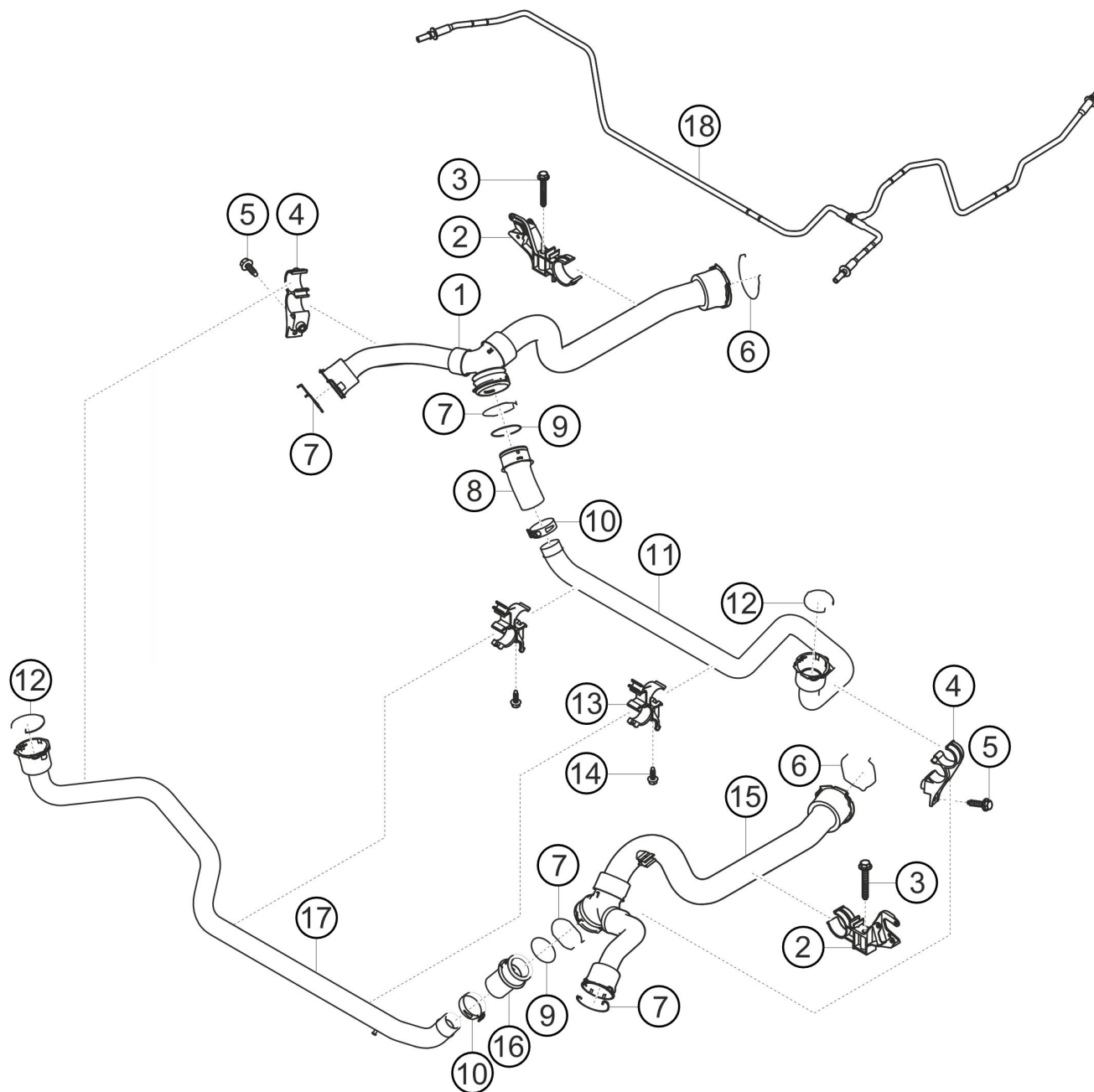
Item no.	Description	M	Pc.	Material
1	HEXAGON-HEAD BOLT		8	90038501901
2	SOCKET RIGHT		1	99610614071
3	RING		8	99970741140
4	DUST PROTECTION RING		4	99610621470
5	CONNECTING TUBE		4	99610623871
6	SOCKET LEFT		1	99610613971
7	RING		4	99970741040
8	WATER NECK CYL.4-6		1	99710644070
9	AS WATER NECK CYL.1-3		1	99710603990
10	AS PUMP SUPPORT STEERING PUMP		1	99711509173
11	COOLANT HOSE SUPPLY		1	99710650101
12	RING		1	99970729840
13	WATER HOSE BYPASS CIRCUIT		1	99710652990
14	HOSE CLAMP LEFT		2	99951255101
15	SEALING RING A 10x13,5 D 7603 AL F12		2	90012314430
16	SCREW PLUG		2	90021900701
17	WATER HOSE HEATING,RETURN	X	1	99710651492
18	HOSE CLAMP LEFT		1	99951255101
19	HOSE CLAMP RIGHT		1	99951255201
20	COOLANT HOSE RETURN/HEAT EXCH.		1	99710632872
21	HOSE CLAMP RIGHT		2	99951255201
22	HOSE CLAMP LEFT		1	99951255101
23	FILLING HOSE ENGINE-RELATED	X	1	99710625090

1.17 engine water circuit



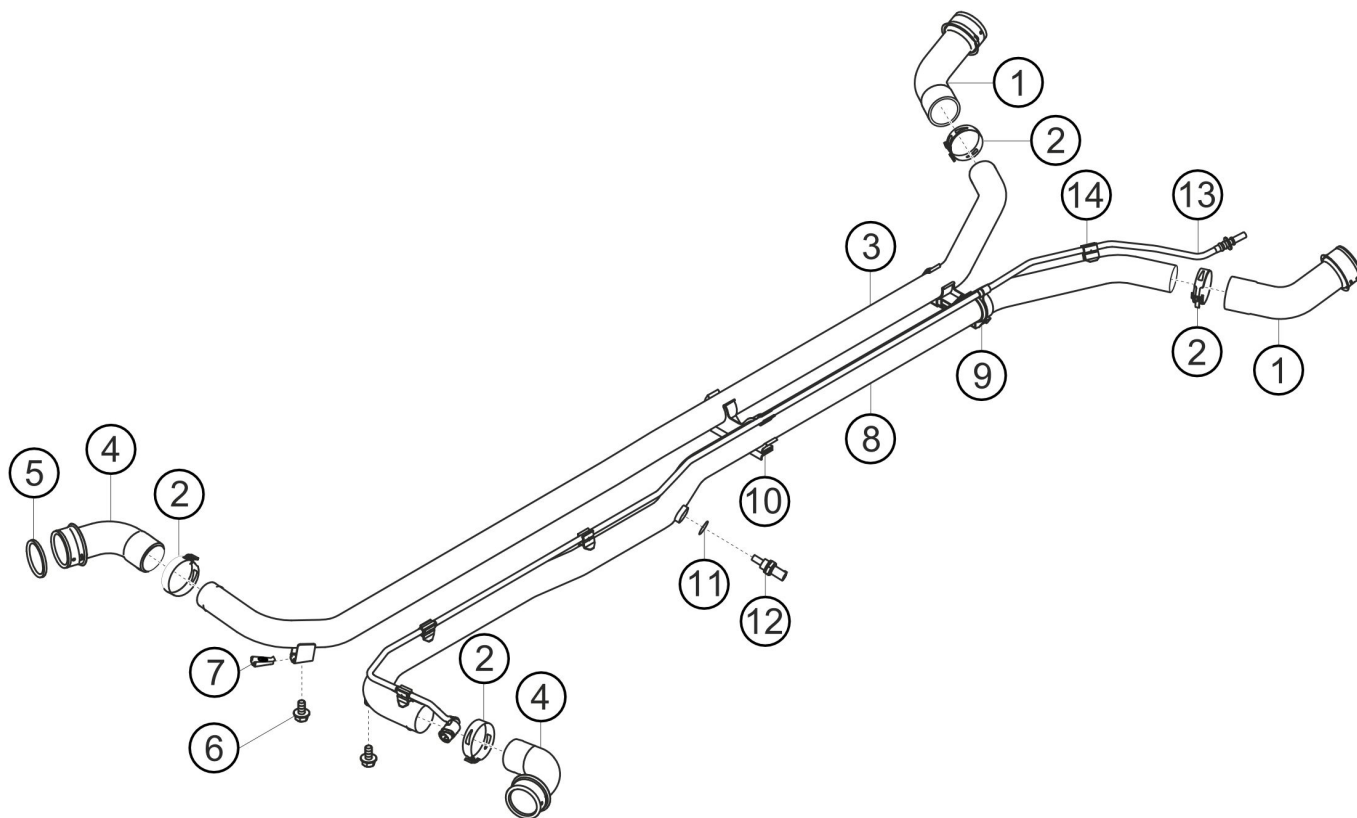
Item no.	Description	M	Pc.	Material
24	CLIP 28x15		1	99951108702
25	HOSE CLAMP		1	99951245500
26	CLUTCH	X	1	9971066758A
27	COOLANT HOSE RETURN	X	1	99710650291

1.18 front water circuit



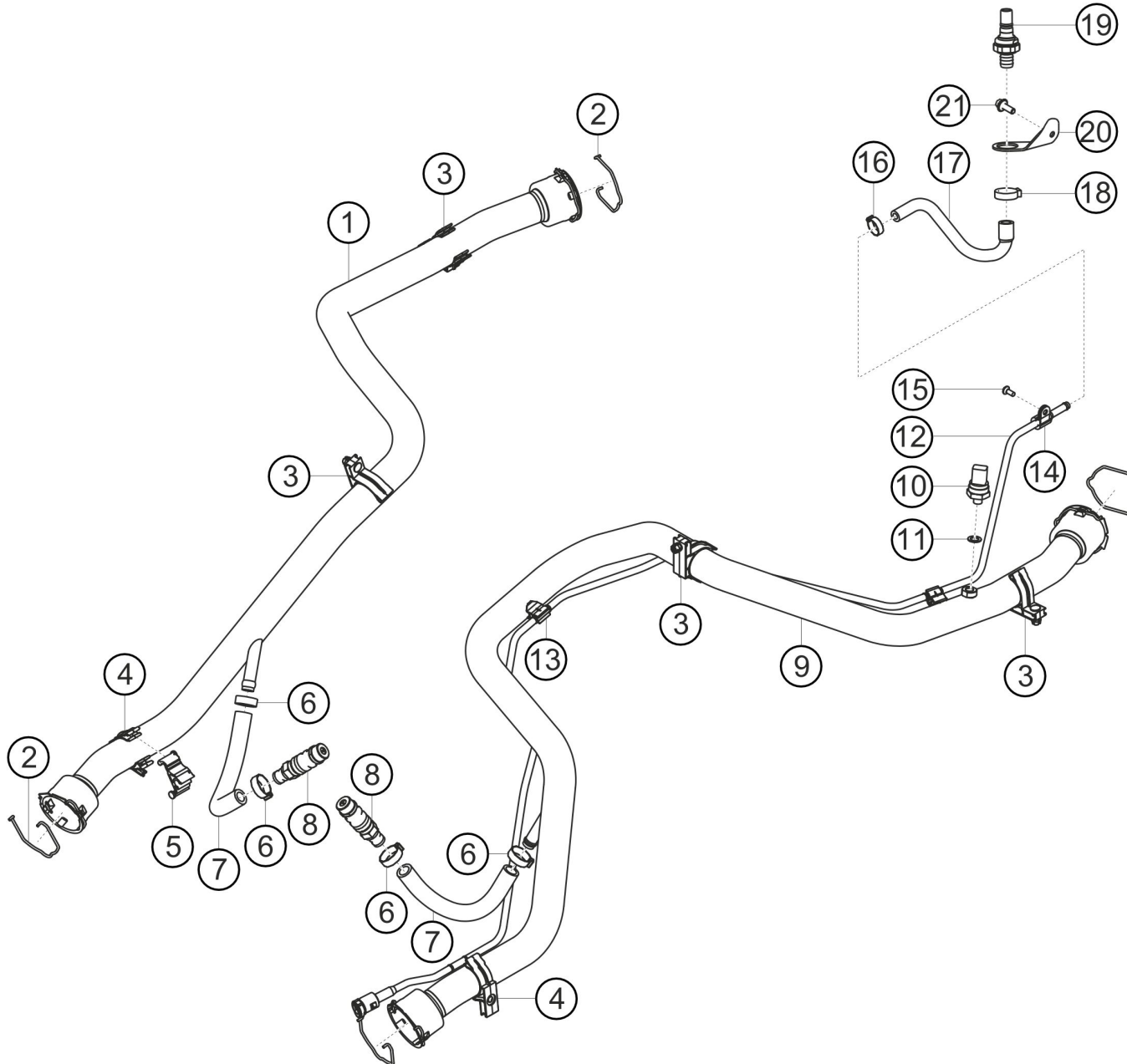
Item no.	Description	M	Pc.	Material
1	DISTRIBUTOR TUBE RIGHT		1	99110675203
2	SUPPORT		2	99110641303
3	HEXAGON-HEAD BOLT		2	90037827001
4	SUPPORT		2	99110652502
5	HEXAGON-HEAD BOLT		2	90037814101
6	LATCHING SPRING COUPLING BY HENN CO.		2	99710680203
7	LATCHING SPRING COUPLING BY HENN CO.		4	99710680201
8	WATER HOSE		1	99110672400
9	O-RING		2	99610680102
10	HOSE CLAMP		2	99951266409
11	CROSS TUBE		1	99110671102
12	LATCHING SPRING COUPLING BY HENN CO.		2	99710680201
13	SUPPORT CROSS TUBE		2	99110652702
14	HEXAGON-HEAD BOLT		2	90037817301
15	AS DISTRIBUTOR TUBE LH	X	1	9911067519C
16	WATER HOSE		1	99110672300
17	CROSS TUBE		1	99110672002
18	VENT LINE TRANSVERSE		1	99110676703

1.19 mid water circuit



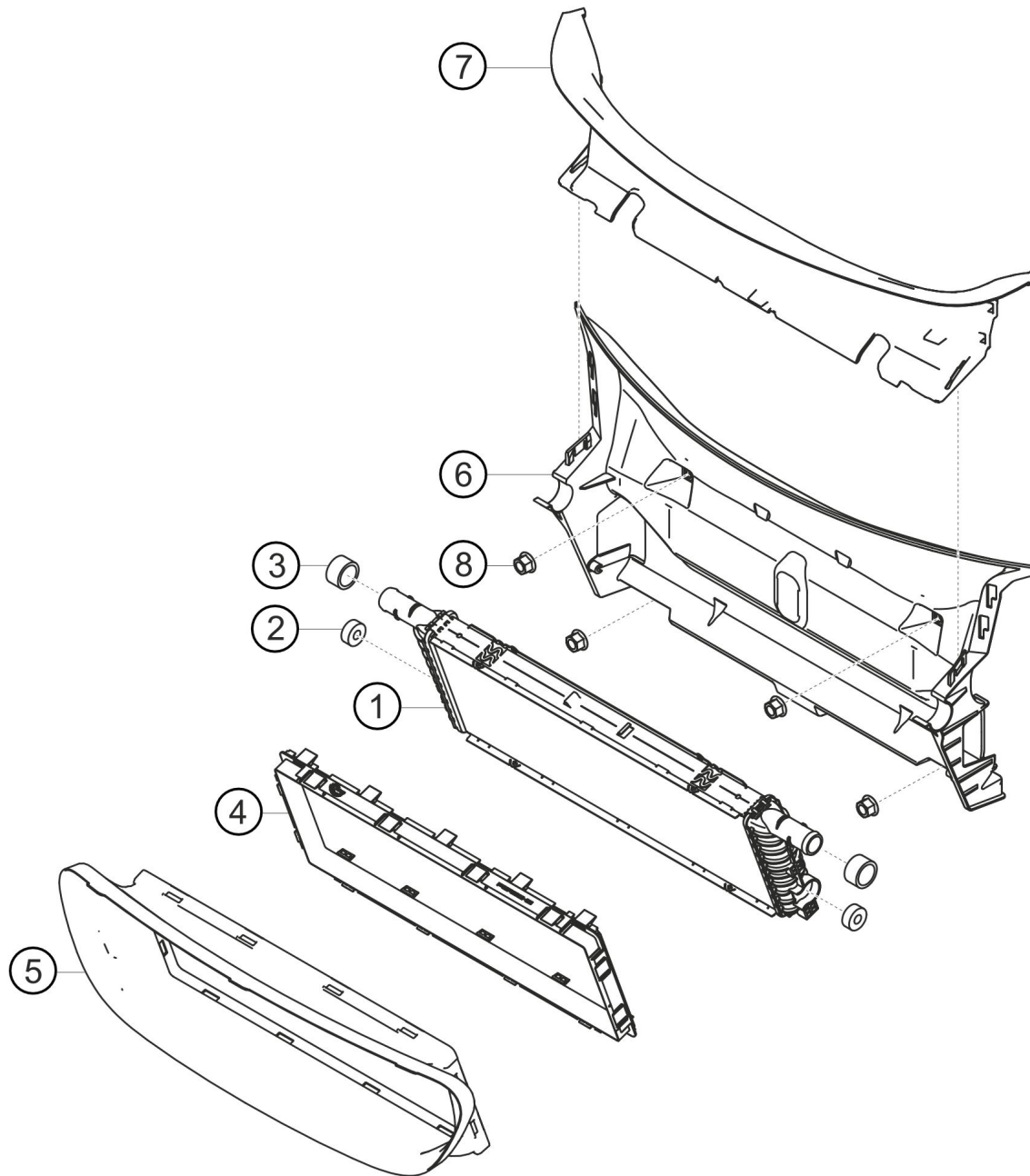
Item no.	Description	M	Pc.	Material
1	WATER HOSE		2	99110674001
2	HOSE CLAMP		4	99951266709
3	COOLING WATER TUBE SUPPLY		1	99110665102
4	WATER HOSE		2	99110655101
5	RUBBER O-RING		4	99610680103
6	HEXAGON-HEAD BOLT		2	90037815501
7	SPEED NUT		2	99950724601
8	COOLING WATER TUBE RETURN LINE		1	99110665202
9	SUPPORT WATER TUBE		1	99110654101
10	SUPPORT		1	99110654001
11	SEALING RING		1	90012311121
12	TEMPERATURE SENSOR COOLANT		1	94860642000
13	VENT LINE		1	99110622703
14	SUPPORT		4	99110651202

1.20 rear water circuit



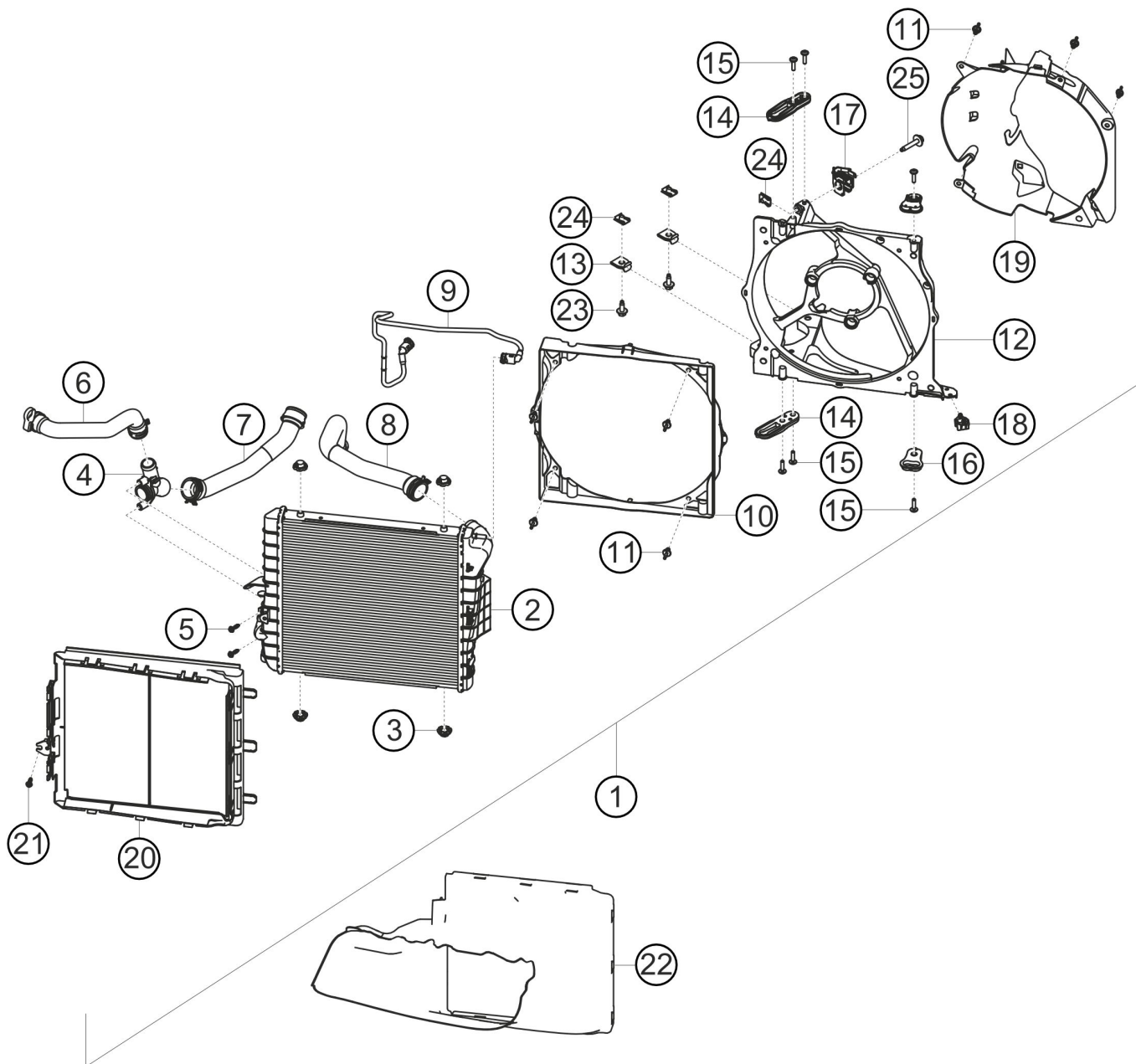
Item no.	Description	M	Pc.	Material
1	COOLANT PIPE SUPPLY	X	1	9911066109A
2	LATCHING SPRING COUPLING BY HENN CO.		4	99710680203
3	HOLDER WATER PIPE		4	99110641502
4	SUPPORT WATER TUBE		2	99110641703
5	HOLDER	X	6	9911064189A
6	CLAMPING CLIP 18,2-21,0 X5CRNI18-10		4	99951245700
7	HOSE	X	2	9911067619A
8	QUICK COUPLING RIGHT	X	2	9971068869A
9	COOLANT PIPE RETURN	X	1	9911068099A
10	PRESSURE SENSOR	X	1	99760620390
11	SEALING RING A 10x13,5 D 7603 AL F12		1	90012314430
12	VENT LINE REAR END	X	1	9911066819A
13	SUPPORT		3	99110651202
14	CLAMP D1 8X15 D 3016 W1/CR C350		1	99951115302
15	SCREW FILL. HD		1	99991912109
16	CLAMP		1	99951256801
17	COOLANT HOSE	X	1	99710668793
18	CLAMPING CLIP 18,2-21,0 X5CRNI18-10		1	99951245700
19	QUICK COUPLING LEFT	X	1	9971068859A
20	HOLDER SEPARATOR	X	1	9911063838A
21	HEXAGON-HEAD BOLT		1	90037831701

1.21 mid radiator



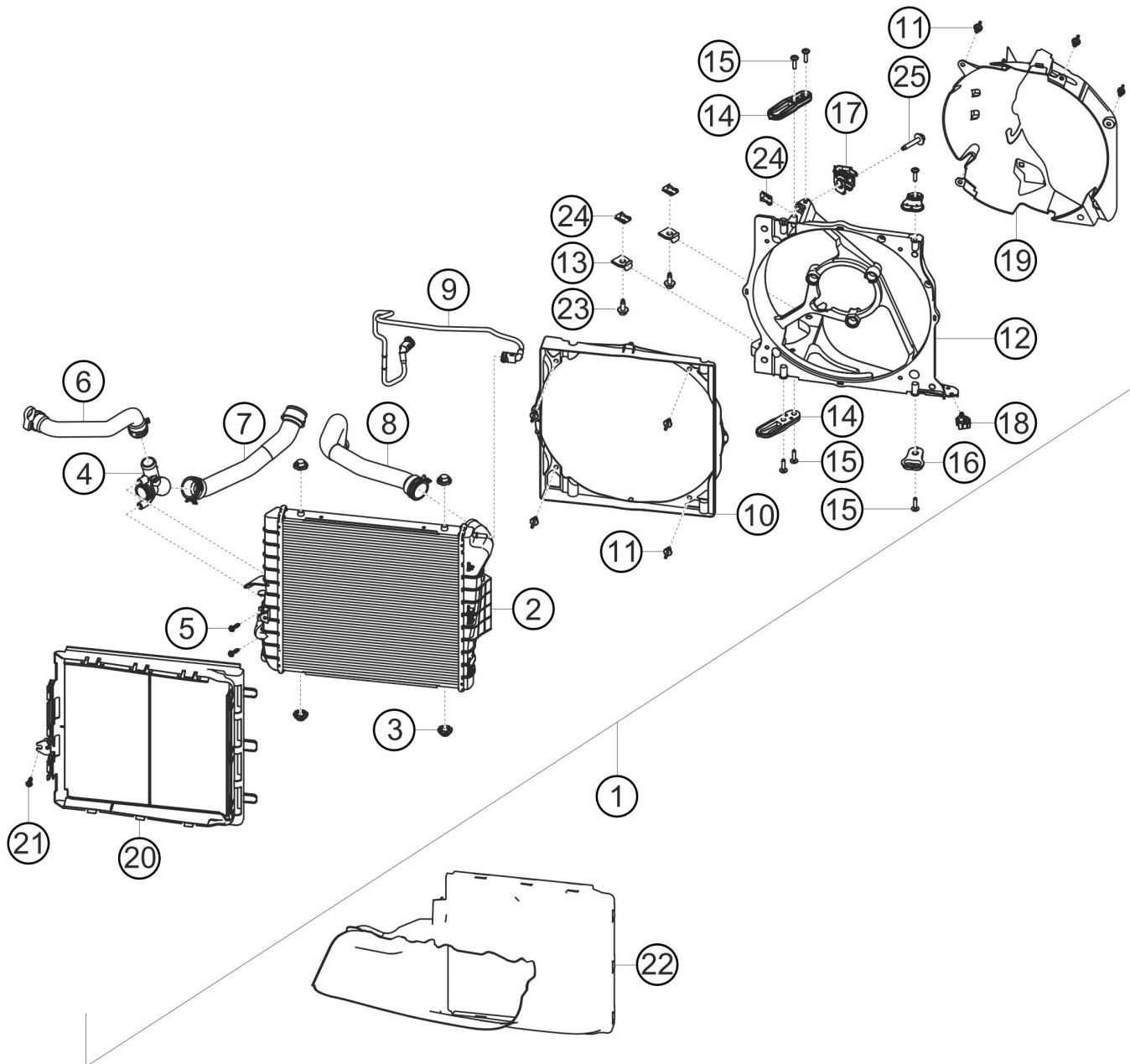
Item no.	Description	M	Pc.	Material
1	AS RADIATOR CENTER	X	1	99110603890
2	RUBBER MOUNT LOWER		2	99110653802
3	RUBBER MOUNTING UPPER		2	99110653701
4	SEALING FRAME		1	99110633801
5	AIR ROUTING		1	991575141901E0
6	AS RADIATOR FRAME		1	991504487901E0
7	AS EXHAUST AIR GUIDE		1	991504489901E0
8	HEXAGON NUT		4	99908463801

1.22 side mounted radiators



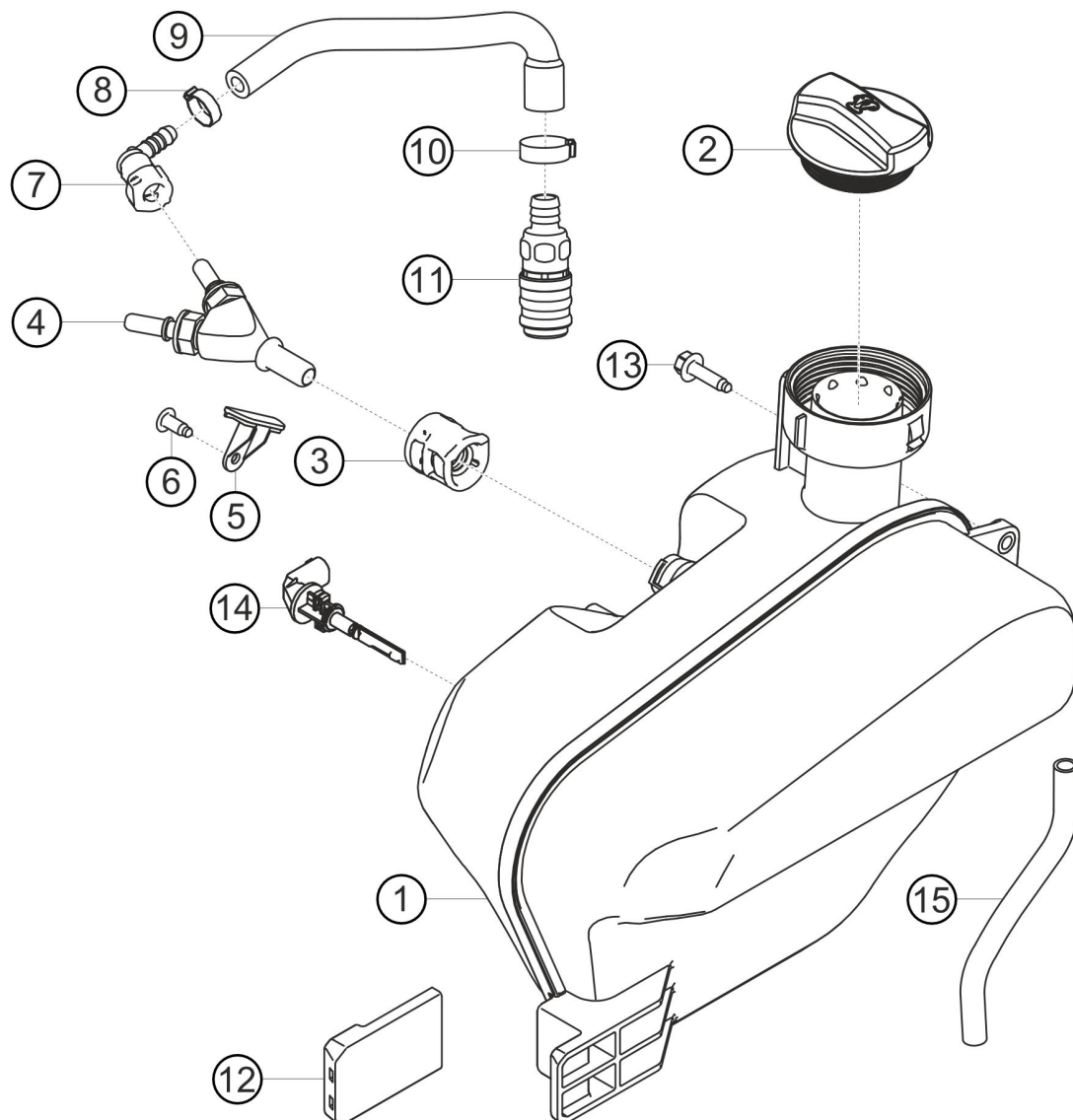
Item no.	Description	M	Pc.	Material
1	AS RADIATOR MODULE LH	X	1	9911060438A
1	AS RADIATOR MODULE RH	X	1	9911060448A
2	REFRIGERANT COOLER LH		1	99110614101
2	REFRIGERANT COOLER RH		1	99110614201
3	RUBBER MOUNT RADIATOR		4	99110633101
4	DISTRIBUTOR		1	99110624500
5	SREW 7,0X20		2	99991929201
6	COOLANT HOSE LEFT		1	99110664981
6	COOLANT HOSE RIGHT		1	99110664881
7	COOLANT HOSE RIGHT		1	99110663601
7	COOLANT HOSE LEFT		1	99110663501
8	COOLANT HOSE RIGHT		1	99110663201
8	COOLANT HOSE LEFT		1	99110663101
9	VENT LINE LEFT		1	99110686501
9	VENT LINE RIGHT		1	99110686601
10	INTERMEDIATE FRAME		1	99110624101
11	EXPANSION RIVET		9	99959152540
12	CONSOLE RIGHT		1	99110616601
12	CONSOLE LEFT		1	99110616501
13	CLAMP		2	99110635503
14	HOLDER RIGHT		2	99110624201
15	SCREW		6	99991925801
16	HOLDER LEFT		2	99110624301

1.22 side mounted radiators



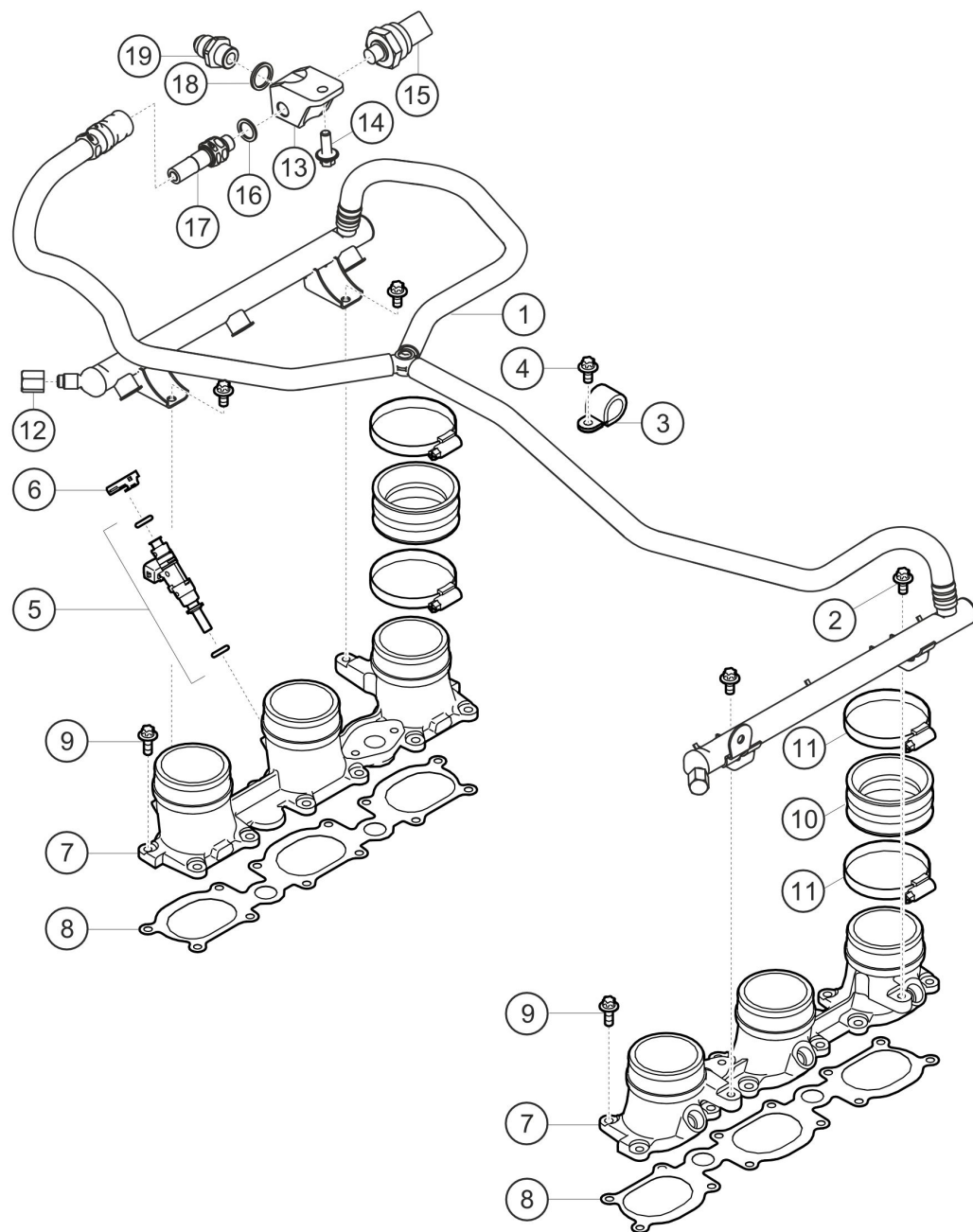
Item no.	Description	M	Pc.	Material
17	CAP		1	99110625502
18	SPACER		1	99110675502
19	EXHAUST AIR GUIDE RH		1	99110635201
19	EXHAUST AIR GUIDE LH		1	99110635101
20	SEALING FRAME		1	99157371104
21	HEXAGON-HEAD BOLT		1	99991913309
22	AIR ROUTING LEFT		1	991575321901E0
22	AIR ROUTING RIGHT		1	991575322901E0
23	HEXAGON-HEAD BOLT		2	99907204801
24	SPEED NUT		3	99959186903
25	HEXAGON-HEAD BOLT AM8X50-U-WV60429 8.8-S14-L *		1	N 10572802

1.23 water expansion tank



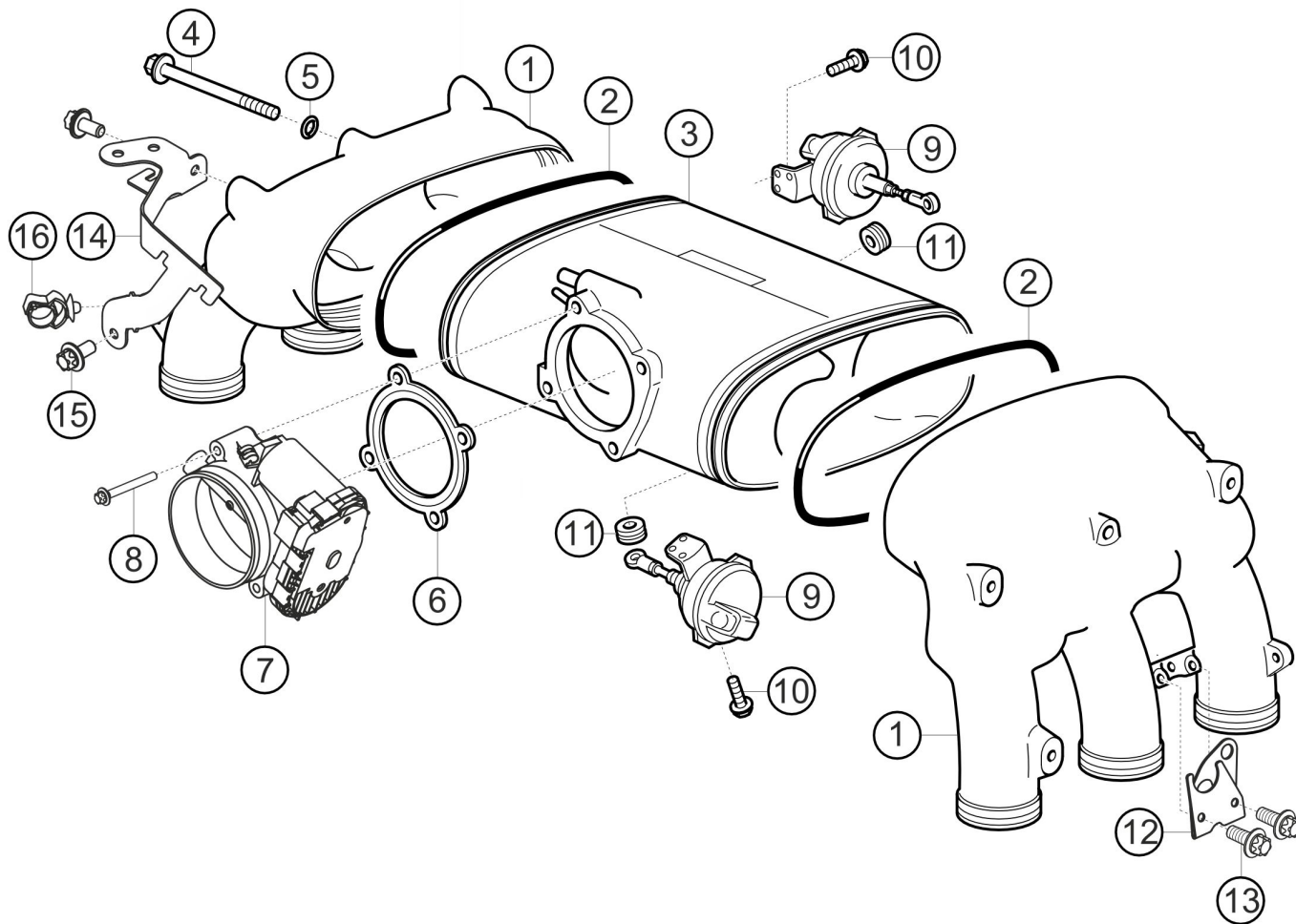
Item no.	Description	M	Pc.	Material
1	EQUALIZING TANK COOLANT		1	99110615704
2	LID		1	99110645701
3	CLUTCH		1	99923059540
4	DISTRIBUTOR	X	1	9911066718B
5	SUPPORT BLEEDER VALVE		1	99110644901
6	OVAL-HEAD SCREW		1	99991916401
7	QUICK COUPLING	X	1	9971068638A
8	CLAMP		1	99951256801
9	COOLANT HOSE	X	1	99710668793
10	CLAMPING CLIP 18,2-21,0 X5CRNI18-10		1	99951245700
11	QUICK COUPLING RIGHT	X	1	9971068869A
12	RUBBER HOLDER		1	99110635701
13	HEXAGON-HEAD BOLT		1	90037831701
14	SENSOR WATER RESERVOIR COOLANT		1	97060650300
15	OVERFLOW HOSE		1	99110629700

1.24 fuel distribution tank



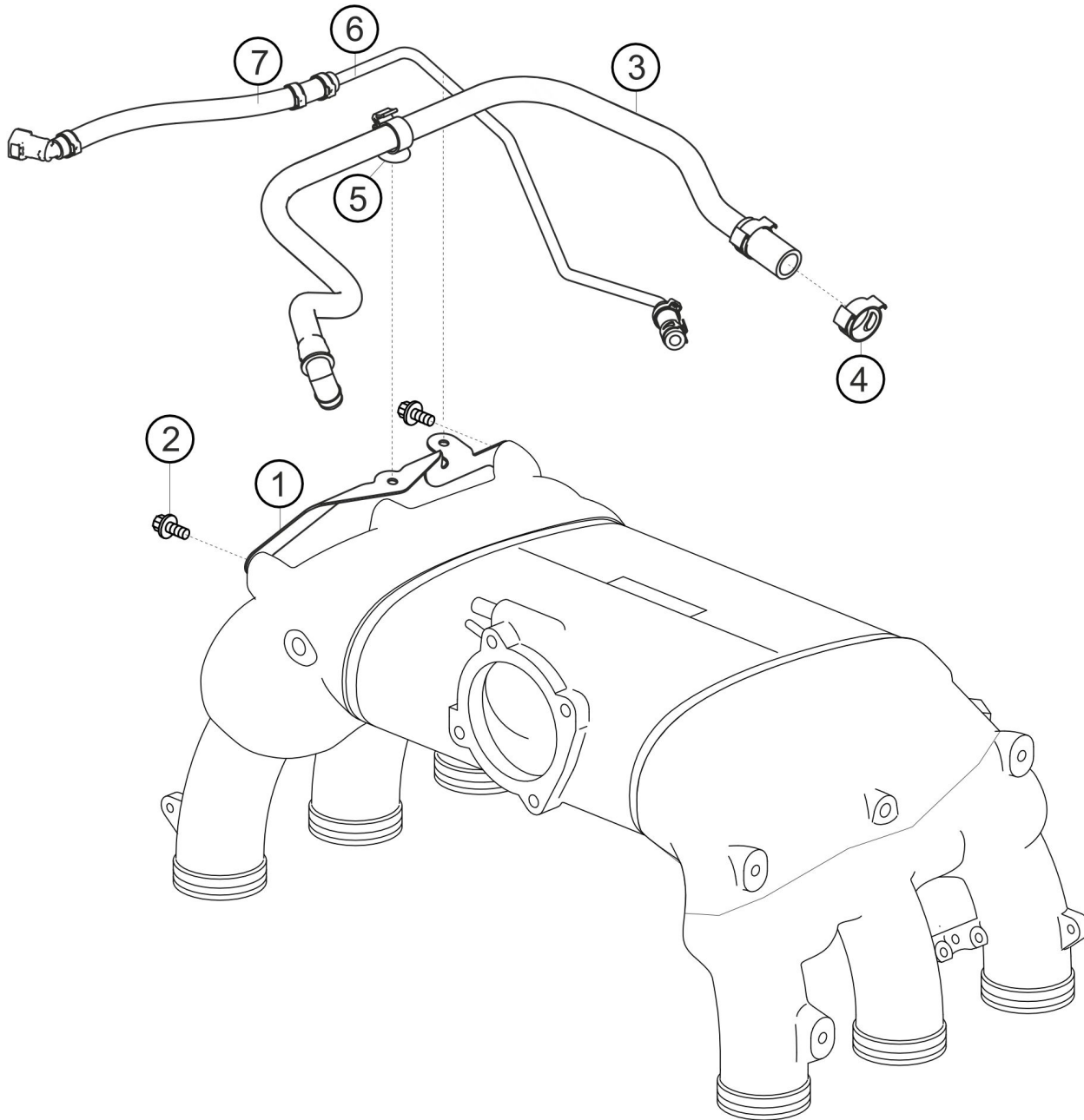
Item no.	Description	M	Pc.	Material
1	AS FUEL RAIL	X	1	9971100318D
2	HEXAGON-HEAD BOLT		4	90038504101
3	CLAMP		1	99951106601
4	TORX SCREW		1	90038500901
5	INJECTION VALVE INJECTION VALVE 14		6	99760513291
6	SECURING CLAMP INJECTION VALVE		6	99611011353
7	SUCTION-TUBE SOCKET	X	2	99711010190
8	SEALING SUCTION-TUBE SOCKET	X	2	99711010390
9	HEXAGON-HEAD BOLT		24	90038501901
10	RUBBER SLEEVE	X	6	99611068790
11	HOSE CLAMP A 50- 70/ 9D 3017 W2 C350		12	99951234902
12	CLOSING CAP		2	99711021800
13	HOUSING W.DRAIN COUPLING	X	1	99711059392
14	TORX SCREW		1	90038500901
15	PRESSURE SENSOR	X	1	99760620390
16	SEALING RING A 10x13,5 D 7603 AL F12		1	90012314430
17	BREAKAWAY COUPLING PLUG	X	1	99711019191
18	AL.SEAL.RING 14X18 D 7603 ALMGS11 F28		1	90012300730
19	ADAPTER 14x1,5	X	1	99910503230

1.25 induction system



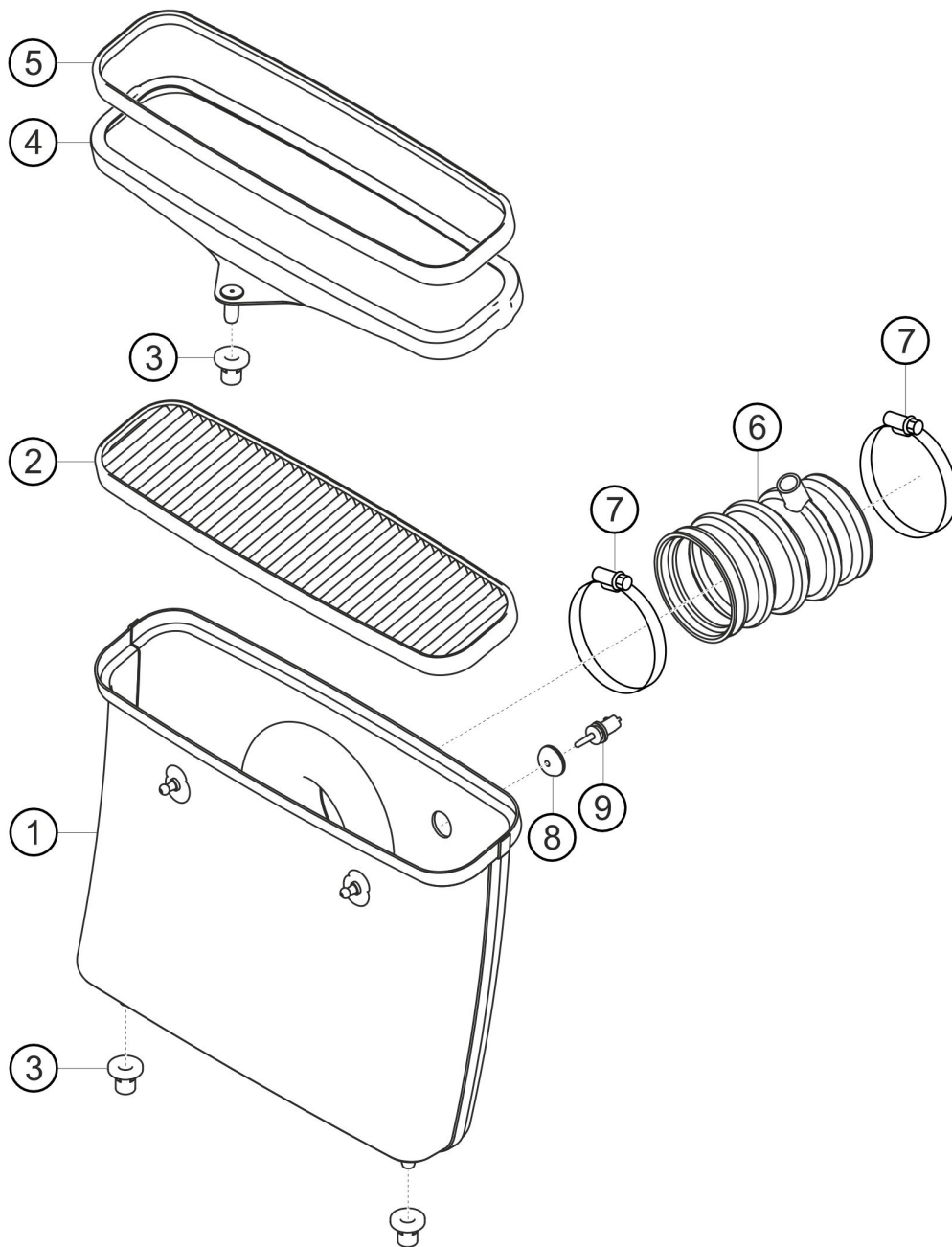
Item no.	Description	M	Pc.	Material
1	SUCTION DISTRIBUTOR		2	99711061990
2	O-RING		2	90033105640
3	AS DISTRIBUTOR TUBE RESONANCE TUBE		1	99711011690
4	HEXAGON-HEAD BOLT		2	90037828002
5	SAELING RING		2	N 0138042
6	SEALING DISTRIBUTOR TUBE		1	99711031990
7	THROTTLE EL. GAS		1	99760511601
8	HEXAGON SOCKET HEAD BOLT		4	90038507001
9	VACUUM UNIT		2	99311046202
10	ROUND HEAD SCREW		4	99914600701
11	SHAFT SEAL		2	99911347740
12	RETAINING PANEL VACUUM TANK	X	1	99711062890
13	HEXAGON-HEAD BOLT		2	90038504101
14	COMBINATION HOLDER		1	99760566592
15	HEXAGON-HEAD BOLT		2	90038504101
16	CABLE HOLDER		2	99951124040

1.26 engine ventilation lines



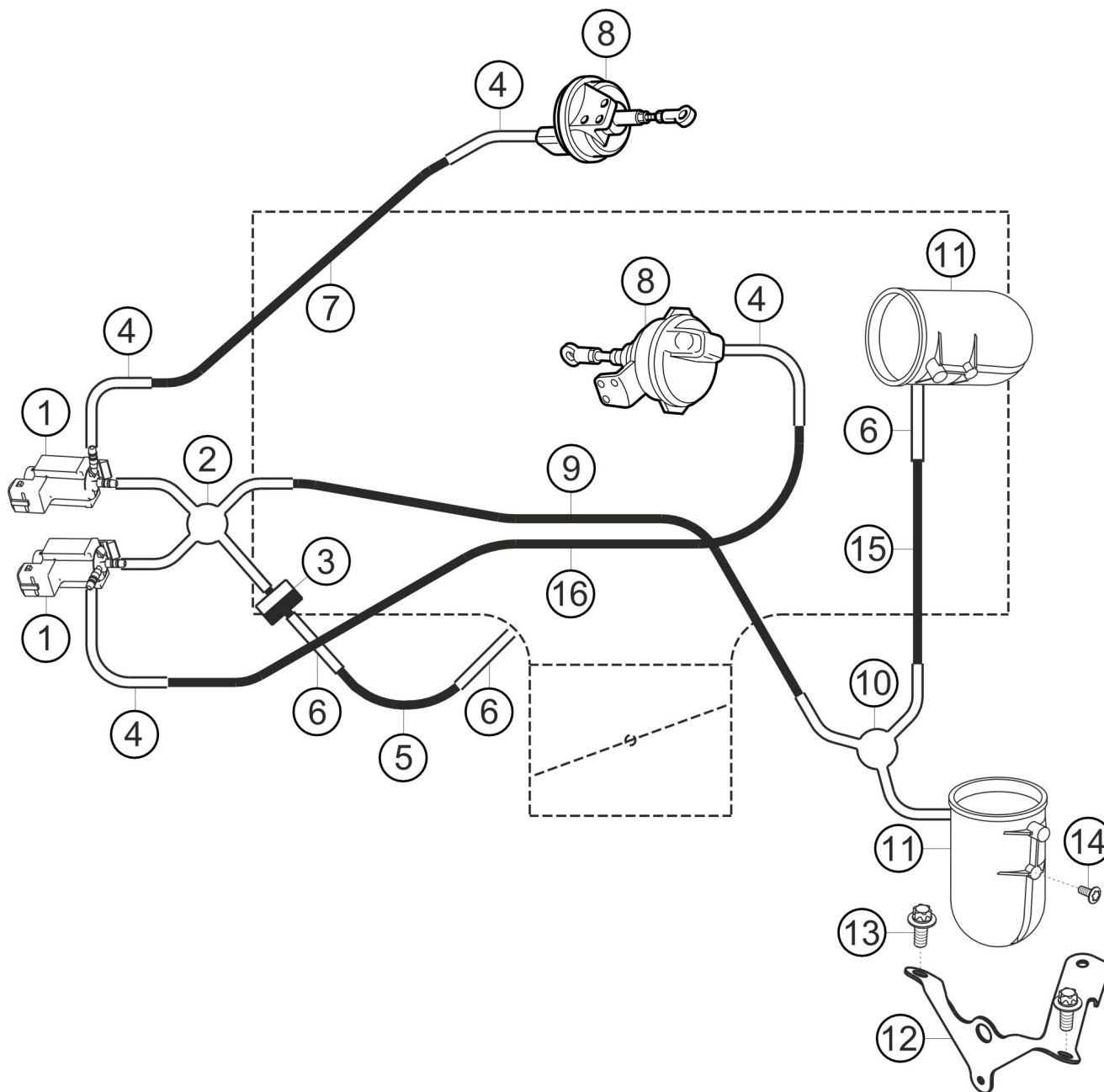
Item no.	Description	M	Pc.	Material
1	HOLDER VENT HOSE	X	1	99720767591
2	HEXAGON-HEAD BOLT		2	90038504101
3	AS VENT LINE OIL TANK		1	99720703790
4	HOSE CLAMP		1	99951265609
5	SUPPORT		1	99950772840
6	AS VENT LINE	X	1	99710604995
7	HOLDER		2	99950769940

1.27 air filter housing



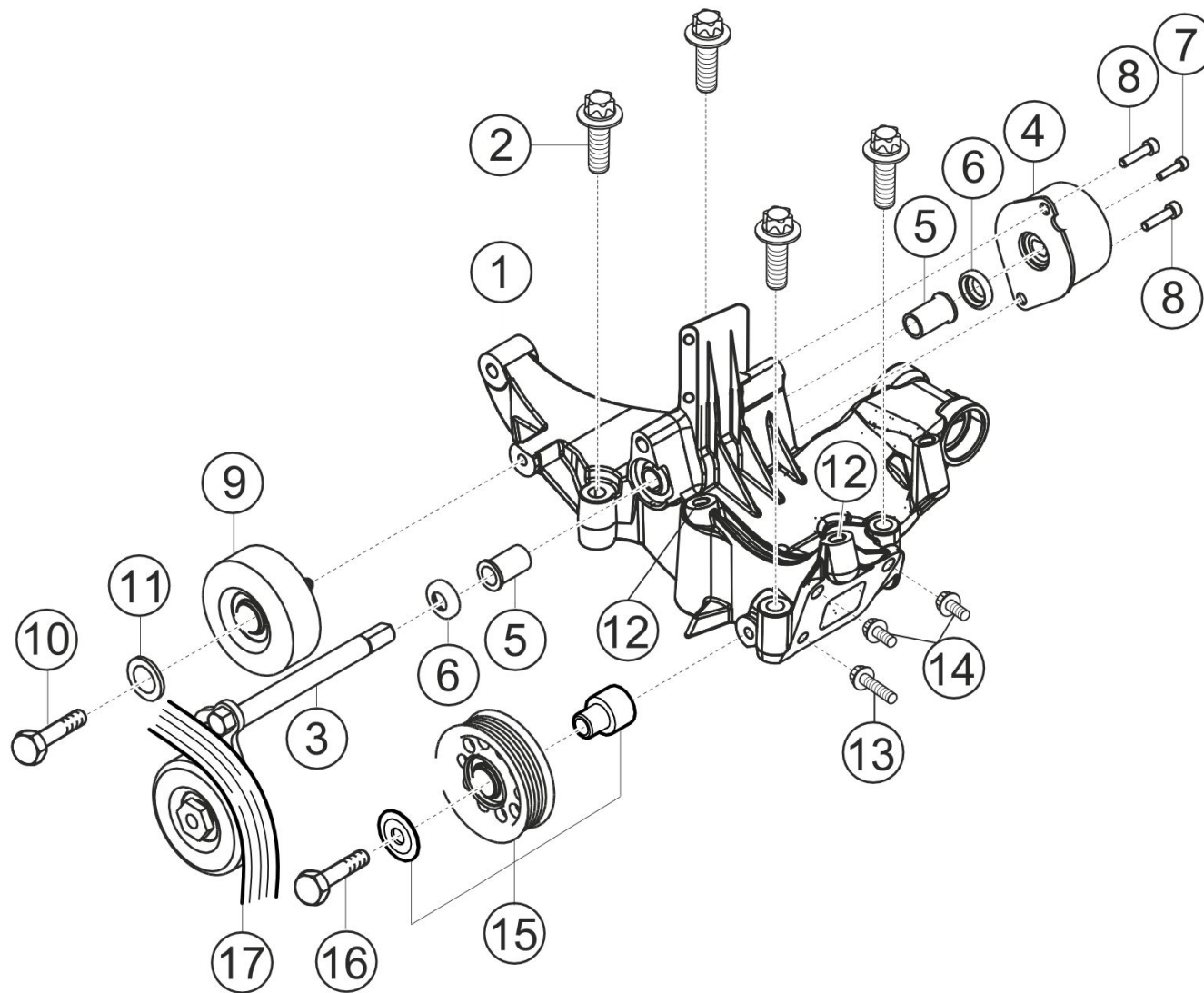
Item no.	Description	M	Pc.	Material
1	AIR-CLEANER BOX	X	1	9911101259C
2	AIR FILTER	X	1	9911101219A
3	BUSH		3	99970326740
4	AS FRAME	X	1	9911100359B
5	SEALING L. 1100 MM	X	1	9911108359A
6	RUBBER SLEEVE	X	1	99711062193
7	HOSE CLAMP		2	99951253901
8	SENSOR		1	99611053090
9	TEMPERATURE SENSOR		1	99760621300

1.28 vacuum lines



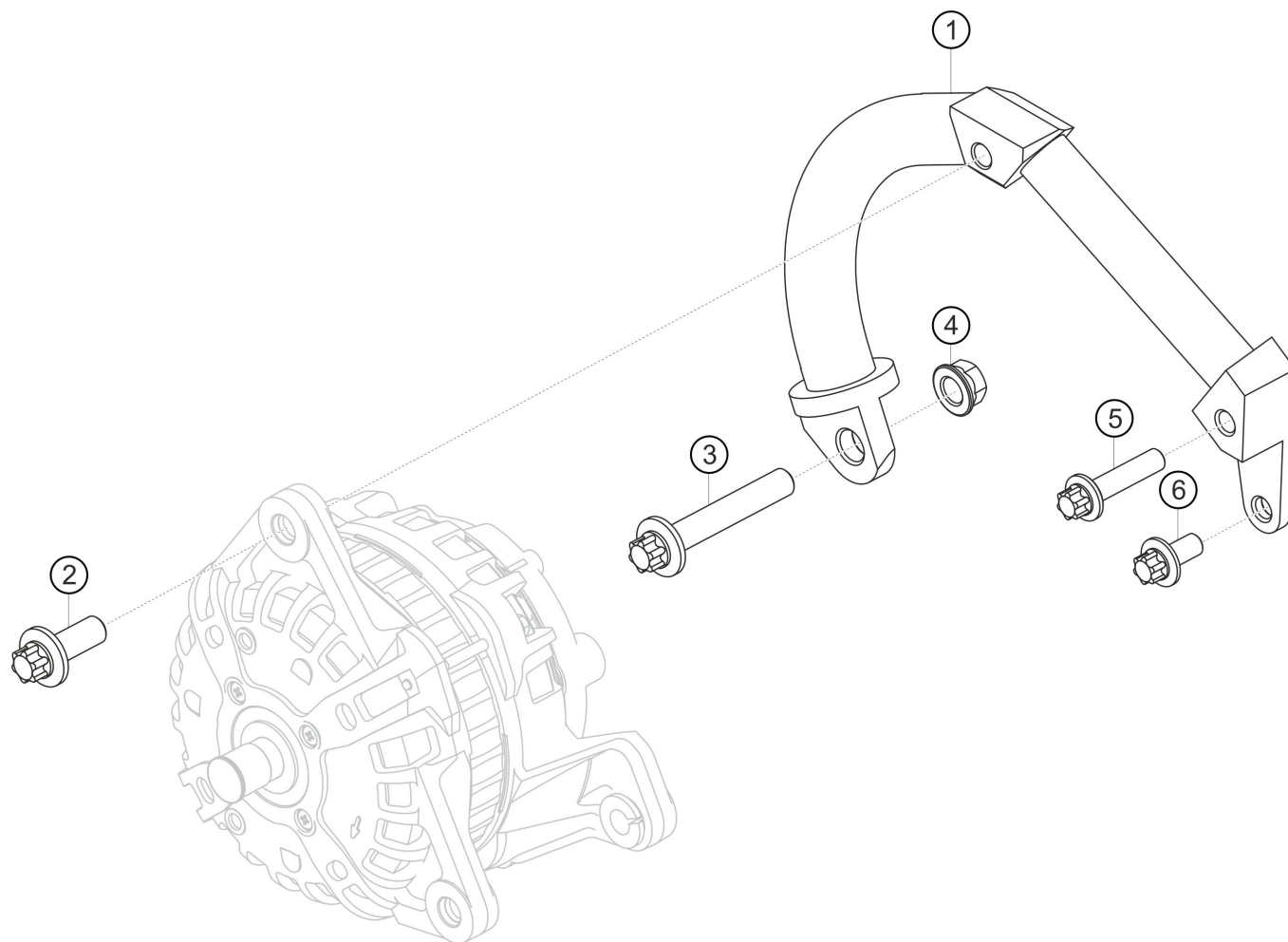
Item no.	Description	M	Pc.	Material
O.B.	PROTECTIVE HOSE		4	92857471705
1	CHANGE-OVER VALVE		2	7PP906270
2	QUADRUPLE		1	92857372905
3	CHECK VALVE		1	96411095002
4	PROTECTIVE HOSE		4	92857471707
5	TUBE 4,0X1,0 D73378 PA 6-H SW		75	90091804840
6	CONNECTING PIECE		3	99923904040
7	TUBE 4,0X1,0 D73378 PA 6-H SW		360	90091804840
8	VACUUM UNIT		2	99311046202
9	TUBE 4,0X1,0 D73378 PA 6-H SW		360	90091804840
10	TRIPLE		1	92857372705
11	VACCUM TANK		2	99311014003
12	RETAINING PANEL VACUUM TANK	X	1	99711062892
13	TORX SCREW		2	90038509901
14	OVAL-HEAD SCREW		2	99991920909
15	TUBE 4,0X1,0 D73378 PA 6-H SW		230	90091804840
16	TUBE 4,0X1,0 D73378 PA 6-H SW		335	90091804840

1.29 accessory bracket



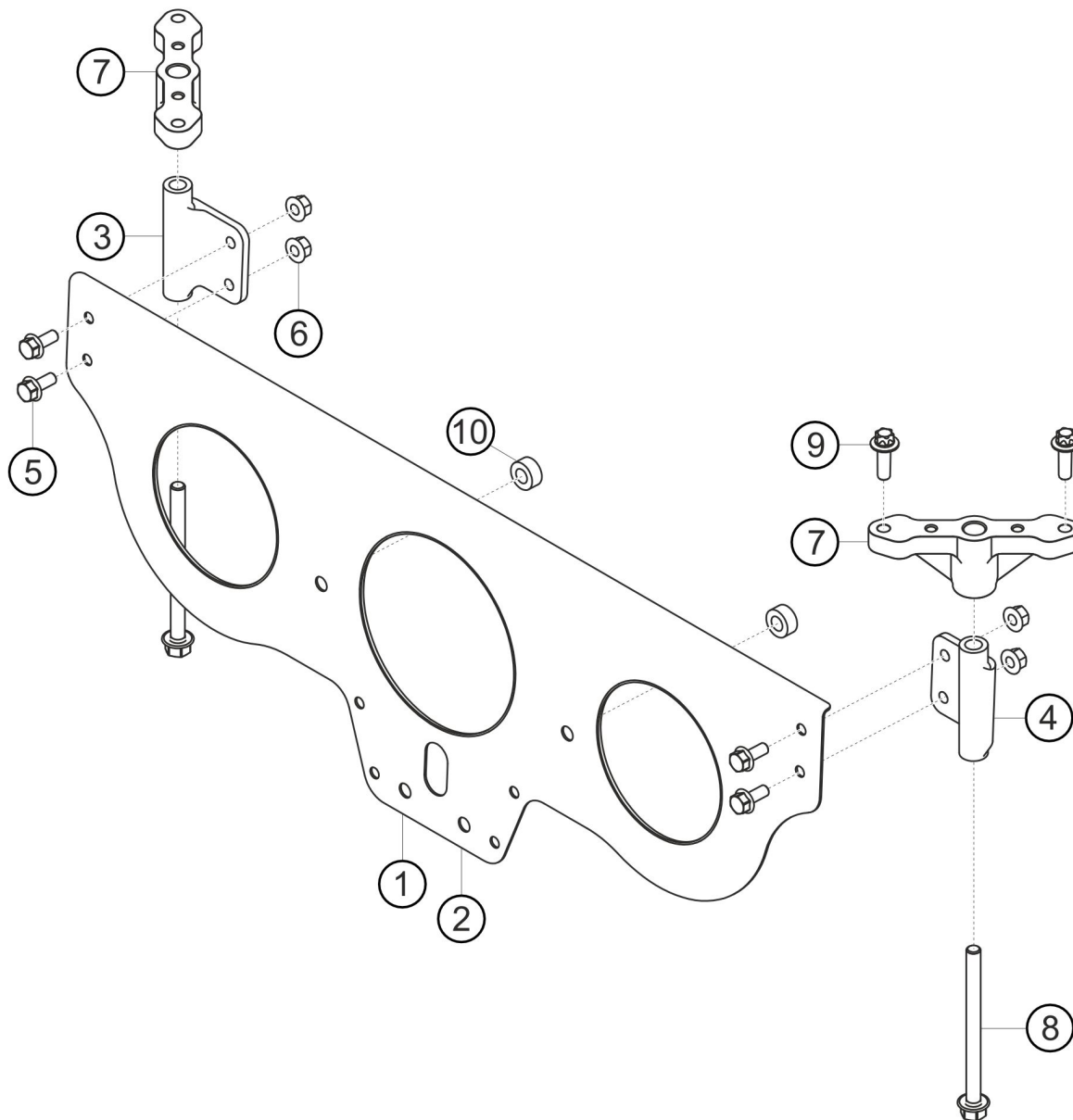
Item no.	Description	M	Pc.	Material
1	ACCESSORY SUPPORT		1	99611511270
2	TORX SCREW		4	90038500401
3	LEVER F.BELT TENS.	X	1	99611501371
4	AS TENSIONER ELEMENT		1	99611522172
5	BUSH BELT TENSIONER		2	99710216700
6	DUST CAP		2	99610236550
7	PAN-HEAD SCREW		1	90006711705
8	SCREW		2	90006713103
9	AS DEFLECTION PULLEY		1	99611501576
10	HEXAGON SOCKET HEAD BOLT		1	90038512001
11	COVER DISK		1	99610212553
12	DOWEL SLEEVE		4	99909506301
13	HEXAGON SOCKET HEAD BOLT		1	90038503601
14	TORX SCREW		2	90038509801
15	AS DEFLECTION PULLEY	X	1	99711501590
16	SREW BM10x55 D34801 10.9 26B1	X	1	90038514801
17	RIBBED V-BELT	X	1	99710215193

1.30 alternator bracket



Item no.	Description	M	Pc.	Material
1	HOLDER GENERATOR	X	1	9976035318A
2	TORX SCREW		1	90038527401
3	SREW BM10x55 D34801 10.9 26B1	X	1	90038514801
4	HEXAGON NUT M10 D 6923 10 26B1		1	90037701101
5	TORX SCREW		1	90038504201
6	TORX SCREW		1	90038500101

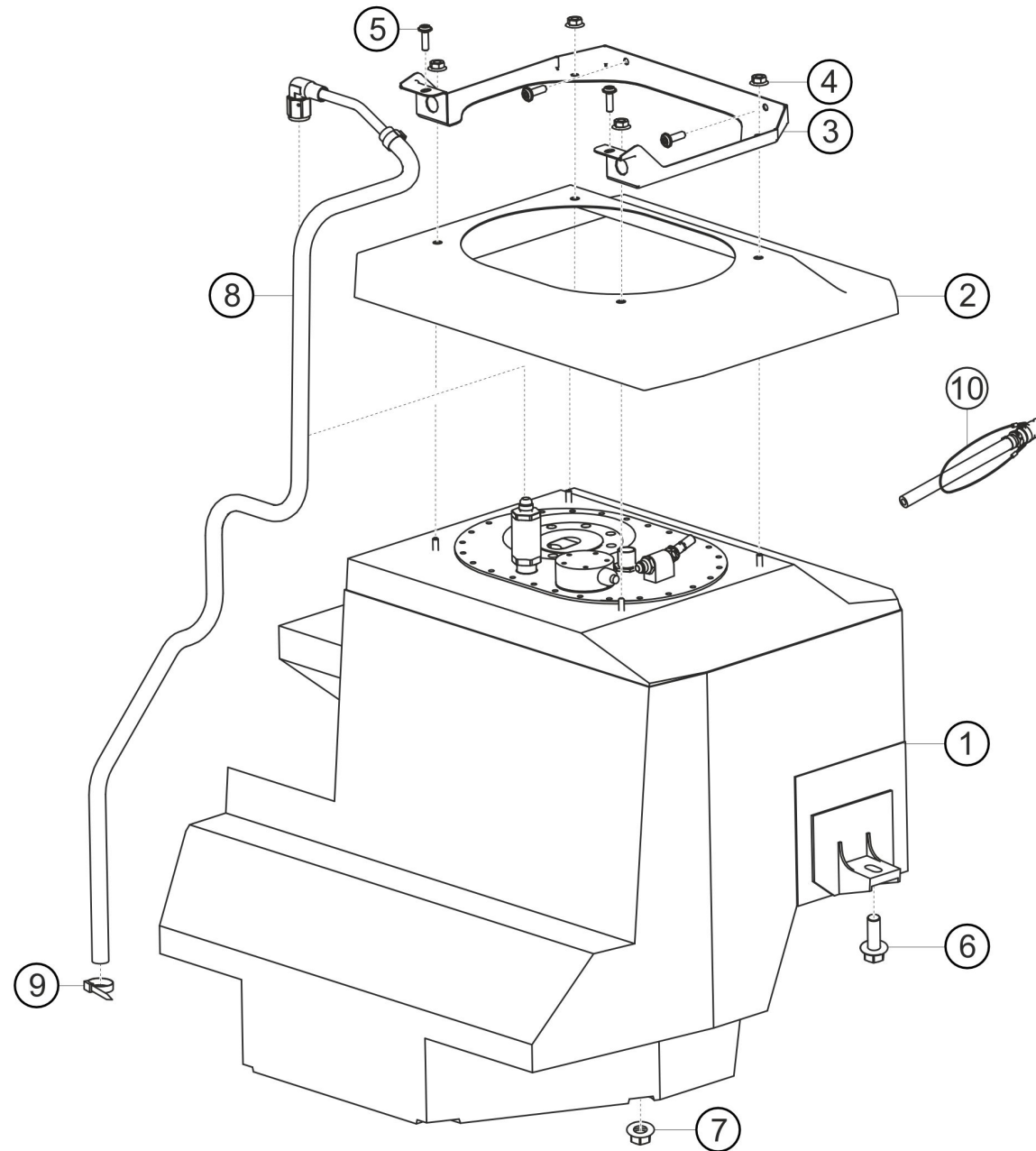
1.31 engine bracket



Item no.	Description	M	Pc.	Material
1	AS ENGINE BRACKET CUP	X	1	99737501196
2	ENGINE BRACKET CUP	X	1	99737521196
3	FIXTURE LEFT	X	1	99737541196
4	FIXTURE RIGHT	X	1	99737541296
5	BOLT HEX-HD.		4	90037826009
6	HEXAGON NUT		4	90038000501
7	AS ADAPTER ENGINE MOUNT	X	2	9913751218B
8	TORX SCREW		2	90037828301
9	OUTER HEXAGON ROUND SCREW		4	90038516701
10	SLEEVE	X	2	9973756118B

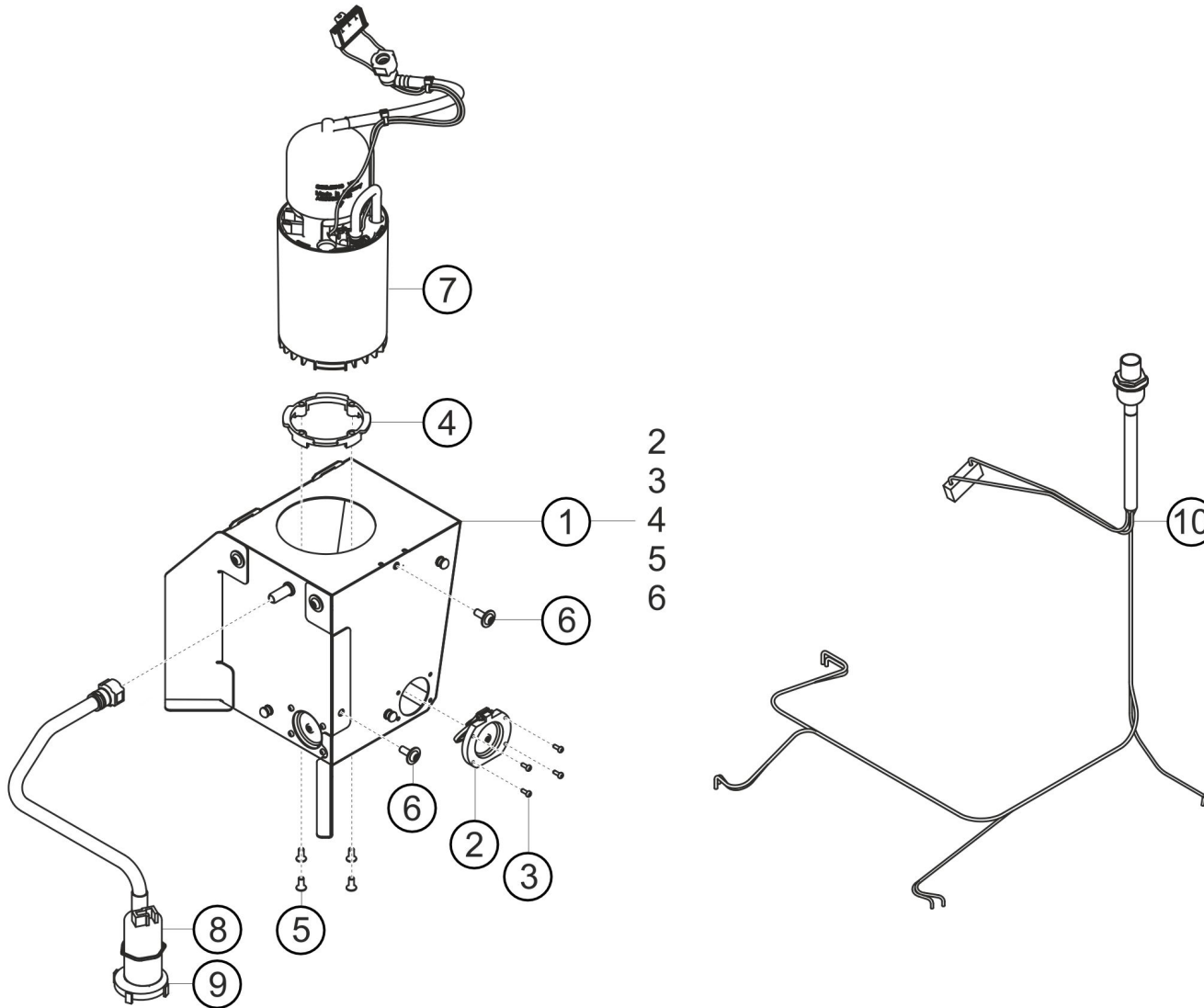
2 fuel tank and exhaust system

2.1 fuel tank



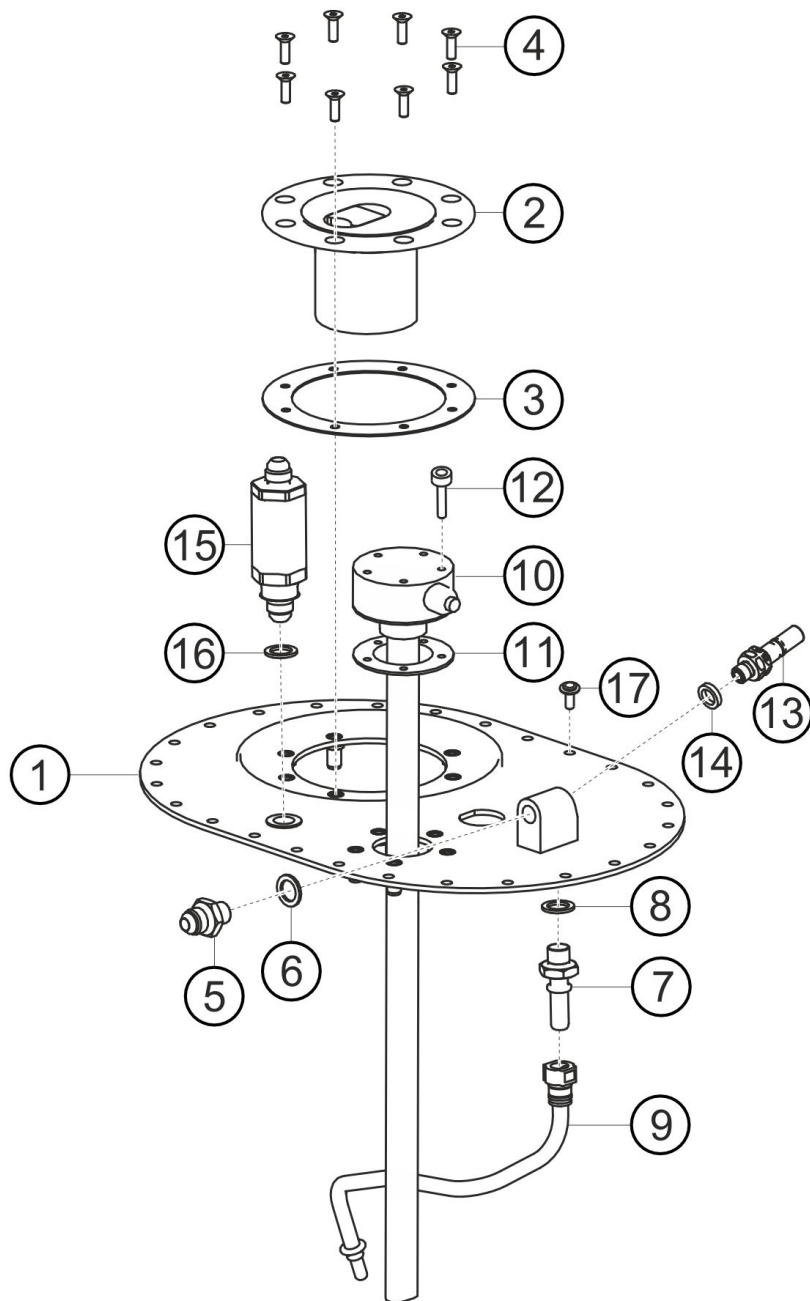
Item no.	Description	M	Pc.	Material
1	AS FUEL TANK	X	1	9912010138M
2	COVERING	X	1	9912012058A
3	AS INSTALL.FRAME FUEL TANK	X	1	9915045358A
4	HEXAGON NUT		4	90037701001
5	SCREW FILL. HD.		4	99907332202
6	COMBINATION SCREW		2	N 91159101
7	HEXAGON NUT		4	99907607102
8	VENT LINE	X	1	9912011438A
9	CABLE BINDER		1	99950709340
10	FUEL HOSE W.DRAIN COUPLING	X	1	99711035590

2.2 fuel pump



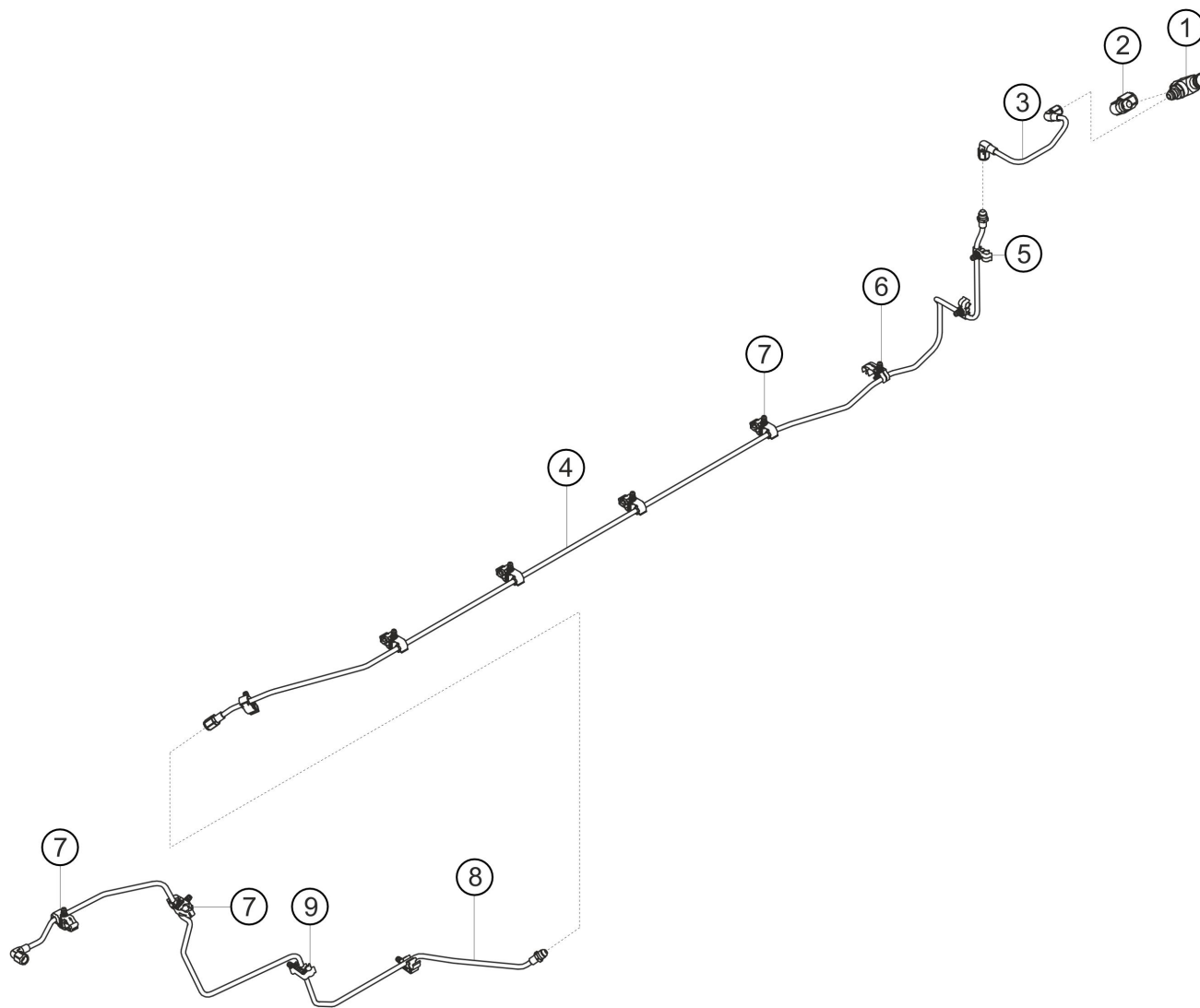
Item no.	Description	M	Pc.	Material
1	AS HOLDER SUPPLY UNIT	X	1	9912012018A
2	INLET VALVE	X	3	9912014078A
3	PAN-HEAD SCREW M3X 8 I14583 8.8 26D1	X	12	99907339801
4	BAYONET RING	X	1	9912013038A
5	COUNTERSUNK-HEAD SCREW		4	90024907201
6	SCREW FILL. HD.		5	999073297A2
7	AS SUPPLY UNIT	X	1	9916200418A
8	AS FUEL PUMP	X	1	9912013438A
9	FILTER FUEL PUMP	X	1	9912016378A
10	CABLE LOOM FUEL TANK	X	1	9912016978J

2.3 refueling plate



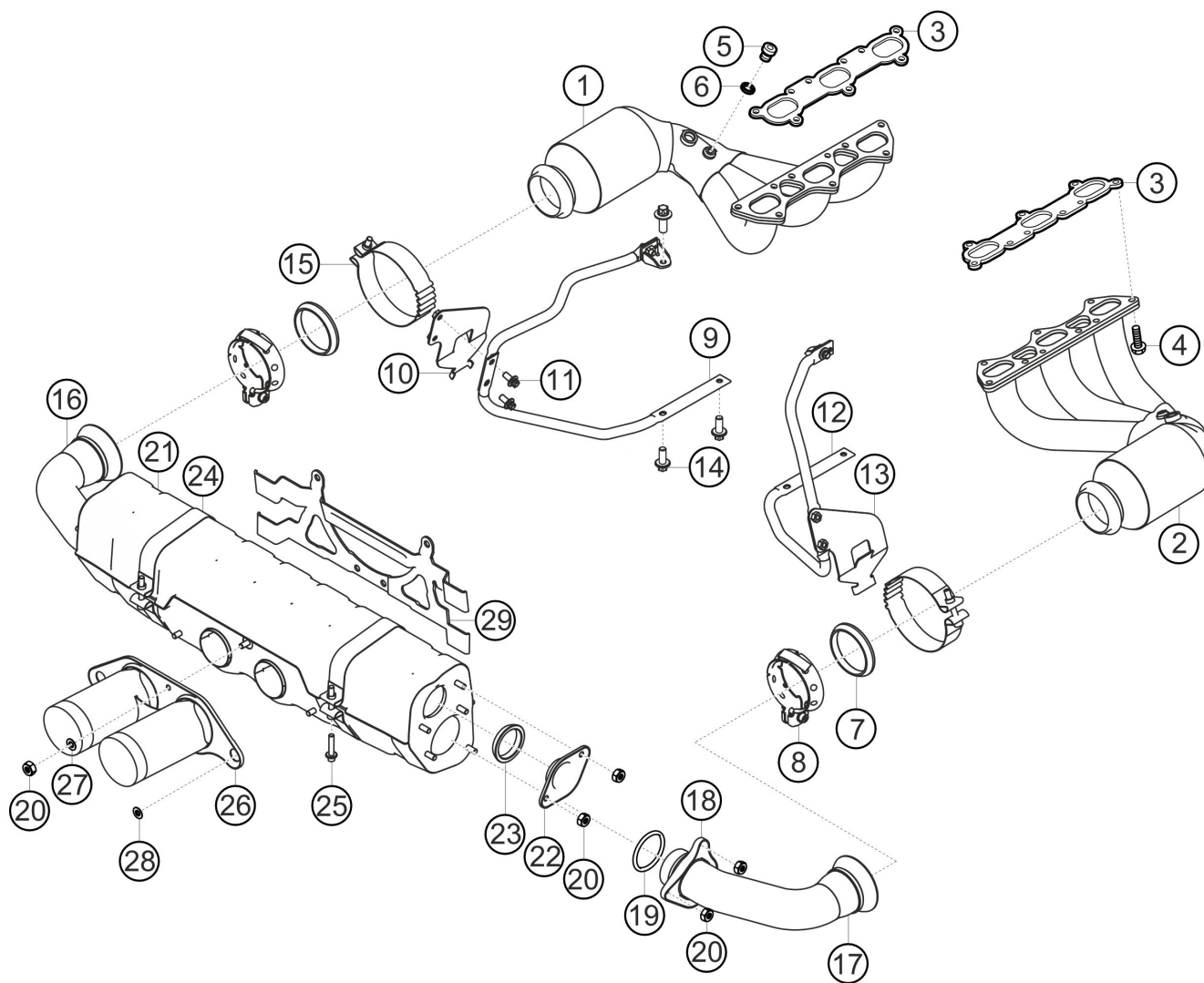
Item no.	Description	M	Pc.	Material
1	AS FASTENING PLATE	X	1	9912013178D
2	AS FILLER NECK FUEL	X	1	9912010438H
3	SEALING FILLER NECK	X	1	9912019358A
4	SCREW M5x16 8.8	X	8	99907338601
5	ADAPTER 12x1,5	X	1	99910502930
6	ALUM. SEALING RING 12X18 D 7603 AL		1	90012310130
7	SCREW-IN NECK	X	1	9912015258B
8	ALUM. SEALING RING 12X18 D 7603 AL		1	90012310130
9	FUEL LINE FUEL PUMP	X	1	9912012178A
10	FUEL-LEVEL SENSOR	X	1	9916068318B
11	SEALING RING FUEL-LEVEL SENSOR	X	1	9912017338A
12	CHEESE-HD. SCREW		5	99921806902
13	BREAKAWAY COUPLING PLUG	X	1	99711019190
14	SEALING RING BREAKAWAY COUPLING	X	1	9912015918A
15	ROLLOVER VALVE	X	1	9912017358B
16	ALUM. SEALING RING 12X18 D 7603 AL		1	90012310130
17	SCREW FILL. HD.		26	999073269A2

2.4 fuel lines



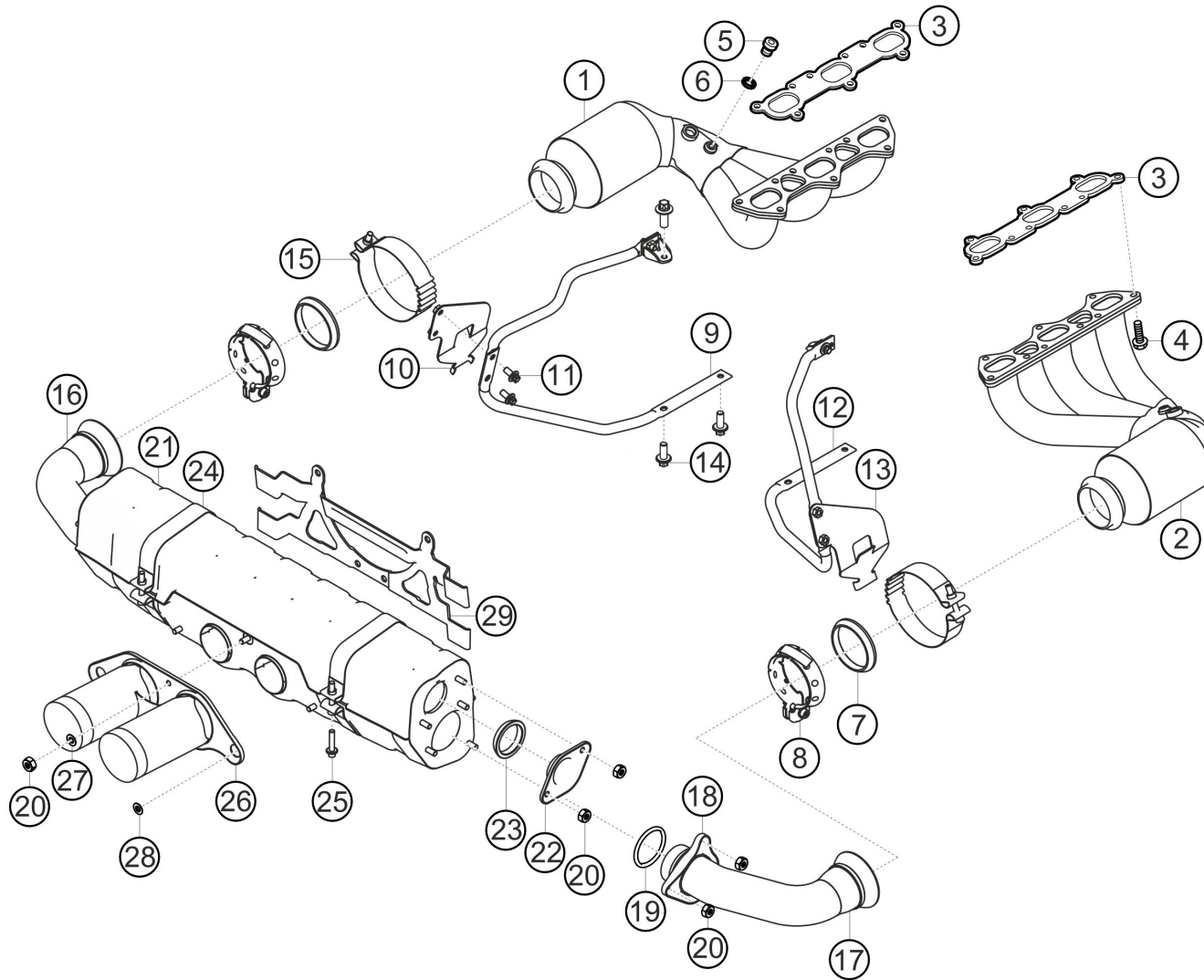
Item no.	Description	M	Pc.	Material
1	VALVE	X	1	9912013218A
2	CLUTCH	X	1	9912015818A
3	FUEL LINE	X	1	9912012958D
4	FUEL LINE PRESSURE LINE,FRONT	X	1	9912012618A
5	CABLE HOLDER		2	99965141640
6	CABLE HOLDER		1	99950727340
7	CABLE HOLDER		6	99950726940
8	FUEL LINE PRESSURE LINE,REAR	X	1	9912012658C
9	CABLE HOLDER		2	99950727040

2.5 exhaust system



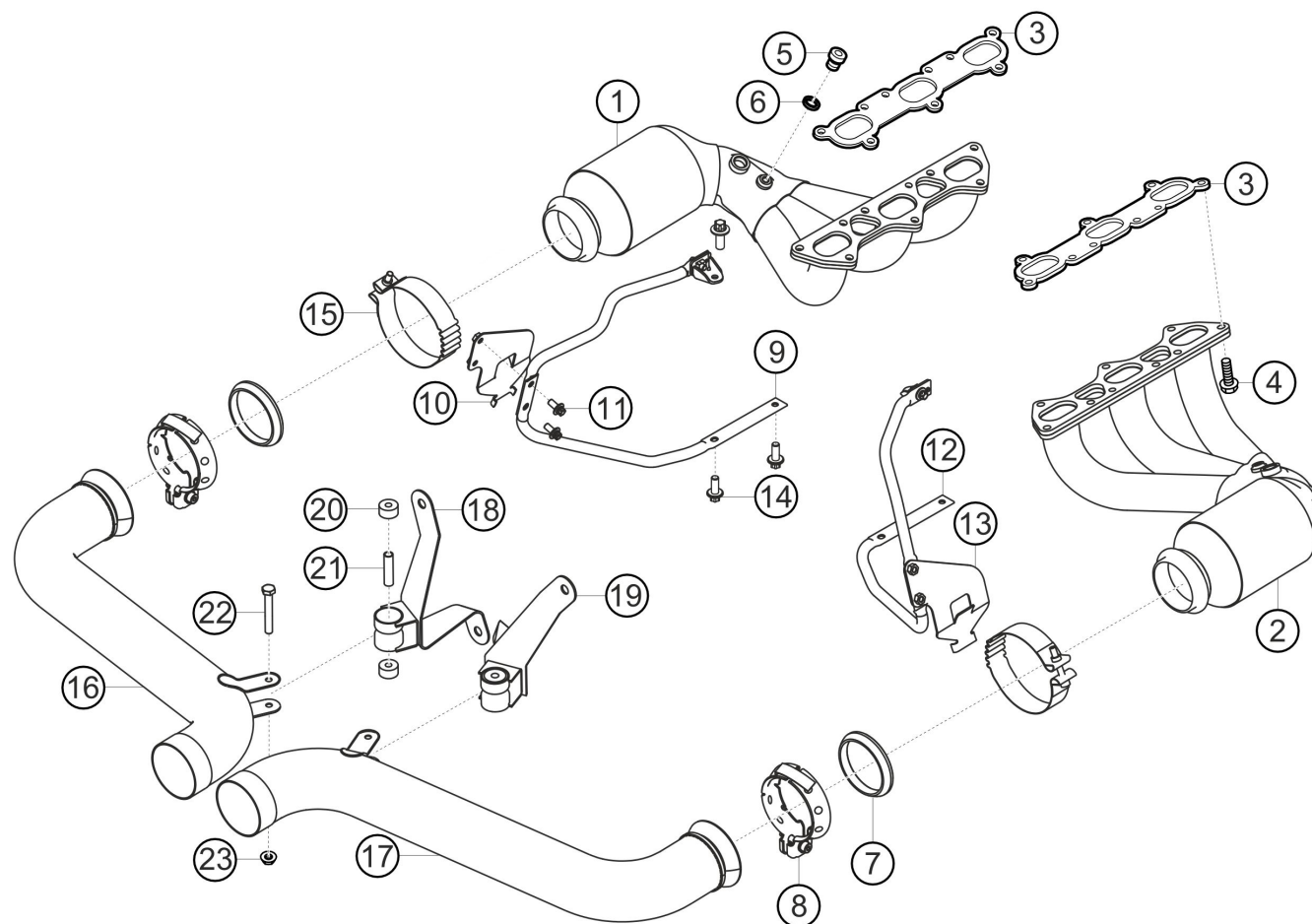
Item no.	Description	M	Pc.	Material
1	AS CATALYST MANIFOLD	X	1	997113021A1
2	AS CATALYST MANIFOLD	X	1	997113022A1
3	SEALING MANIFOLD		2	99611110771
4	HEX.COLLAR SCREW M8X28		18	90037813100
5	SCREW PLUG		2	90012402101
6	SEALING RING		2	90012305020
7	SEALING RING		2	98011156100
8	SPHERICAL CLAMP		2	997111133690
9	AS HOLDER MUFFLER LEFT		1	99711112791
10	HOLDER MANIFOLD LEFT	X	1	997111154792
11	TORX SCREW		4	90038504401
12	AS HOLDER MUFFLER RIGHT		1	99711112891
13	HOLDER MANIFOLD RIGHT	X	1	997111154892
14	TORX SCREW		6	90038500101
15	AS TIGHTENING STRAP	X	2	99711323191
16	CONNECTING TUBE LEFT	X	1	99711130190
17	CONNECTING TUBE RIGHT	X	1	99711130290
18	FLANGE		2	99711146390
19	SEALING RING		2	99711156390
20	LOCKING NUT		13	99908462702
21	AS REAR MUFFLER		1	997111102792
22	FLANGE	X	2	9971114618A
23	SEALING RING		2	99711156190

2.5 exhaust system



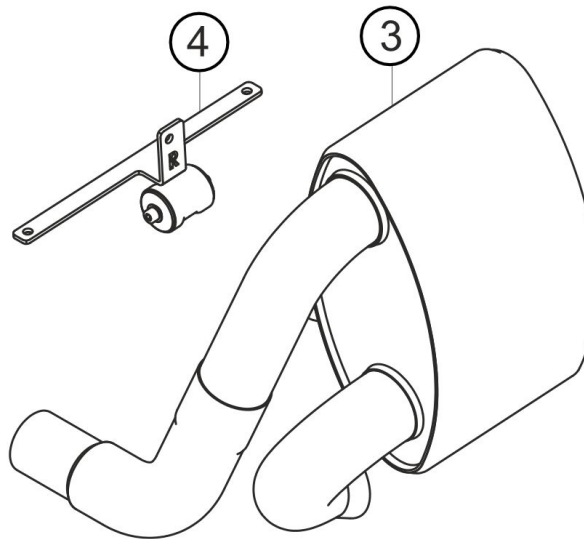
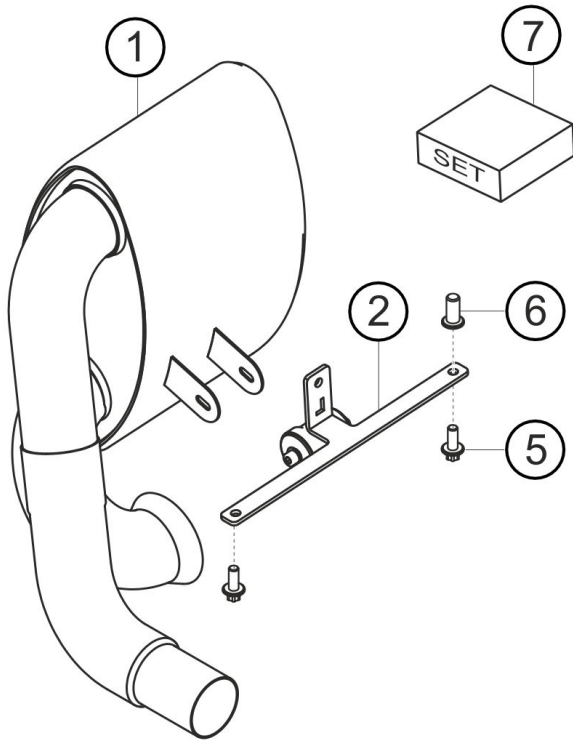
Item no.	Description	M	Pc.	Material
24	TIGHTENING STRAP MUFFLER		2	99711111970
25	PAN-HEAD SCREW		1	90006736201
26	AS EXHAUST TAILPIPE	X	1	9911112539A
27	WASHER GT3		1	99711175593
28	WASHER		2	99711175391
29	HOLDER MUFFLER		1	99611102471

2.6 exhaust system without muffler



Item no.	Description	M	Pc.	Material
1	AS CATALYST MANIFOLD	X	1	997113021A1
2	AS CATALYST MANIFOLD	X	1	997113022A1
3	SEALING MANIFOLD		2	99611110771
4	HEX.COLLAR SCREW M8X28		18	90037813100
5	SCREW PLUG		2	90012402101
6	SEALING RING		2	90012305020
7	SEALING RING		2	98011156100
8	SPHERICAL CLAMP		2	99711133690
9	AS HOLDER MUFFLER LEFT		1	99711112791
10	HOLDER MANIFOLD LEFT	X	1	99711154792
11	TORX SCREW		4	90038504401
12	AS HOLDER MUFFLER RIGHT		1	99711112891
13	HOLDER MANIFOLD RIGHT	X	1	99711154892
14	TORX SCREW		6	90038500101
15	AS TIGHTENING STRAP	X	2	99711323191
16	EXHAUST TAILPIPE LH	X	1	99711125194
17	EXHAUST TAILPIPE RH	X	1	99711125294
18	AS HOLDER TAILPIPE LEFT	X	1	9971111818S
19	AS HOLDER TAILPIPE RIGHT	X	1	9971111828S
20	DAMPING CUSHION	X	2	9971112288A
21	SLEEVE	X	1	9971115518D
22	TORX SCREW		2	90038503602
23	HEXAGON NUT		2	90037700303

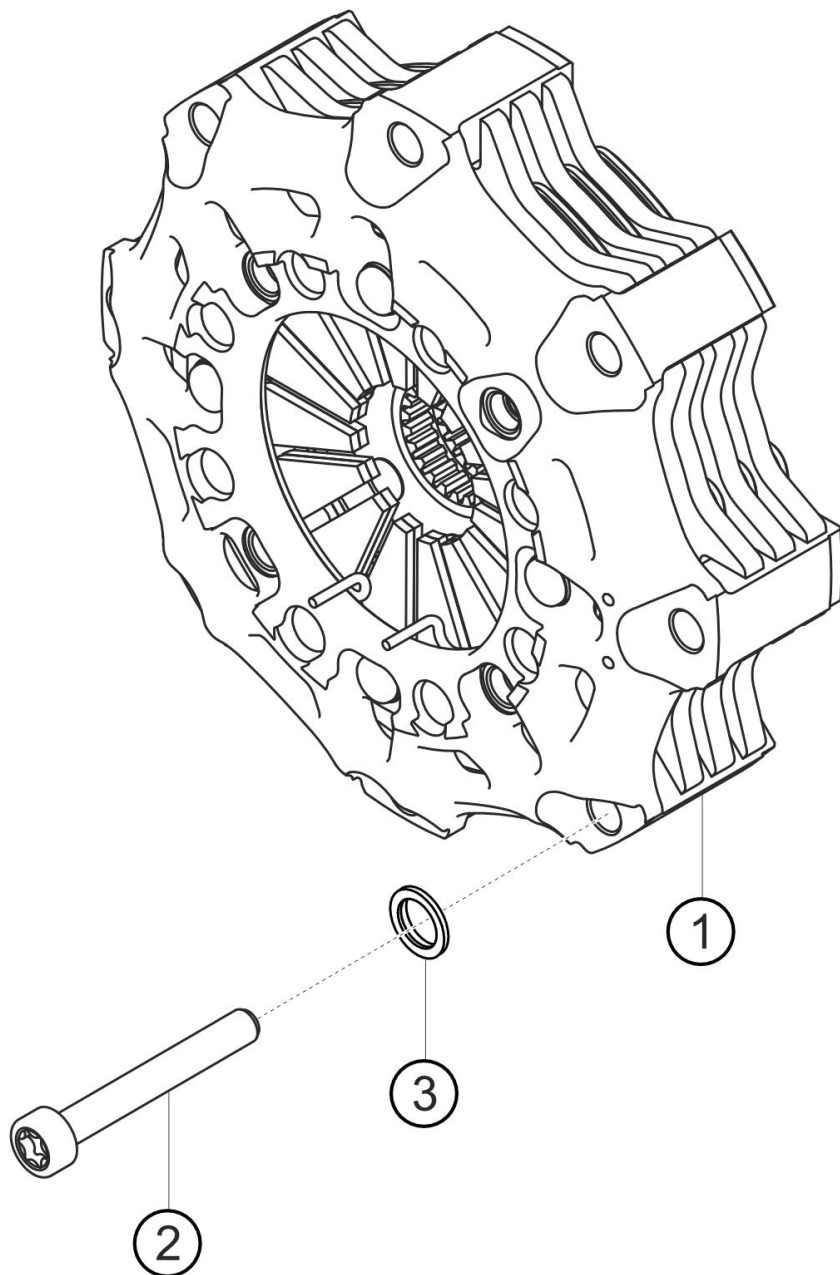
2.7 front muffler



Item no.	Description	M	Pc.	Material
1	FRONT MUFFLER CYL.1-3	X	1	9911111479A
2	HOLDER	X	1	9911112479A
3	FRONT MUFFLER CYL.4-6	X	1	9911111489A
4	HOLDER	X	1	9911112489A
5	TORX SCREW		4	90038500901
6	BLIND RIVET NUT M6	X	4	99950013002
7	SET,REFILL FRONT MUFFLER	X	2	9911118119A

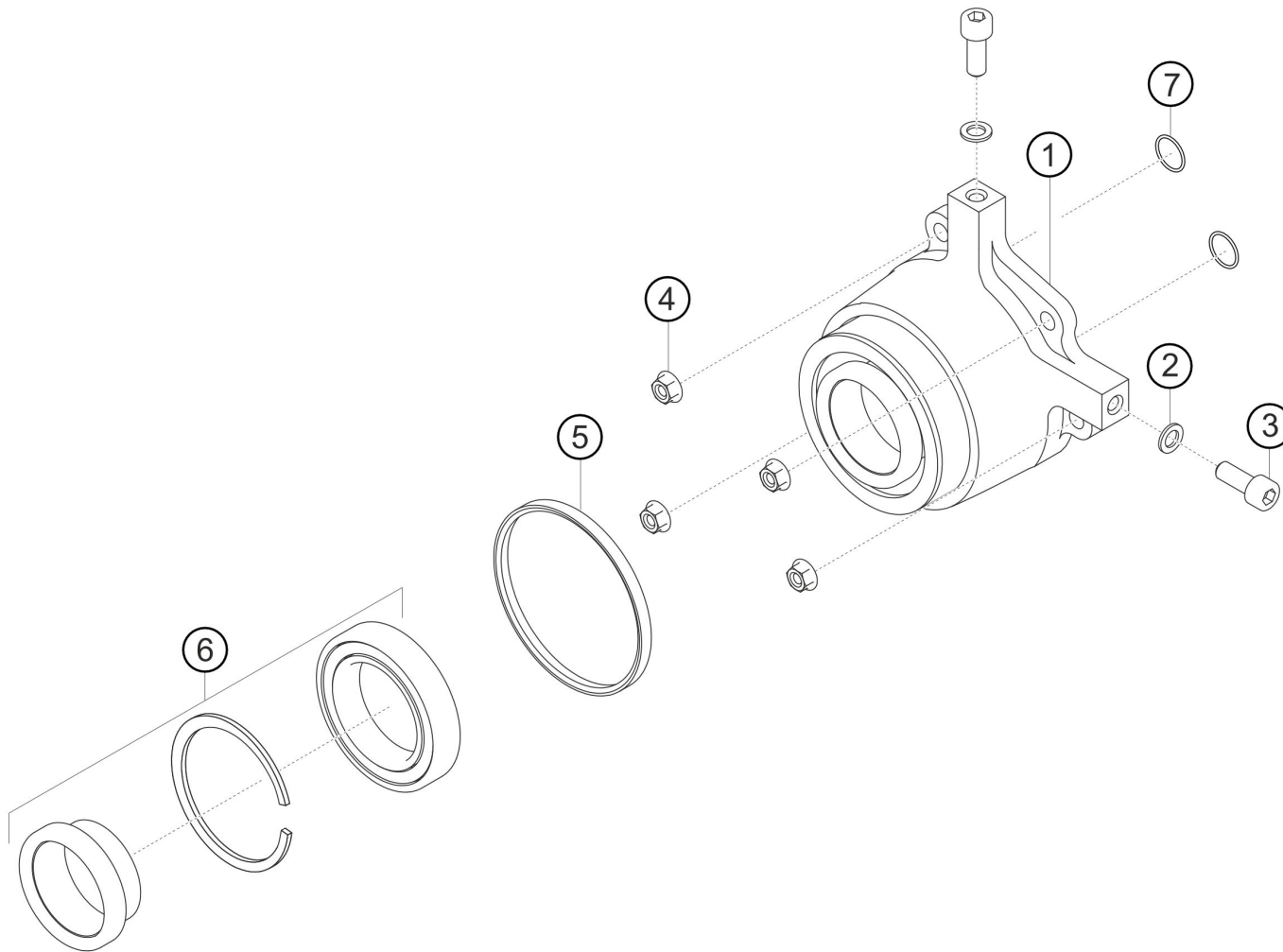
3 gearbox

3.1 clutch



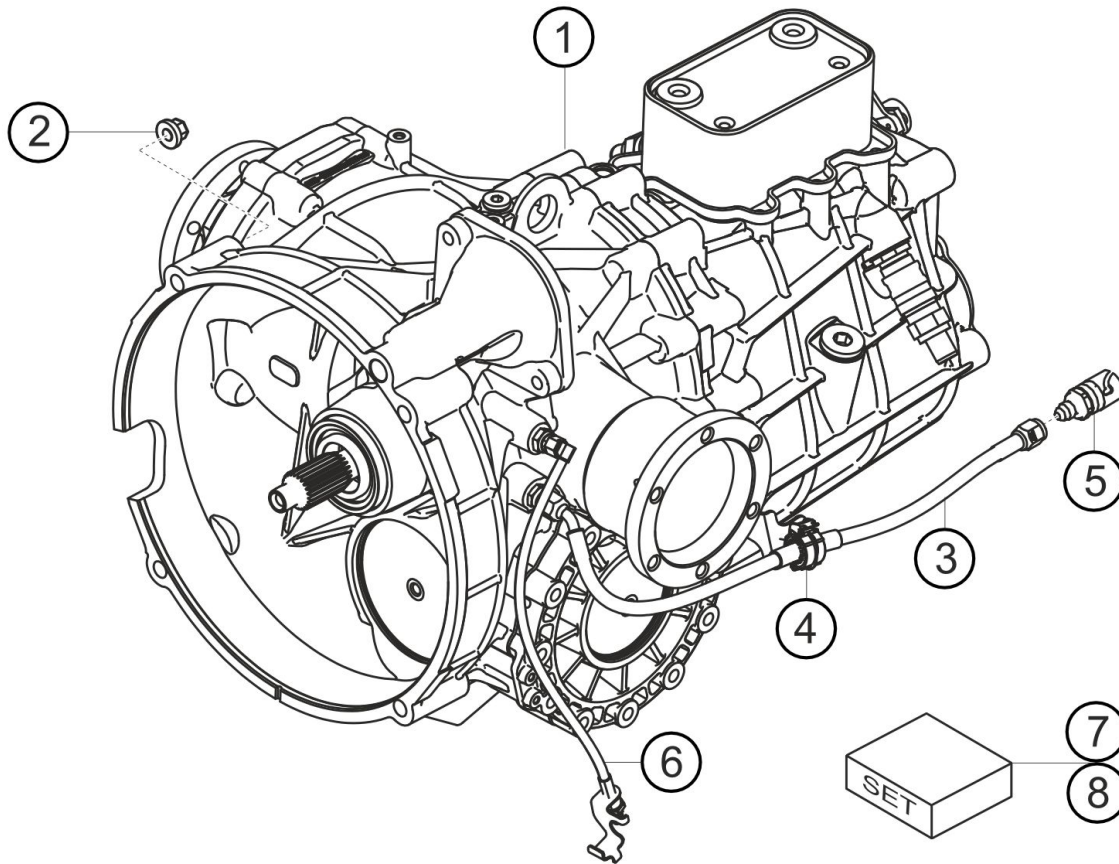
Item no.	Description	M	Pc.	Material
1	AS CLUTCH	X	1	9911160019A
2	PAN-HEAD SCREW		8	90006707302
3	SPACE WASHER		8	N 0122418

3.2 central clutch operator



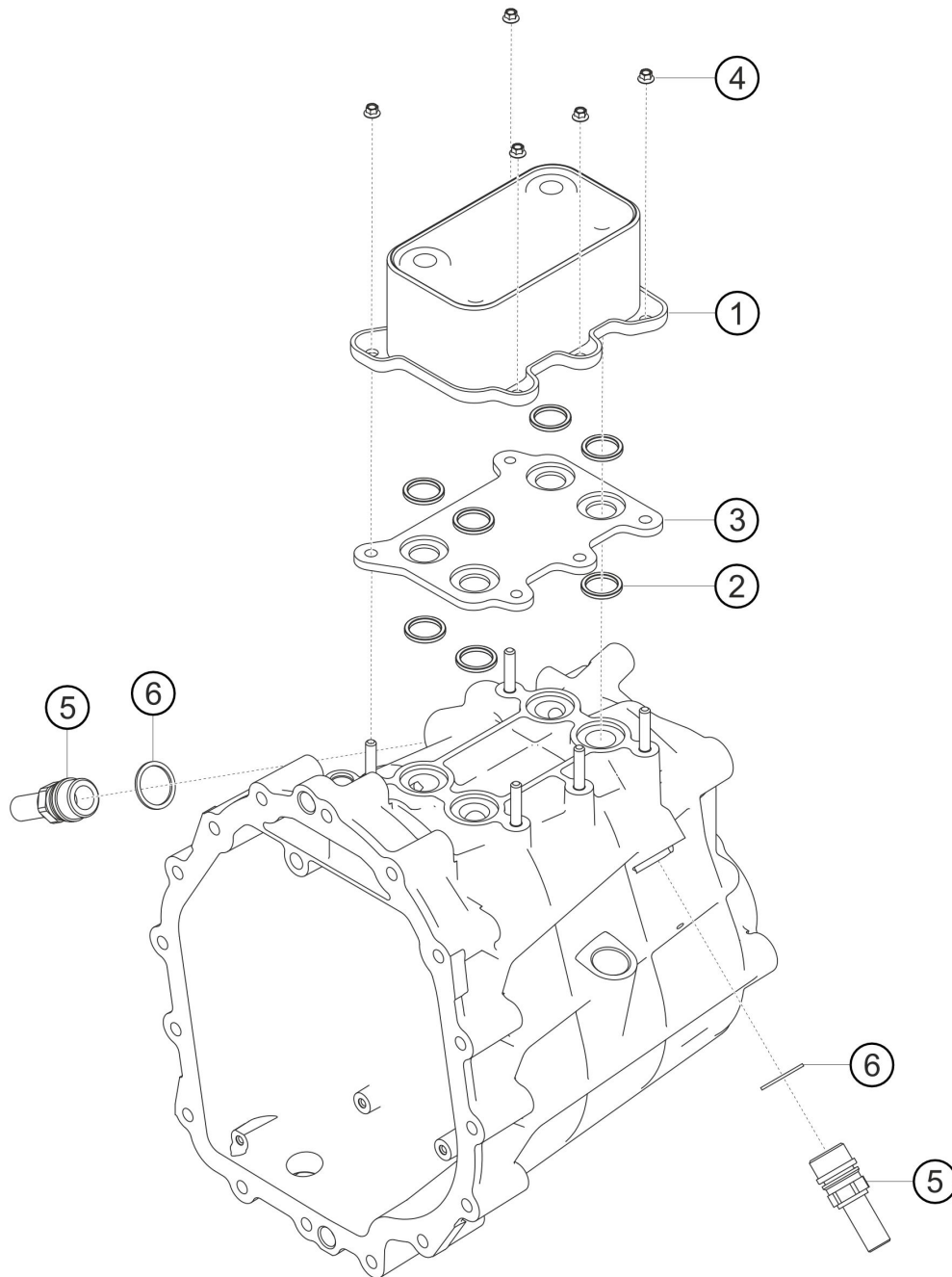
Item no.	Description	M	Pc.	Material
1	AS CLUTCH OPERATOR	X	1	9911160029B
2	SEALING RING A 6X10 D 7603 AL	X	2	90012313530
3	FILLISTER SCREW		2	N 01474011
4	HEX. NUT M6 LN9338 1.7220.3	X	4	90081700102
5	SEALING RING	X	1	9911162059A
6	AS RELEASE BEARING CLUTCH OPERATOR	X	1	9R611602000
7	O-RING SEAL	X	2	9R611620700

3.3 spare gearbox



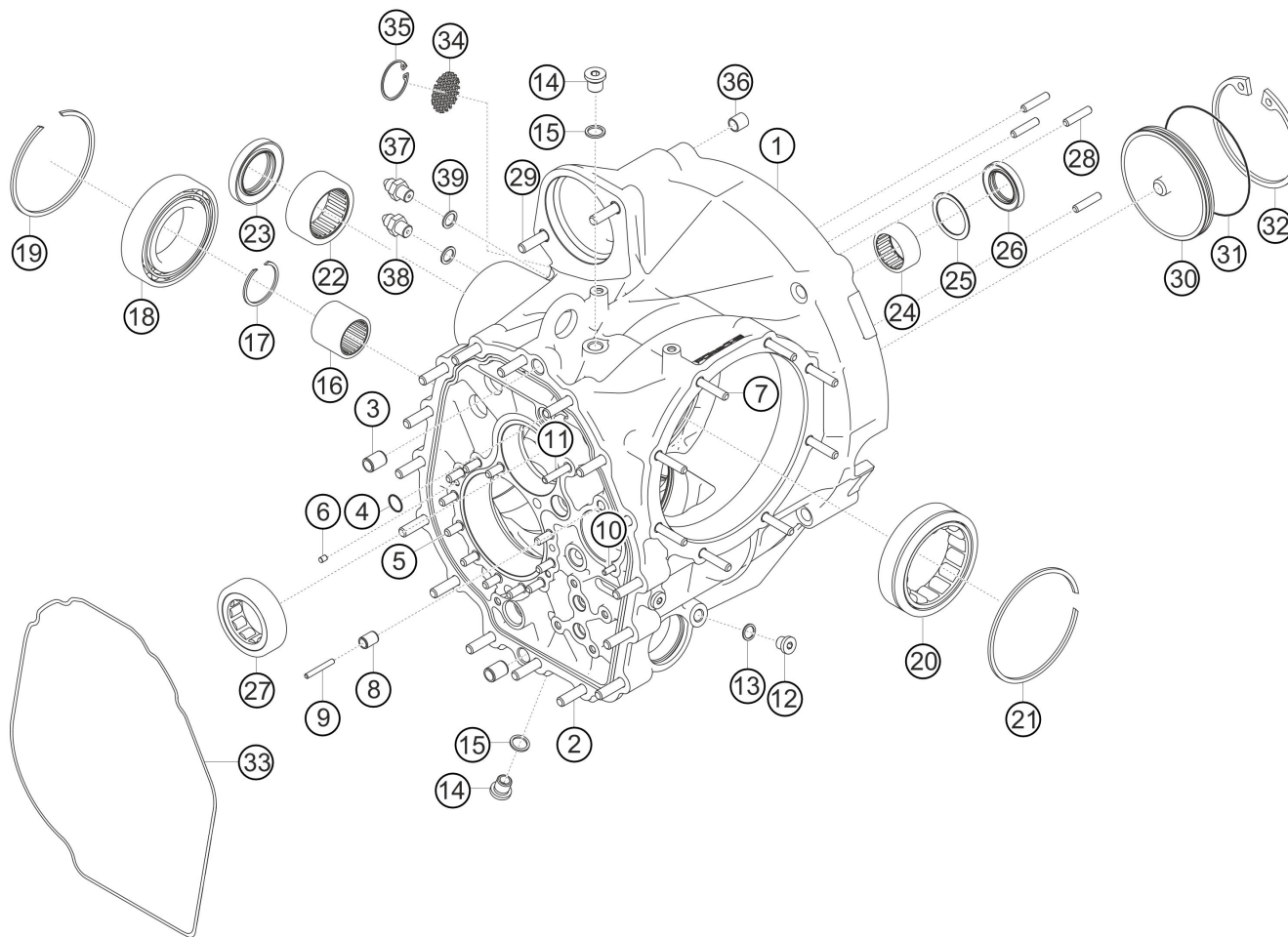
Item no.	Description	M	Pc.	Material
1	AS TRANSMISSION	X	1	9913000209F
2	HEX. NUT M10 KLLN9338 1.7220.3	X	4	90081702101
3	AS PRESSURE LINE CLUTCH OPERATOR	X	1	9914234638A
4	SUPPORT		1	99157383901
5	COUPLING DASH 4	X	1	99923056430
6	AS VENT LINE SHORT	X	1	9914234618B
7	SET,SEALINGS TRANSMISSION	X	1	9913009139A
8	SET,LOCKING RING	X	1	9913009159A

3.4 gearbox cooling system



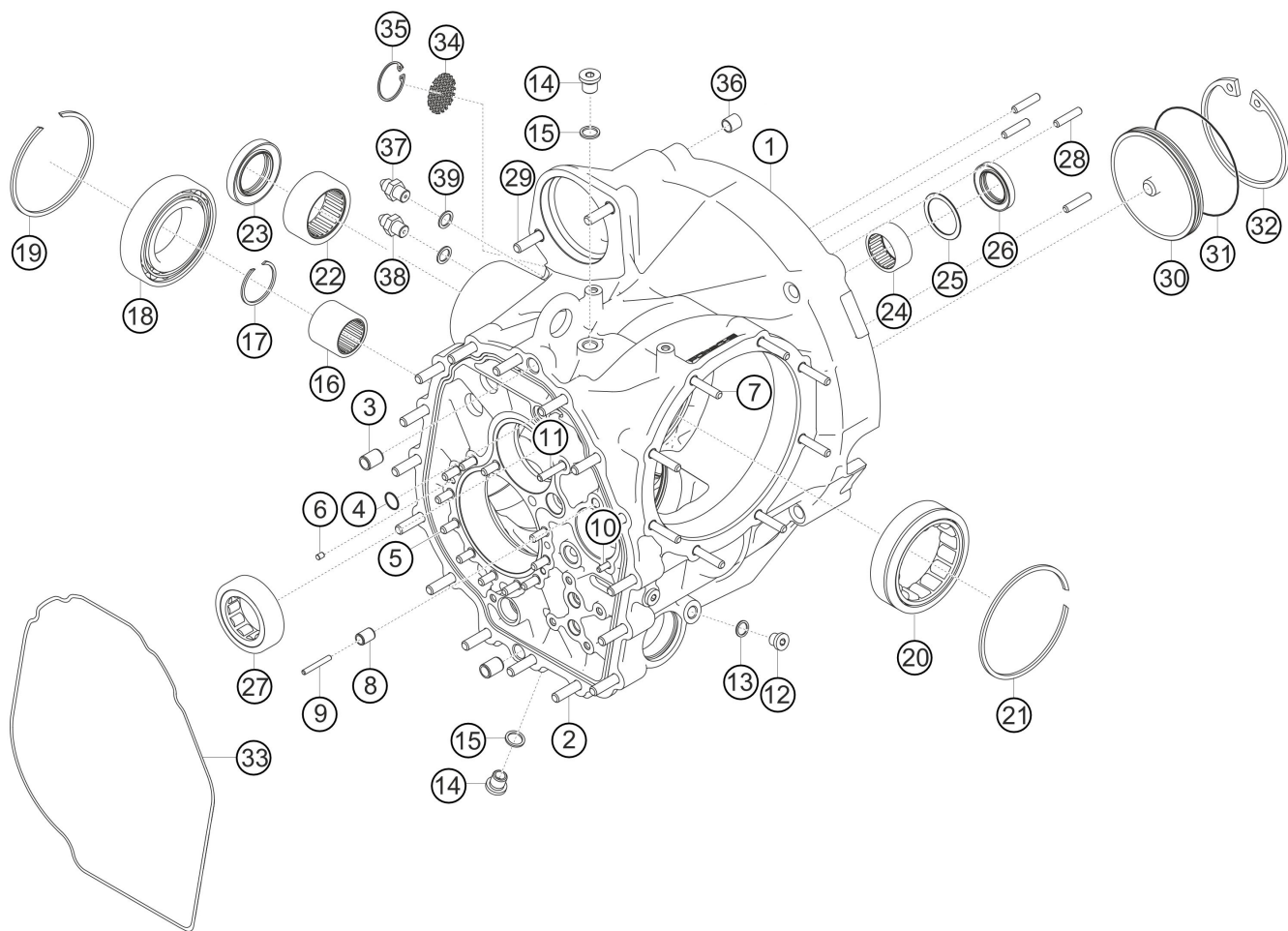
Item no.	Description	M	Pc.	Material
1	TRANSM.OIL COOLER	X	1	9913072098A
2	O-RING		8	90033102140
3	REINFORCING PLATE HEAT EXCHANGER	X	1	9913072199B
4	HEX. NUT M6 LN9338 1.7220.3	X	5	90081700102
5	NECK	X	2	9973074419A
6	ALUM.SEALING RING 22X27 D 7603 AL99,5		2	90012311830

3.5 gearbox housing



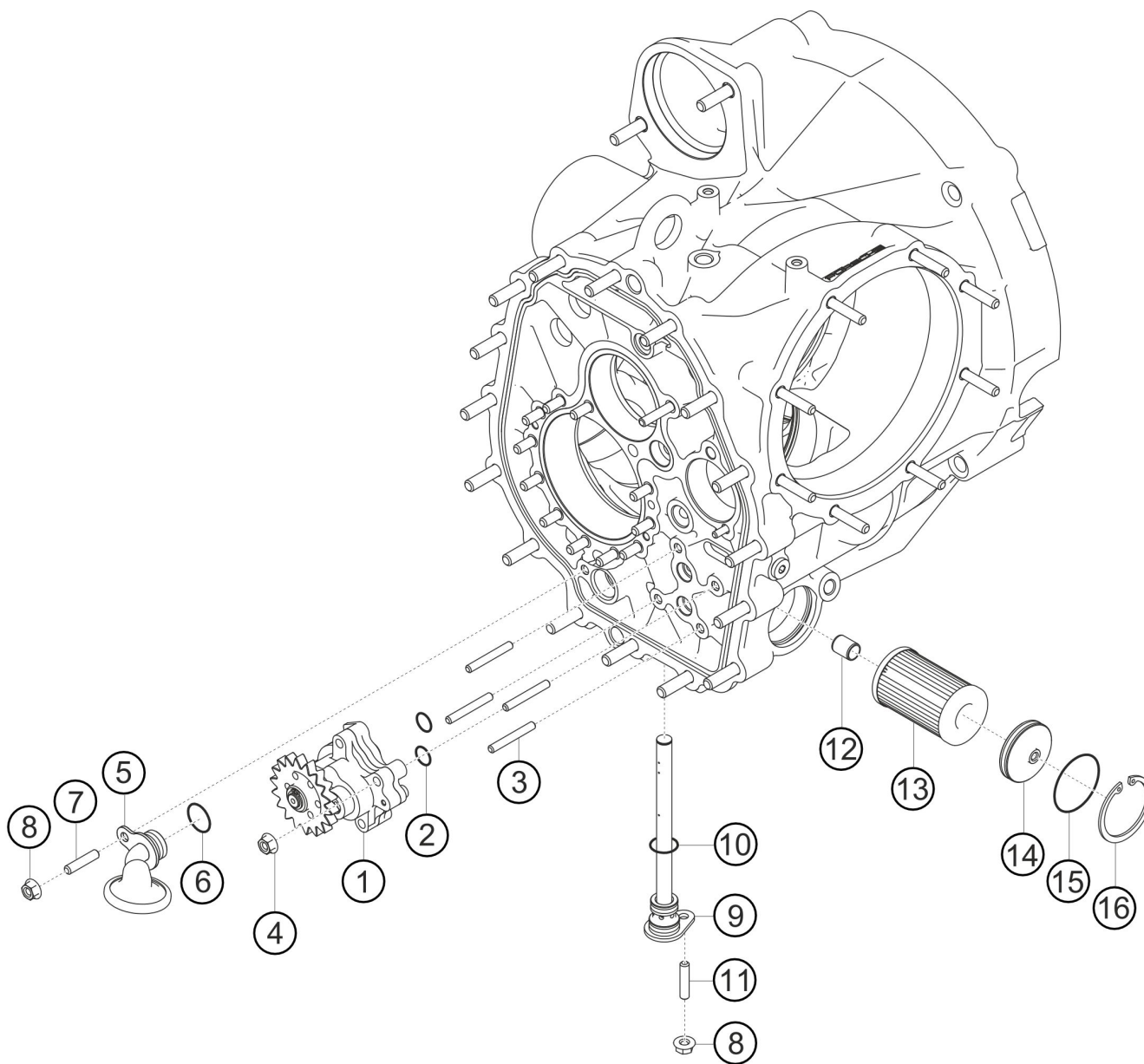
Item no.	Description	M	Pc.	Material
1	TRANSMISSION CASE	X	1	9913015019C
2	STUD B M 8X50 PN1213 8.8 B110	X	16	99906201201
3	SLEEVE	X	2	9913016439B
4	SEALING RING 11,50X2,5 N* FPM 75	X	1	99970131740
5	SCREW M8x26 10.9	X	11	99906231101
6	LOCATING PIN	X	2	9913016459B
7	STUD B M 8X30 PN1213 8.8 B110	X	8	99906204401
8	SLEEVE	X	1	9913034989B
9	STUD B M 6X35 PN1213 8.8 B110	X	1	99906209301
10	STUD B M 6X10 *PN1213 8.8 B110	X	1	99906200101
11	STUD B M 8X30 PN1213 8.8 B110	X	1	99906204401
12	SCREW PLUG M10x1 ALMGS11 F38	X	3	90021901630
13	SEALING RING	X	3	90012300320
14	SCREW PLUG M12x1,5 DIN908 ALMGS11 F38		3	90021900630
15	ALUM.SEALING RING 12X18 D 7603 AL		3	90012310130
16	NEEDLE BEARING	X	1	9913024919A
17	LOCKING RING	X	1	9913027819A
18	CYL.ROLLER BEARING	X	1	9913024929A
19	SNAP RING SB 90X2,50 FED-ST B110	X	1	99915209501
20	CYL.ROLLER BEARING	X	1	9913326459A
21	SNAP RING SB 98X2,50 FED-ST B110	X	1	99915213801
22	NEEDLE BEARING	X	1	9913326439A
23	SEAL AS48X68X10 ACM 75806		1	99911334740

3.5 gearbox housing



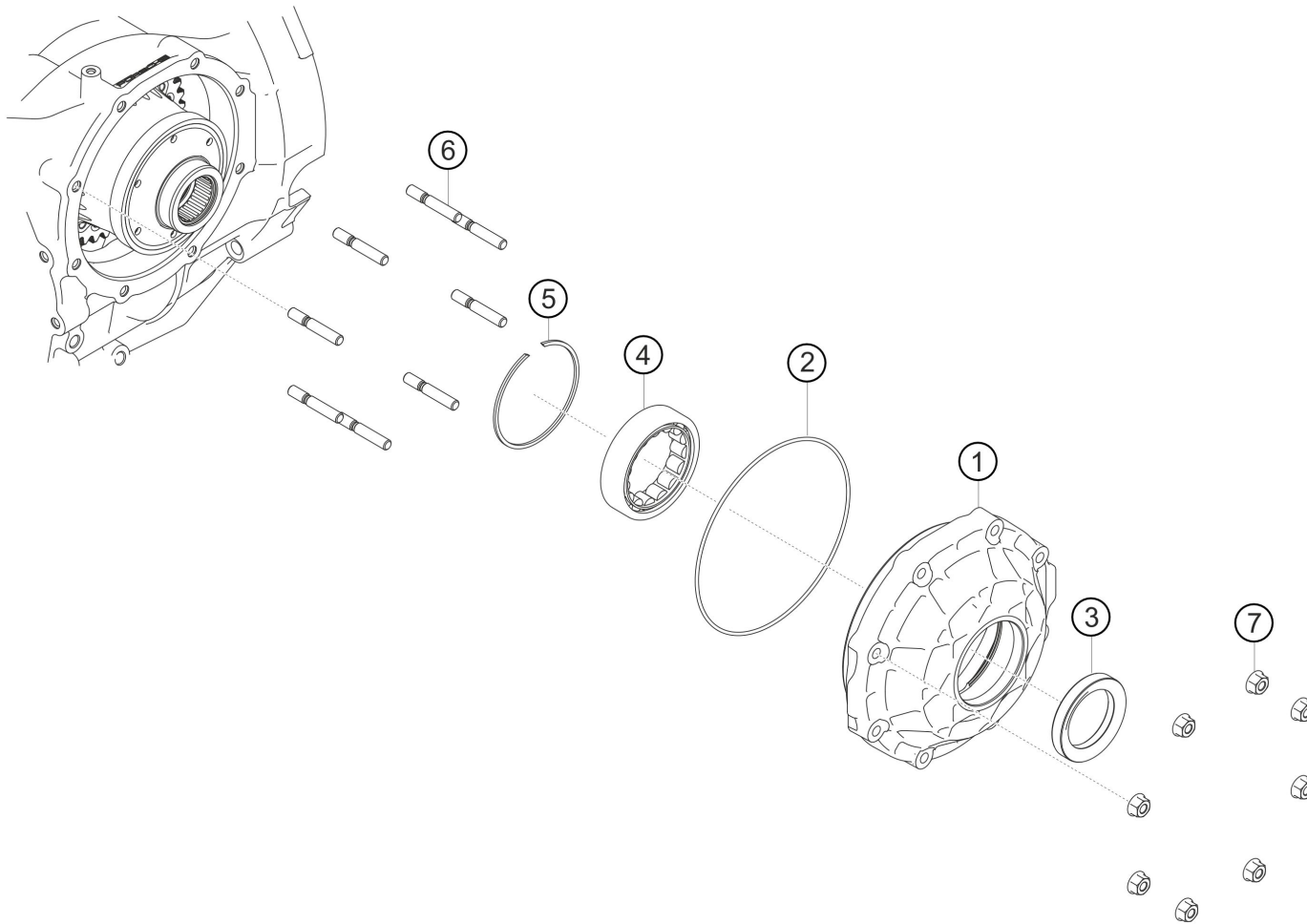
Item no.	Description	M	Pc.	Material
24	NEEDLE BUSH 30X37X16 DIN618 100CR6/ST	X	1	99920121000
25	GUIDE RING	X	1	9913011199B
26	SHAFT SEALING RING	X	1	9973023519A
27	CYL.ROLLER BEARING	X	1	9913022839A
28	STUD B M 6X18 PN1213 8.8 B110	X	4	99906200301
29	STUD B M10X22 PN1213 8.8 B110	X	2	99906201401
30	LID	X	1	9913011819B
31	SEALING RING 90,00X2,5 N* FPM 80	X	1	99970716640
32	SNAP RING 98X3 DIN472 FED-ST B110	X	1	90004206701
33	O-RING SEAL	X	1	9913011629A
34	PERFORATED PANEL	X	1	9911167109A
35	LOCKING RING	X	1	9913027819A
36	BUSH 12,1X14		1	99953101710
37	DOUBLE ADAPTOR	X	1	96235552200
38	ADAPTER 10x1	X	1	99910502730
39	SEALING RING	X	2	90012300320

3.6 gearbox lubrication



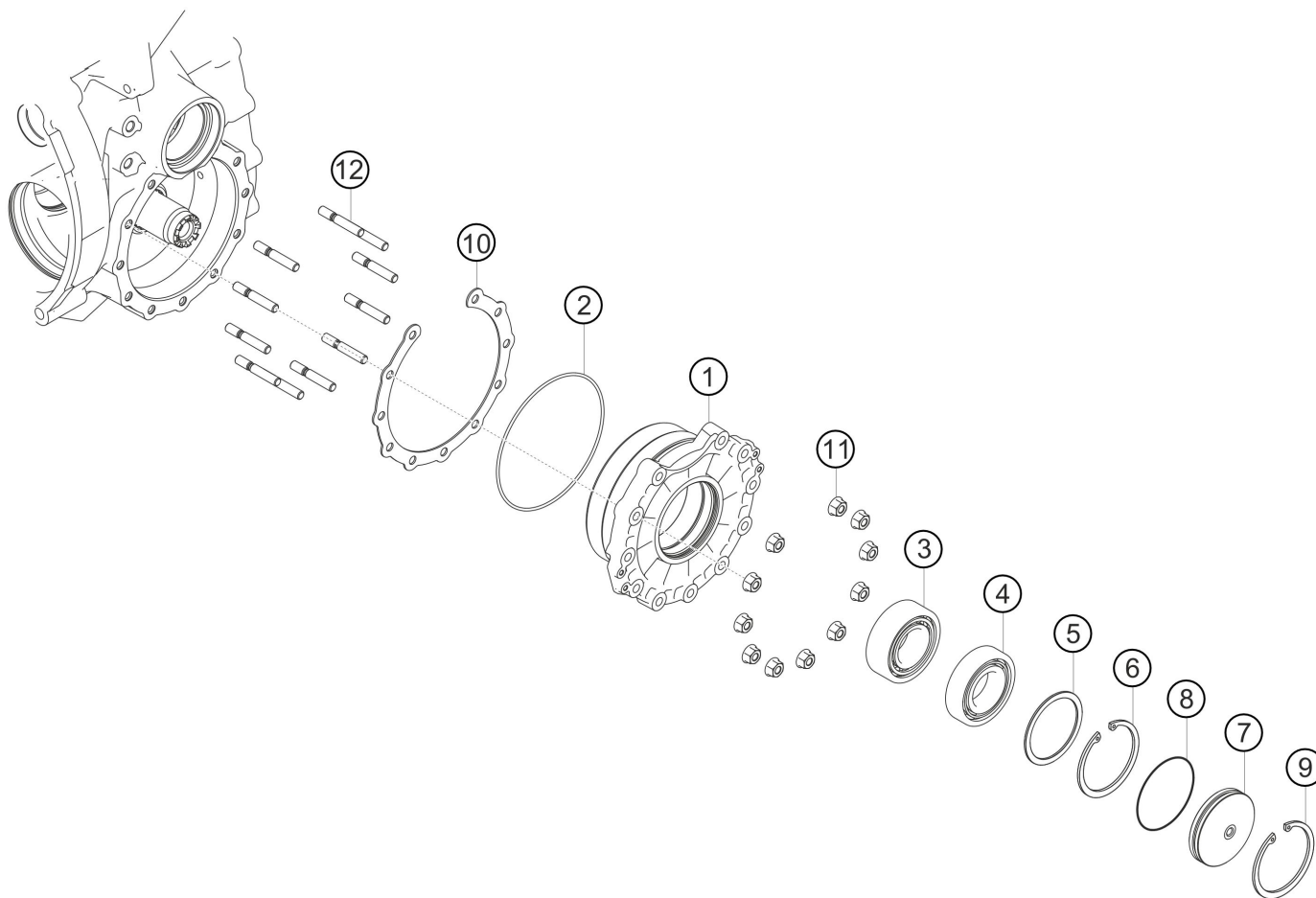
Item no.	Description	M	Pc.	Material
1	AS OIL PUMP CPL.	X	1	9913070039A
2	O-RING		2	99970714640
3	SCREW M6X28 8.8		4	99906210002
4	HEX. NUT M6 LN9338 1.7220.3	X	4	90081700102
5	AS SUCTION TUBE	X	1	9913070519D
6	SEALING RING 15,00X2,5 N* FPM 80	X	1	99970180940
7	STUD B M 6X10 *PN1213 8.8 B110	X	1	99906200101
8	HEX. NUT M6 LN9338 1.7220.3	X	2	90081700102
9	AS INJECTION TUBE PINION SHAFT	X	1	9913070559C
10	SEALING RING 12,50X2,5 N* FPM 80	X	2	99970149640
11	STUD B M 6X10 *PN1213 8.8 B110	X	1	99906200101
12	SLEEVE	X	1	9913013079B
13	OIL-FILTER INSERT	X	1	9R630701000
14	CLOSURE CAP OIL FILTER	X	1	9913074219B
15	O-RING		1	99970701240
16	SNAP RING 45X1,75 DIN472 FED-ST B110	X	1	90004206101

3.7 differential cover for transmission case



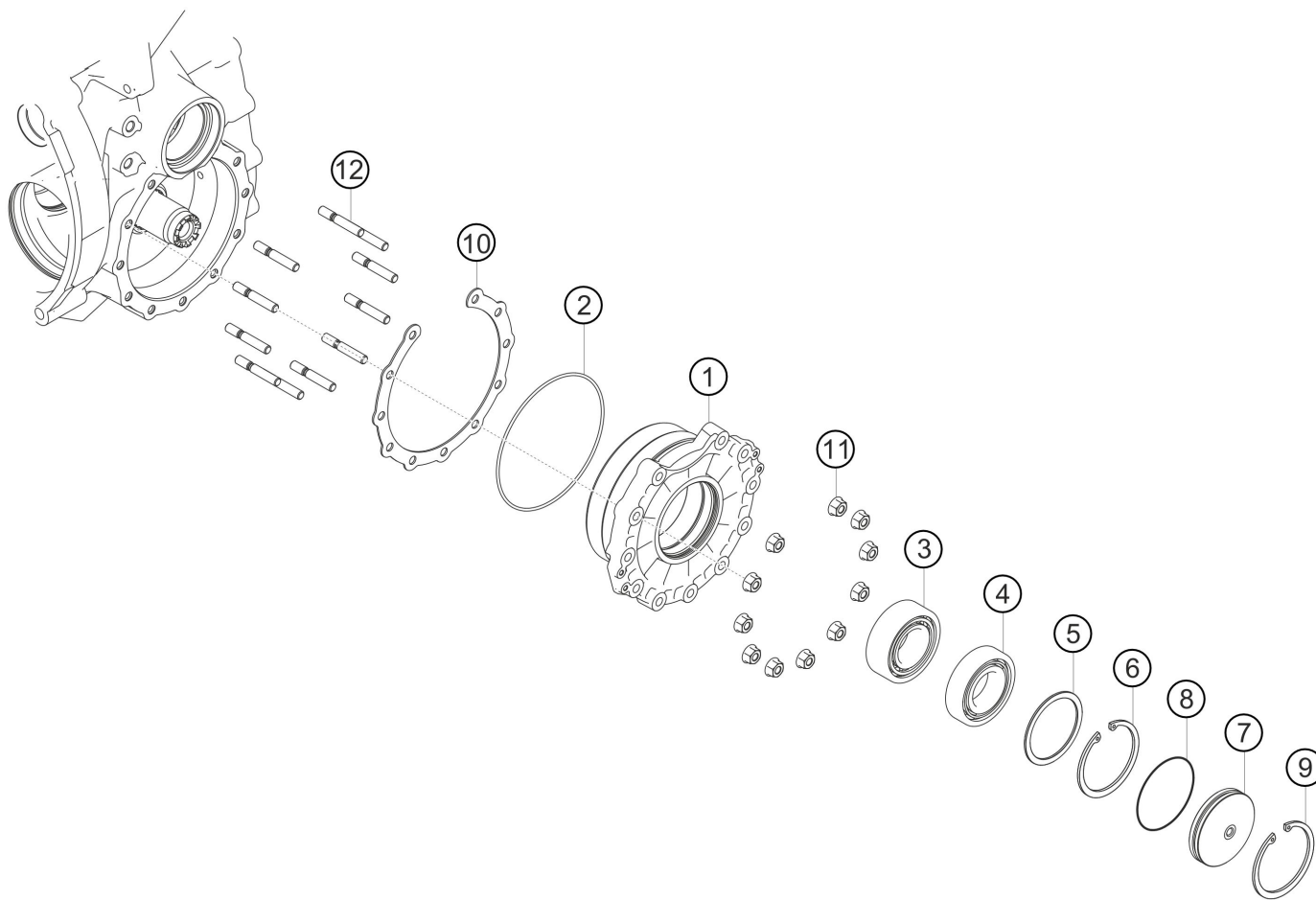
Item no.	Description	M	Pc.	Material
1	TRANSMISSION COVER	X	1	9913013019B
2	SEALING RING 155,0X2,50N FPM-70 SW *	X	1	99970158140
3	SEAL AS48X68X10 ACM 75806		1	99911334740
4	CYL.ROLLER BEARING	X	1	9913326419C
5	SNAP RING SB 85X2,00 FED-ST B110	X	1	99915211701
6	STUD B M 8X30 PN1213 8.8 B110	X	8	99906204401
7	HEXAGON NUT		8	90037701601

3.8 cover transmission case



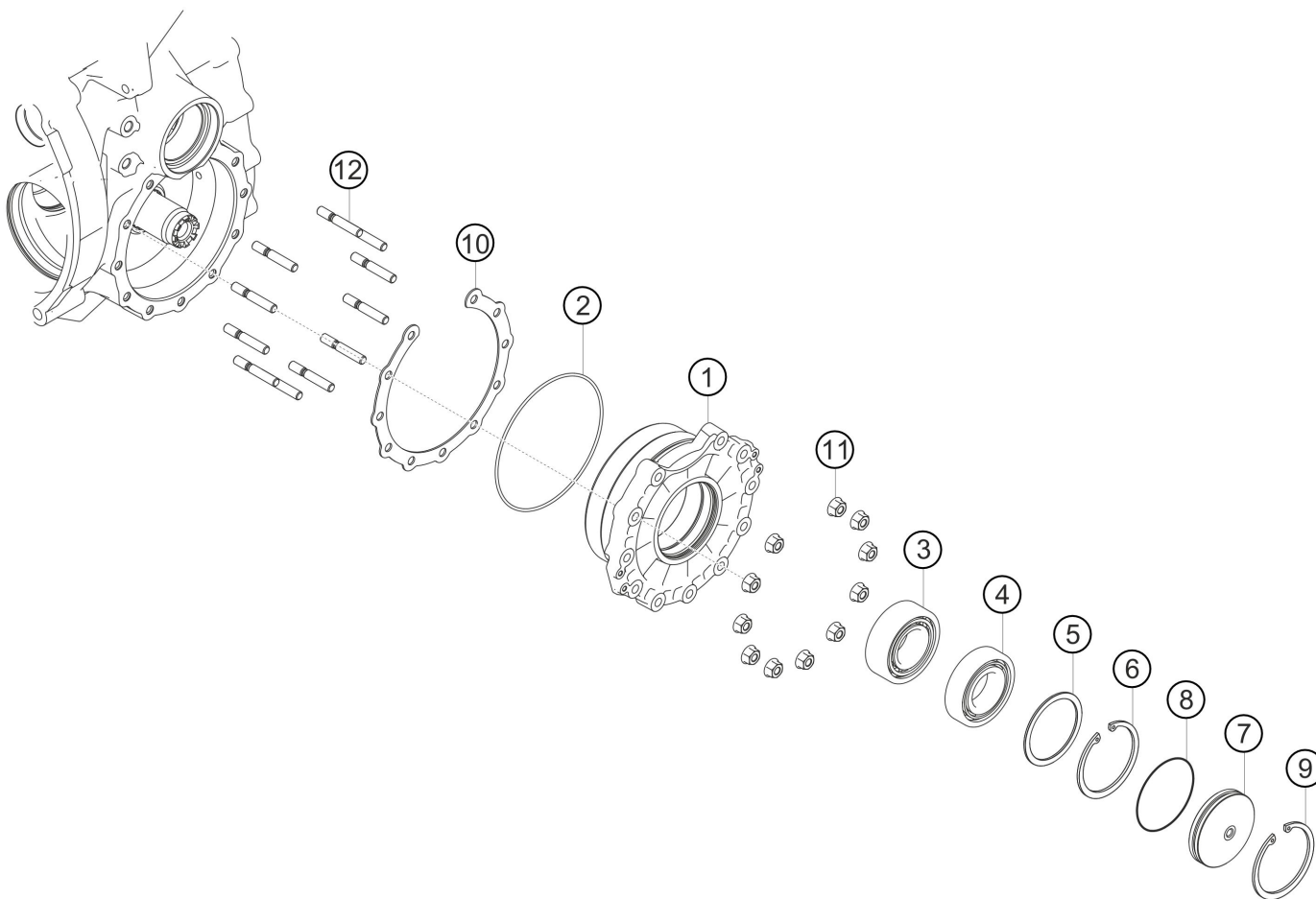
Item no.	Description	M	Pc.	Material
1	TRANSMISSION COVER RH	X	1	9913014019A
2	SEALING RING 130,0X2,50N FPM-70 SW *	X	1	99970158040
3	CYL.ROLLER BEARING	X	1	9913024949A
4	ANGULAR BALL BEARING	X	1	9913024969A
5	ADJUSTING DISK THICKNESS 1,55	X	1	99130212901
5	ADJUSTING DISK THICKNESS 1,60	X	1	99130212902
5	ADJUSTING DISK THICKNESS 1,65	X	1	99130212903
5	ADJUSTING DISK 1,70	X	1	99130212904
5	ADJUSTING DISK THICKNESS 1,75	X	1	99130212905
5	ADJUSTING DISK 1,80	X	1	99130212906
5	ADJUSTING DISK THICKNESS 1,85	X	1	99130212907
5	ADJUSTING DISK THICKNESS 1,90	X	1	99130212908
5	ADJUSTING DISK THICKNESS 1,95	X	1	99130212909
5	ADJUSTING DISK THICKNESS 2,00	X	1	99130212910
5	ADJUSTING DISK THICKNESS 2,05	X	1	99130212911
5	ADJUSTING DISK THICKNESS 2,10	X	1	99130212912
5	ADJUSTING DISK THICKNESS 2,15	X	1	99130212913
5	ADJUSTING DISK THICKNESS 2,20	X	1	99130212914
5	ADJUSTING DISK THICKNESS 2,25	X	1	99130212915
5	ADJUSTING DISK THICKNESS 2,30	X	1	99130212916
5	ADJUSTING DISK THICKNESS 2,35	X	1	99130212917
5	ADJUSTING DISK THICKNESS 2,40	X	1	99130212918
5	ADJUSTING DISK THICKNESS 2,45	X	1	99130212919

3.8 cover transmission case



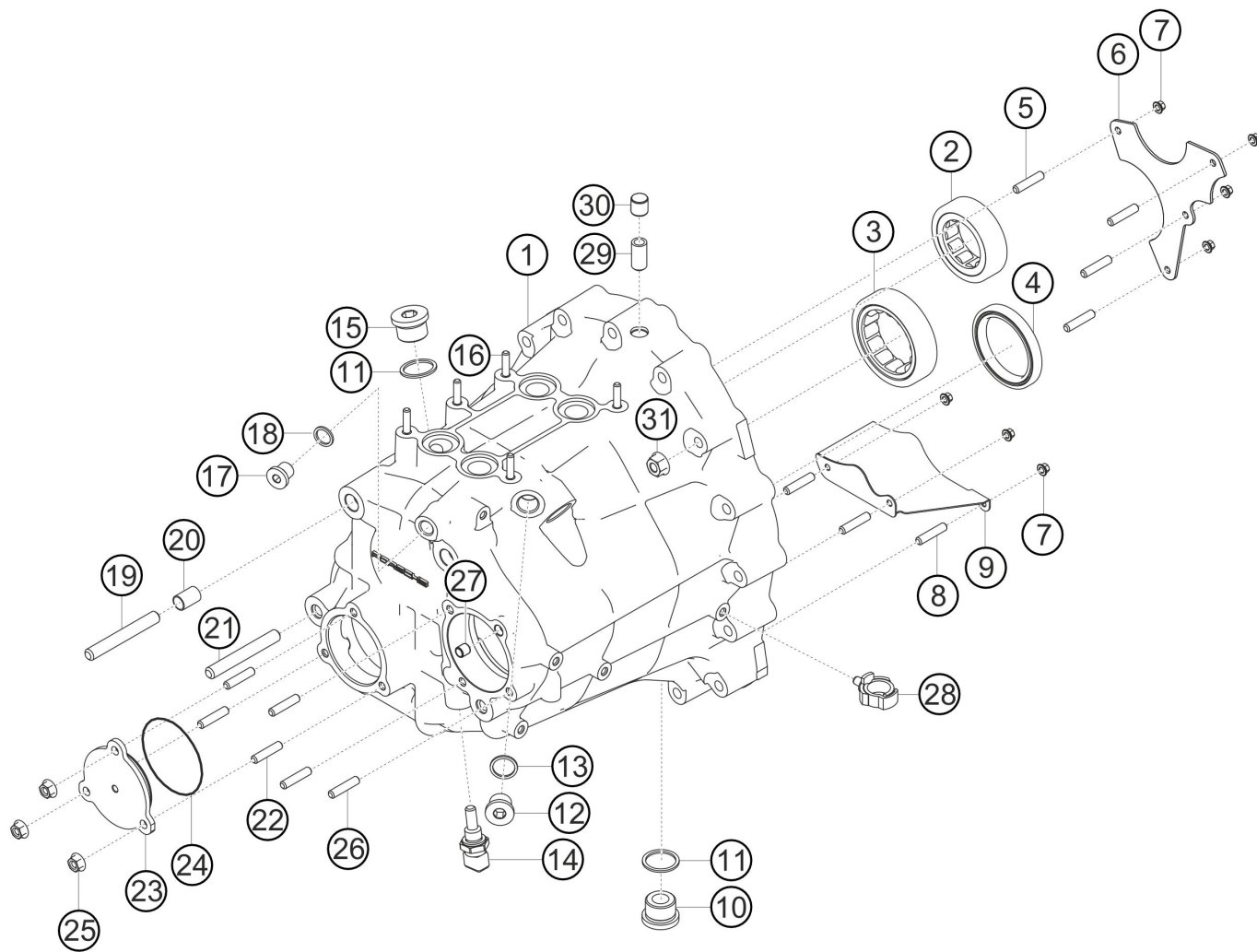
Item no.	Description	M	Pc.	Material
5	ADJUSTING DISK THICKNESS 2,50	X	1	99130212920
5	ADJUSTING DISK	X	1	99130212921
5	ADJUSTING DISK	X	1	99130212922
5	ADJUSTING DISK	X	1	99130212923
5	ADJUSTING DISK	X	1	99130212924
5	ADJUSTING DISK	X	1	99130212925
5	ADJUSTING DISK	X	1	99130212926
5	ADJUSTING DISK	X	1	99130212927
5	ADJUSTING DISK thickness 1,50	X	1	99130212900
6	LOCK RING	X	1	90004204901
7	CLOSURE CAP	X	1	9913013039B
8	SEALING RING 67,00X2,5 N* FPM 70	X	1	99970715140
9	SNAP RING 75X2,5 DIN472 FED-ST B110	X	1	90004203101
10	ADJUSTING DISK THICKNESS 1,00	X	1	99130212800
10	ADJUSTING DISK THICKNESS 1,05	X	1	99130212801
10	ADJUSTING DISK THICKNESS 1,10	X	1	99130212802
10	ADJUSTING DISK THICKNESS 1,15	X	1	99130212803
10	ADJUSTING DISK THICKNESS 1,20	X	1	99130212804
10	ADJUSTING DISK THICKNESS 1,25	X	1	99130212805
10	ADJUSTING DISK THICKNESS 1,30	X	1	99130212806
10	ADJUSTING DISK THICKNESS 1,35	X	1	99130212807
10	ADJUSTING DISK THICKNESS 1,40	X	1	99130212808
10	ADJUSTING DISK THICKNESS 1,45	X	1	99130212809

3.8 cover transmission case



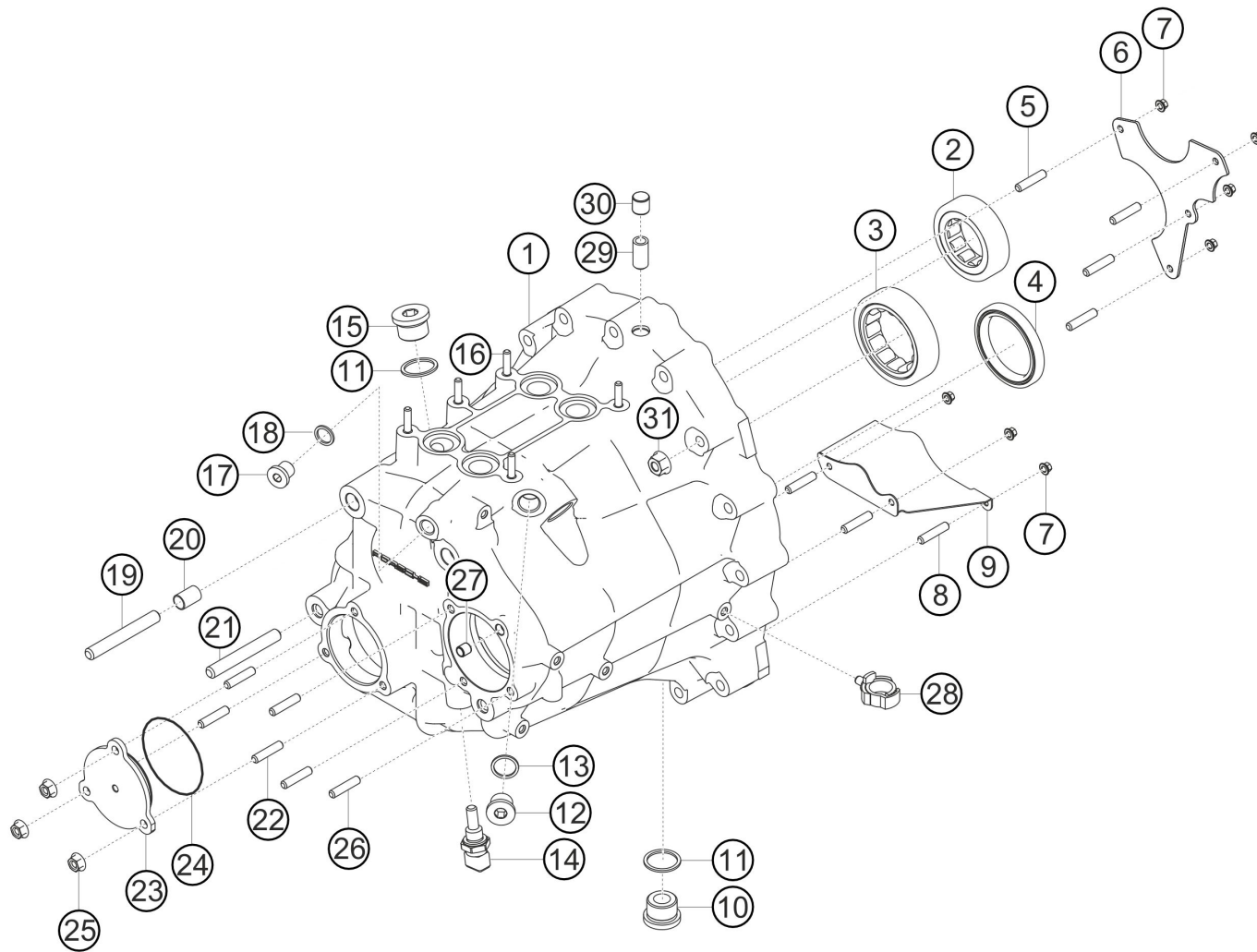
Item no.	Description	M	Pc.	Material
10	ADJUSTING DISK THICKNESS 1,50	X	1	99130212810
10	ADJUSTING DISK THICKNESS 1,55	X	1	99130212811
10	ADJUSTING DISK THICKNESS 1,60	X	1	99130212812
10	ADJUSTING DISK THICKNESS 1,65	X	1	99130212813
10	ADJUSTING DISK THICKNESS 1,70	X	1	99130212814
10	ADJUSTING DISK THICKNESS 1,75	X	1	99130212815
10	ADJUSTING DISK THICKNESS 1,80	X	1	99130212816
10	ADJUSTING DISK THICKNESS 1,85	X	1	99130212817
10	ADJUSTING DISK THICKNESS 1,90	X	1	99130212818
10	ADJUSTING DISK THICKNESS 1,95	X	1	99130212819
10	ADJUSTING DISK THICKNESS 2,00	X	1	99130212820
10	ADJUSTING DISK THICKNESS 2,05	X	1	99130212821
10	ADJUSTING DISK THICKNESS 2,10	X	1	99130212822
10	ADJUSTING DISK THICKNESS 2,15	X	1	99130212823
10	ADJUSTING DISK THICKNESS 2,20	X	1	99130212824
10	ADJUSTING DISK THICKNESS 2,25	X	1	99130212825
11	HEXAGON NUT		11	90037701601
12	STUD B M 8X30 PN1213 8.8 B110	X	11	99906204401

3.9 gearhousing



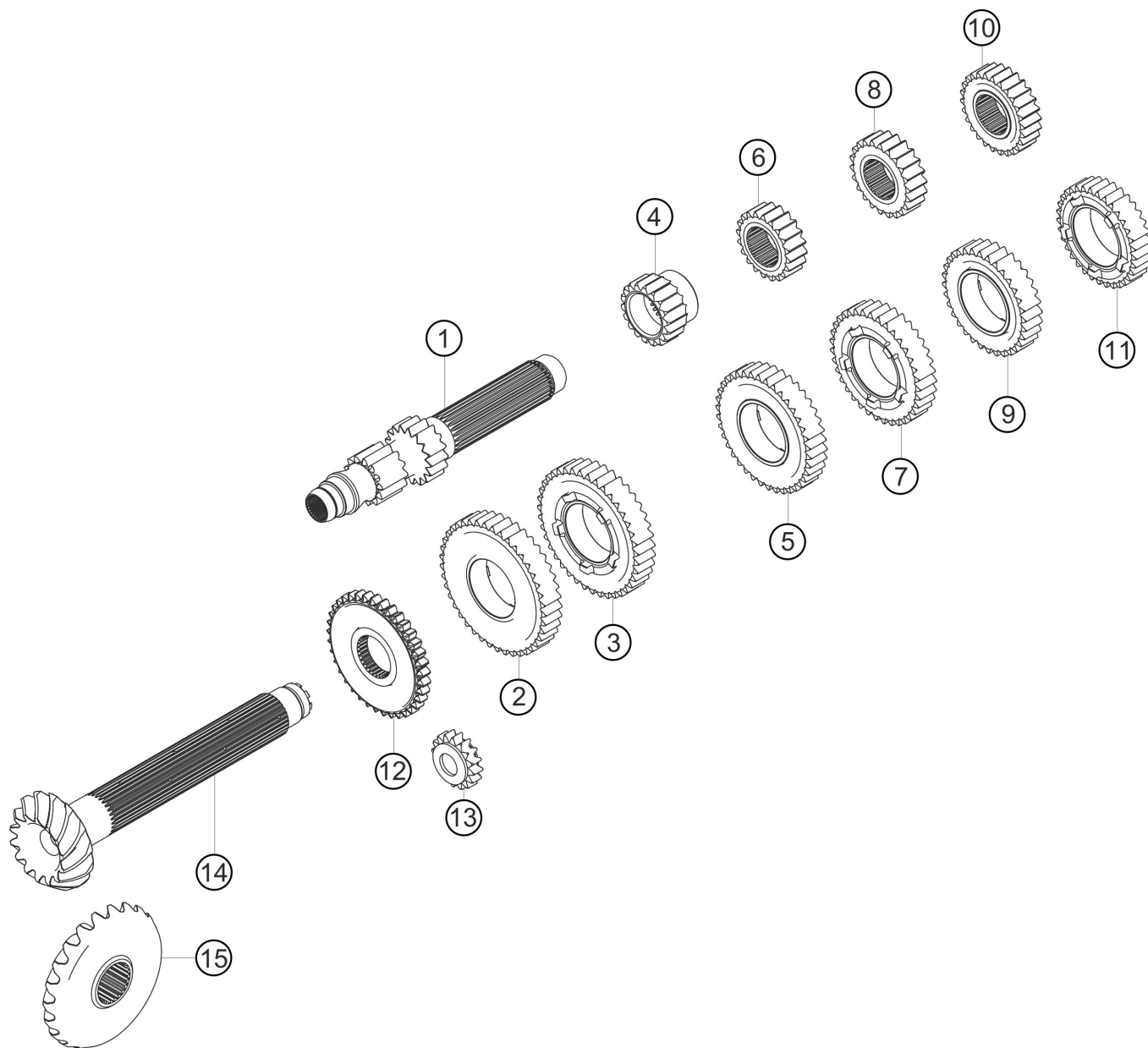
Item no.	Description	M	Pc.	Material
1	GEAR HOUSING	X	1	9913012019B
2	CYL.ROLLER BEARING	X	1	9913022839A
3	CYL.ROLLER BEARING FRONT	X	1	9913022919B
4	GROOVED BALL BEARING 50X65X7 DIN625 100CR6/ST	X	1	90005222500
5	STUD B M 5X10 *PN1213 8.8 B110	X	4	99906213601
6	RETAINING PANEL	X	1	9913013519B
7	HEX. NUT M5 LN9338 1.7220.3	X	7	90081700502
8	SETSCREW M 5X20 12.9 U120	X	3	99906900509
9	BAFFLE	X	1	9913070619B
10	SCREW PLUG	X	1	9913013099A
11	ALUM.SEALING RING 22X27 D 7603 AL99,5		1	90012311830
12	SCREW PLUG M16x1,5 DIN908 AL3		1	90021900430
13	SEALING RING A 16x20 D 7603 ALMGS11 F28		1	90012301830
14	TEMPERATURE SENSOR TRANSMISSION	X	1	9966062249A
15	SCREW PLUG M22x1,5 DIN908 AL3		1	90021900130
16	SCREW M6x15 8.8	X	5	99906200201
17	SCREW PLUG M12x1,5 DIN908 ALMGS11 F38		3	90021900630
18	ALUM.SEALING RING 12X18 D 7603 AL		3	90012310130
19	STUD B M10FOX52DIN835 10.9 B110 *	X	2	90006010701
20	SLEEVE	X	2	9913016419B
21	STUD M10X45 PN1213 10.9 B110	X	2	99906229201
22	STUD B M 6X10 *PN1213 8.8 B110	X	3	99906200101
23	LID	X	1	9913012119C

3.9 gearhousing



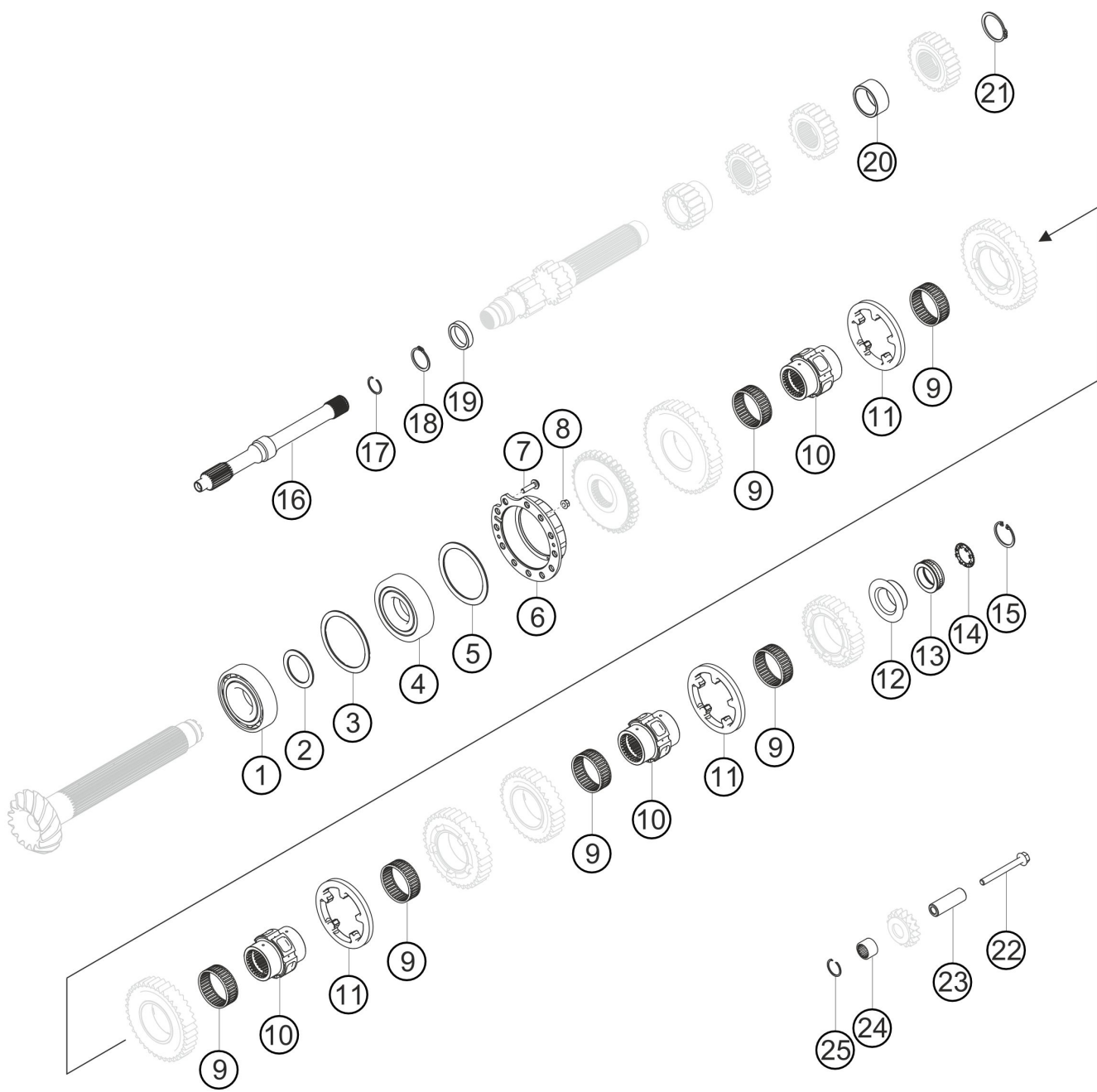
Item no.	Description	M	Pc.	Material
24	SEALING RING 47,00X2,5 N* ACM 70	X	1	99970704440
25	HEX. NUT M6 LN9338 1.7220.3	X	3	90081700102
26	STUD M 6X18 PN1213 8.8 C350		3	99906200302
27	SLEEVE	X	1	9913013579B
28	CABLE HOLDER		4	99950707540
29	SLEEVE		1	0A2301473
30	CAP		1	99630171000
31	HEXAGON NUT		16	90037701601

3.10 set of gears



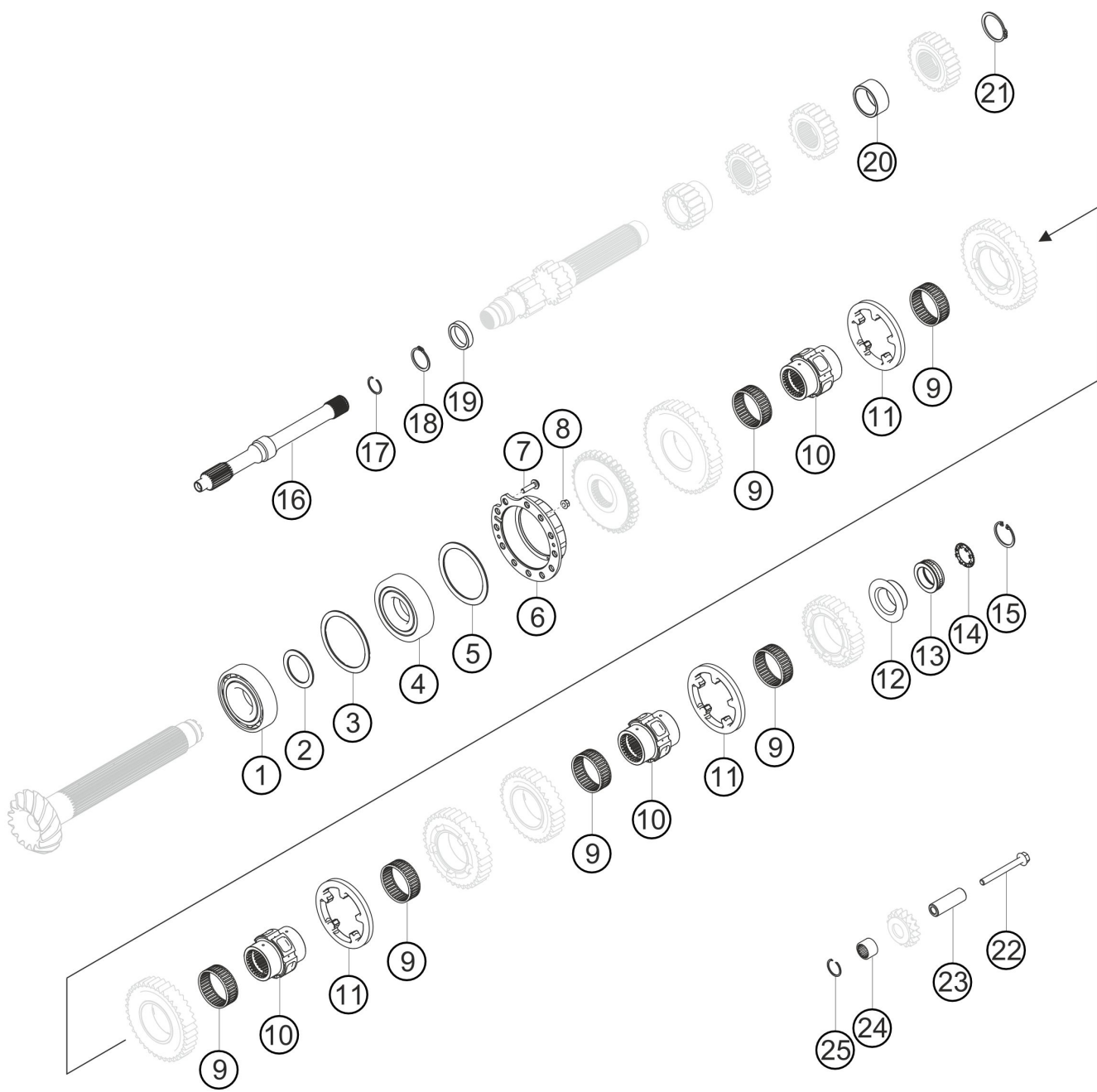
Item no.	Description	M	Pc.	Material
1	DRIVE SHAFT 2ND GEAR/17:40	X	1	9913021019H
2	IDLER GEAR 1ST GEAR/13:41	X	1	9913025016B
3	IDLER GEAR 2ND GEAR/17:40	X	1	9913025026D
4	FIXED GEAR 3RD GEAR/19:36	X	1	9913025139E
5	IDLER GEAR 3RD GEAR/19:36	X	1	9913025036E
6	FIXED GEAR 4TH GEAR/19:29	X	1	9913025149K
7	IDLER GEAR 4TH GEAR/19:29	X	1	9913025046K
8	FIXED GEAR 5TH GEAR/24:30	X	1	9913025159F
9	IDLER GEAR 5TH GEAR/24:30	X	1	9913025056F
10	FIXED GEAR 6TH GEAR/34:35	X	1	9913025169H
11	IDLER GEAR 6TH GEAR/34:35	X	1	9913025066H
12	SPUR GEAR REVERSE GEAR	X	1	9913022259A
13	REVERSE GEAR	X	1	9913022239A
14	AS PINION SHAFT	X	1	9913020119F
15	RING GEAR	X	1	9913021139B

3.11 bearings and sleeves



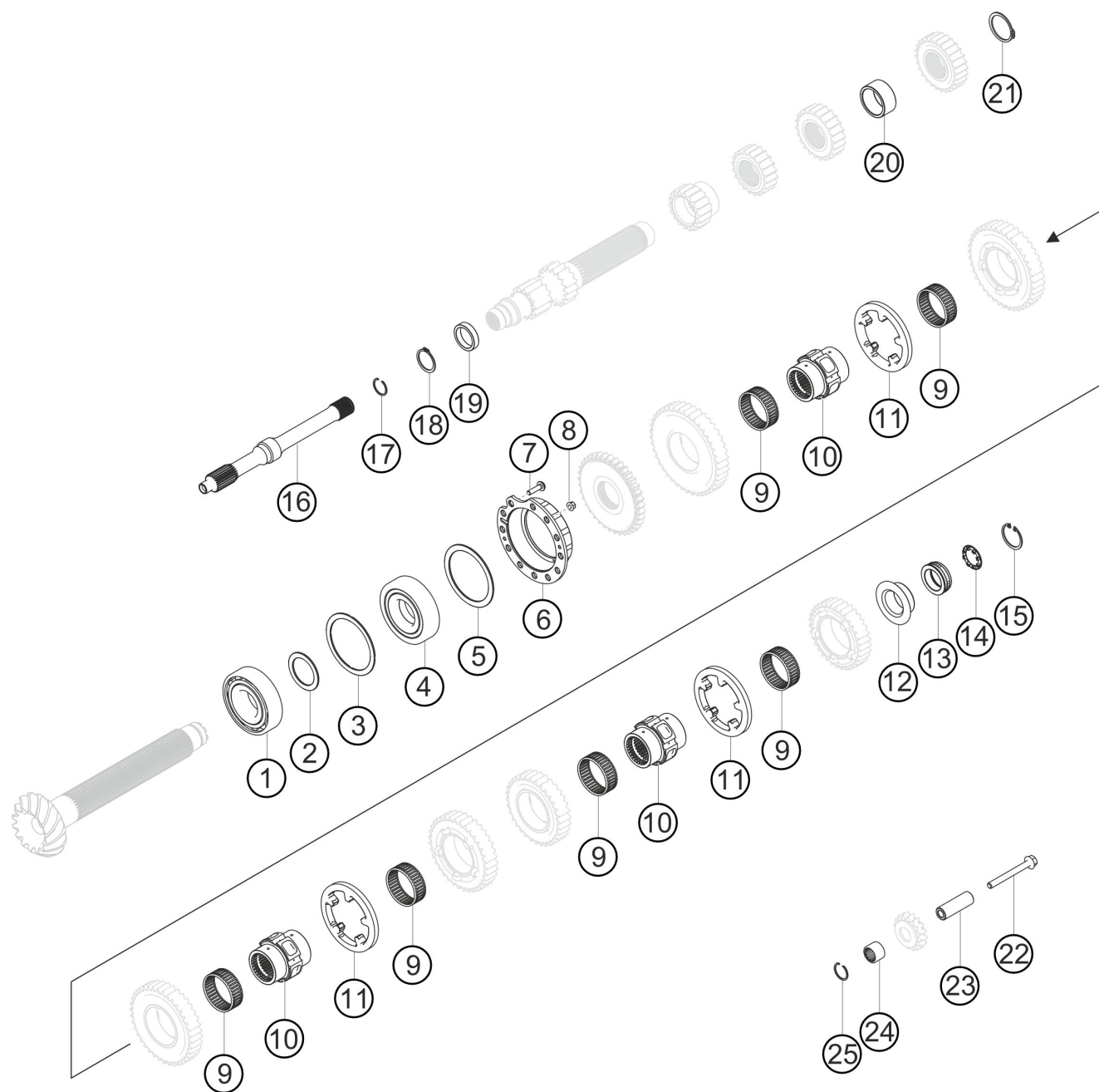
Item no.	Description	M	Pc.	Material
1	CYL.ROLLER BEARING	X	1	9913022959B
2	ADJUSTING DISK 2,60 MM	X	1	99130212437
2	ADJUSTING DISK 2,57 MM	X	1	99130212436
2	ADJUSTING DISK 2,54 MM	X	1	99130212435
2	ADJUSTING DISK 2,51 MM	X	1	99130212434
2	ADJUSTING DISK 2,48 MM	X	1	99130212433
2	ADJUSTING DISK 2,45 MM	X	1	99130212432
2	ADJUSTING DISK 2,42 MM	X	1	99130212431
2	ADJUSTING DISK 2,39 MM	X	1	99130212430
2	ADJUSTING DISK 2,36 MM	X	1	99130212429
2	ADJUSTING DISK 2,33 MM	X	1	99130212428
2	ADJUSTING DISK 2,30 MM	X	1	99130212427
2	ADJUSTING DISK 2,27 MM	X	1	99130212426
2	ADJUSTING DISK 2,24 MM	X	1	99130212425
2	ADJUSTING DISK 2,21 MM	X	1	99130212424
2	ADJUSTING DISK 2,18 MM	X	1	99130212423
2	ADJUSTING DISK 2,15 MM	X	1	99130212422
2	ADJUSTING DISK 2,12 MM	X	1	99130212421
2	ADJUSTING DISK 2,09 MM	X	1	99130212420
2	ADJUSTING DISK 2,06 MM	X	1	99130212419
2	ADJUSTING DISK 2,03 MM	X	1	99130212418
2	ADJUSTING DISK 2,00 MM	X	1	99130212417
2	ADJUSTING DISK 1,97 MM	X	1	99130212416

3.11 bearings and sleeves



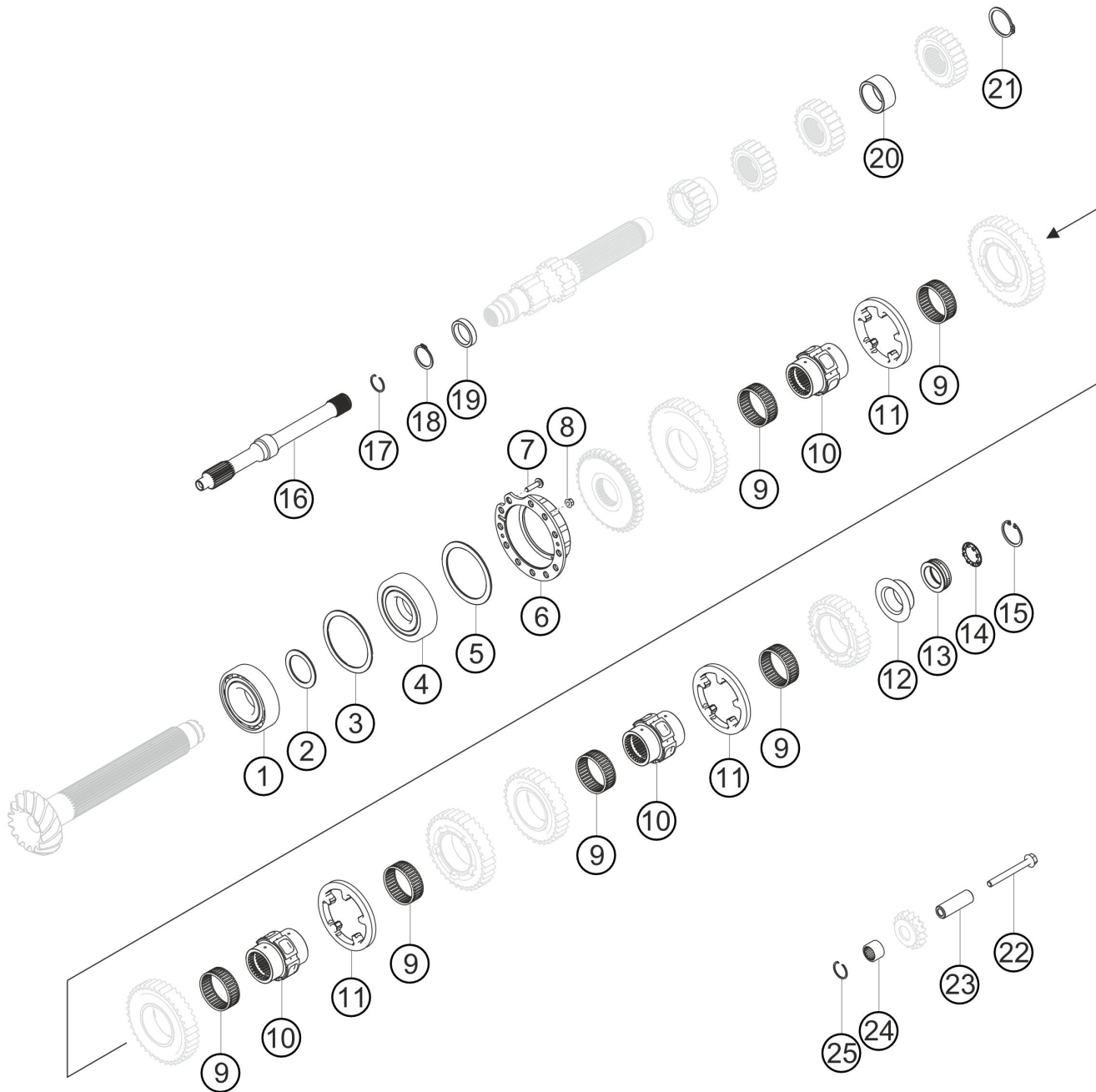
Item no.	Description	M	Pc.	Material
2	ADJUSTING DISK 1,94 MM	X	1	99130212415
2	ADJUSTING DISK 1,91 MM	X	1	99130212414
2	ADJUSTING DISK 1,88 MM	X	1	99130212413
2	ADJUSTING DISK 1,85 MM	X	1	99130212412
2	ADJUSTING DISK 1,82 MM	X	1	99130212411
2	ADJUSTING DISK 1,79 MM	X	1	99130212410
2	ADJUSTING DISK 1,76 MM	X	1	99130212409
2	ADJUSTING DISK 1,73 MM	X	1	99130212408
2	ADJUSTING DISK 1,7 MM	X	1	99130212407
2	ADJUSTING DISK 1,67 MM	X	1	99130212406
2	ADJUSTING DISK 1,64 MM	X	1	99130212405
2	ADJUSTING DISK 1,61 MM	X	1	99130212404
2	ADJUSTING DISK 1,58 MM	X	1	99130212403
2	ADJUSTING DISK 1,55 MM	X	1	99130212402
2	ADJUSTING DISK 1,52 MM	X	1	99130212401
3	SPACING WASHER	X	1	9913022539A
4	ANGULAR BALL BEARING	X	1	9913022969A
5	ADJUSTING DISK 2,21 MM	X	1	9913022529Q
5	ADJUSTING DISK THICKNESS 2,18	X	1	9913022529P
5	ADJUSTING DISK THICKNESS 2,15	X	1	9913022529N
5	ADJUSTING DISK THICKNESS 2,12	X	1	9913022529L
5	ADJUSTING DISK THICKNESS 2,09	X	1	9913022529K
5	ADJUSTING DISK 2,06 MM	X	1	9913022529I

3.11 bearings and sleeves



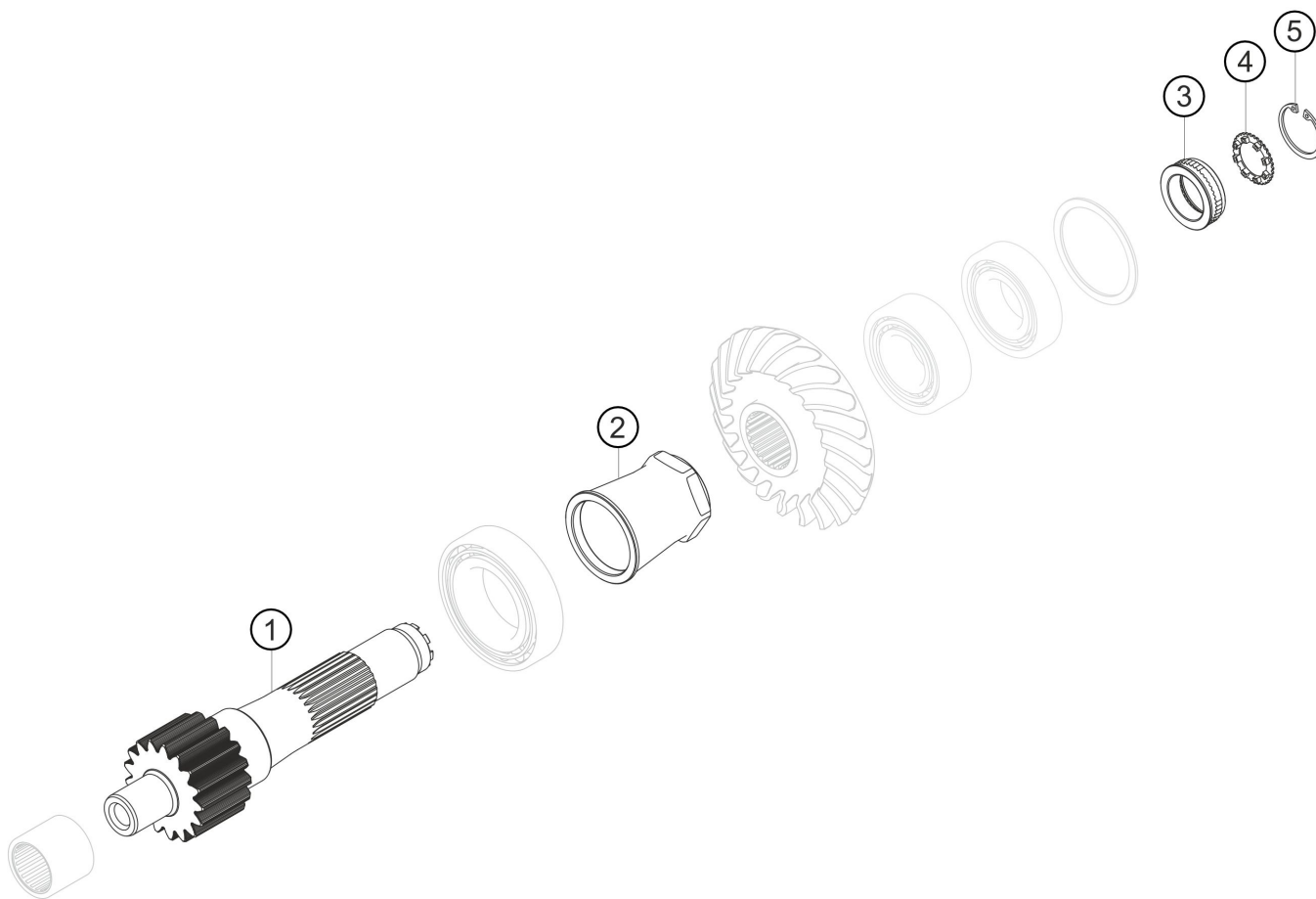
Item no.	Description	M	Pc.	Material
5	ADJUSTING DISK 2,03 mm	X	1	9913022529H
5	ADJUSTING DISK THICKNESS 2,00	X	1	9913022529F
5	ADJUSTING DISK THICKNESS 1,97	X	1	9913022529E
5	ADJUSTING DISK THICKNESS 1,94	X	1	9913022529D
5	ADJUSTING DISK THICKNESS 1,91	X	1	9913022529C
5	ADJUSTING DISK THICKNESS 1,88	X	1	9913022529B
5	ADJUSTING DISK THICKNESS 1,85	X	1	9913022529A
6	RETAINING FRAME PINION SHAFT	X	1	9913022519B
7	PAN-HEAD SCREW	X	1	9913022859B
8	HEX. NUT M8 LN9338 1.7220.3		11	90081700202
9	NEEDLE CAGE	X	6	9913022979A
10	GUIDING SLEEVE	X	3	9913042219B
11	SELECTOR SLEEVE	X	3	9913046319A
12	INNER RING PINION SHAFT	X	1	9913022989A
13	NUT	X	1	9913027919A
14	LOCKING RING	X	1	9913027939A
15	SNAP RING 36X1,5 FED-ST B110	X	1	99904231301
16	CONNECTING SHAFT	X	1	9913021319A
17	SNAP RING B 22 D 7993 1.4310	X	1	90090603900
18	OUTER RING	X	1	90004101501
19	STOP DISK	X	1	9913023819D
20	SPACER SLEEVE	X	1	9913022689B
21	LOCK RING	X	1	90004103901

3.11 bearings and sleeves



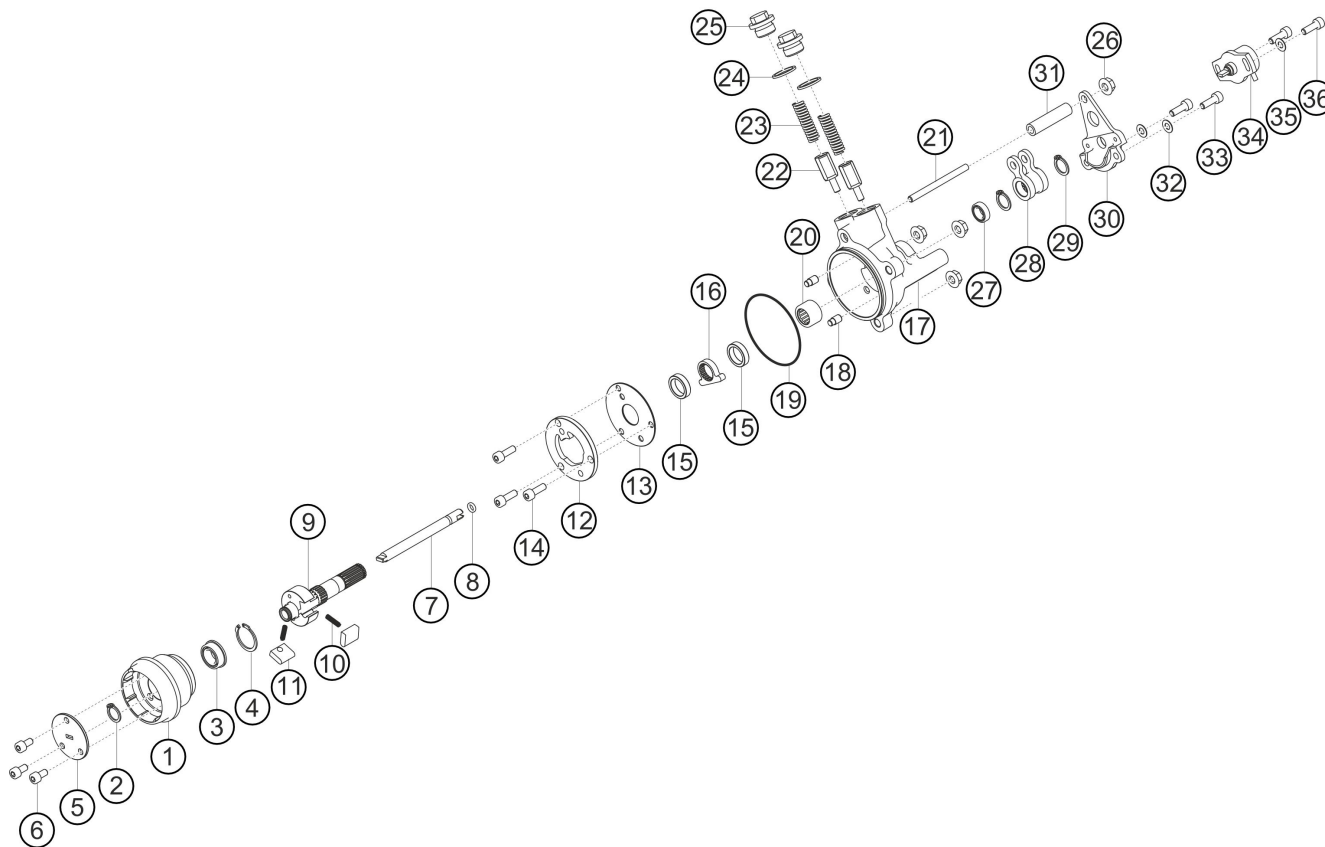
Item no.	Description	M	Pc.	Material
22	HEXAGON SCREW AM 8X75 EN1665 12.9 U120	X	1	90037821201
23	BEARING SPINDLE REVERSE GEAR	X	1	9913022219A
24	NEEDLE BUSH 18X24X16 DIN618 100CR6/ST	X	1	99920104300
25	SNAP RING SB 24X1,20 FED-ST B110	X	1	99915205801

3.12 cross shaft



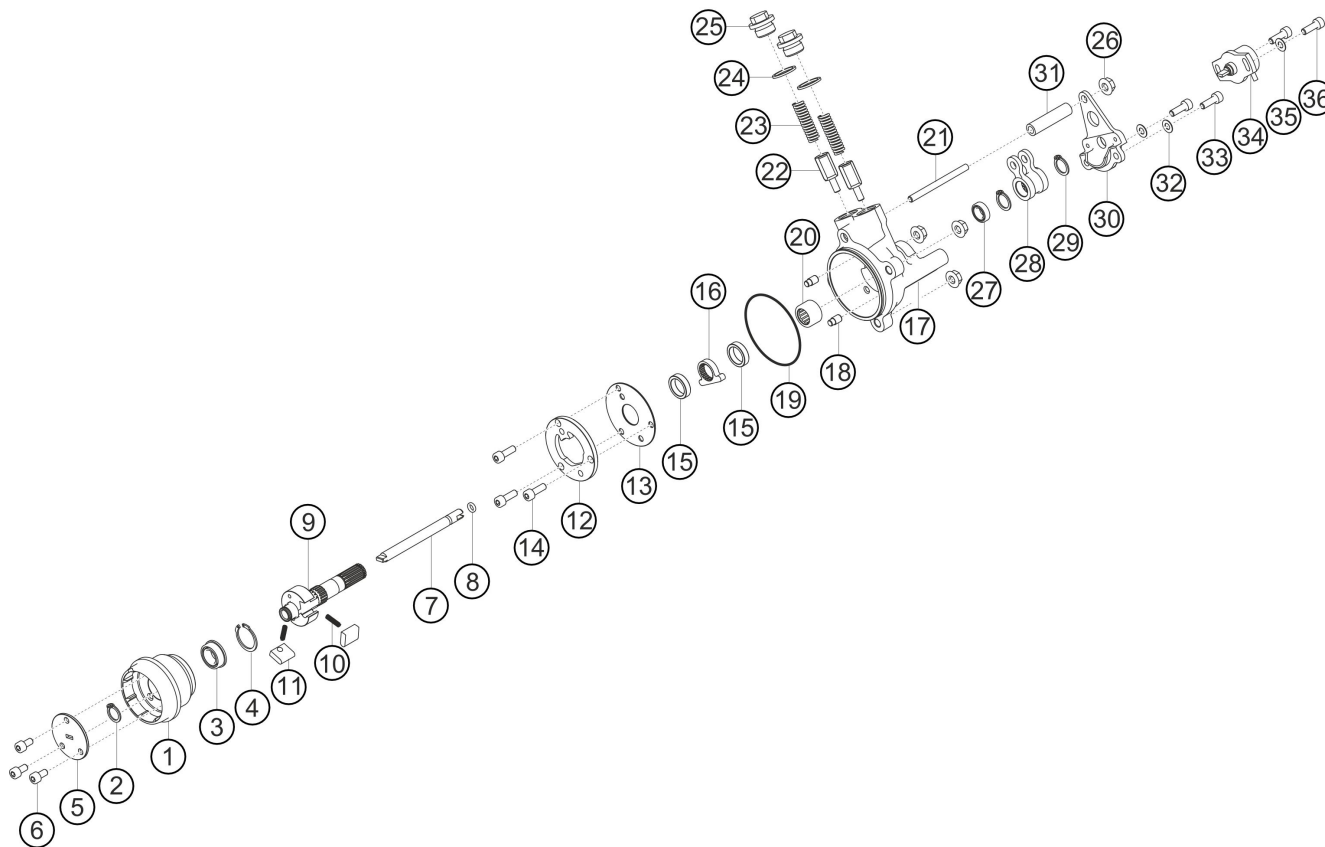
Item no.	Description	M	Pc.	Material
1	CROSS SHAFT	X	1	9913024419B
2	SLEEVE	X	1	9913024329A
3	NUT	X	1	9913027919A
4	LOCKING RING	X	1	9913027939A
5	SNAP RING 36X1,5 FED-ST B110	X	1	99904231301

3.13 shift module



Item no.	Description	M	Pc.	Material
1	SHIFTING ELEMENT	X	1	9913033719B
2	LOCK RING 12x1 DIN471 FED-ST B110		1	90004100501
3	GROOVED BALL BEARING	X	1	9913034279A
4	LOCKING RING	X	1	9913027839A
5	WASHER	X	1	9913033939B
6	PAN-HEAD SCREW M5X10	X	3	90006705109
7	DRIVER	X	1	9913033999C
8	SEALING RING 5,28X1,78N FPM 70	X	1	99970713140
9	COUPLING PART	X	1	9913033779B
10	COMPRESSION SPRING	X	2	9913033789A
11	DRIVING PIN	X	2	9913033879A
12	STOP GUIDE PLATE	X	1	9913033979C
13	STOP DISK	X	1	9913033969A
14	SCREW M5X15 I 4762 12.9 U120 *	X	3	90006743409
15	WASHER	X	2	9913033839A
16	CONTROL LEVER	X	1	9913033859A
17	AS LID	X	1	9913030379A
18	PIN	X	2	9913033479B
19	SEALING RING 58,00X2,0 N* FPM 70	X	1	99970186340
20	NEEDLE BUSH 13X19X12 100CR6/ST *	X	1	99920100300
21	STUD B M 6X55 PN1213 8.8 B110	X	1	99906212101
22	SLIDING SLEEVE	X	2	9913033819C
23	COMPRESSION SPRING	X	2	9973033849A

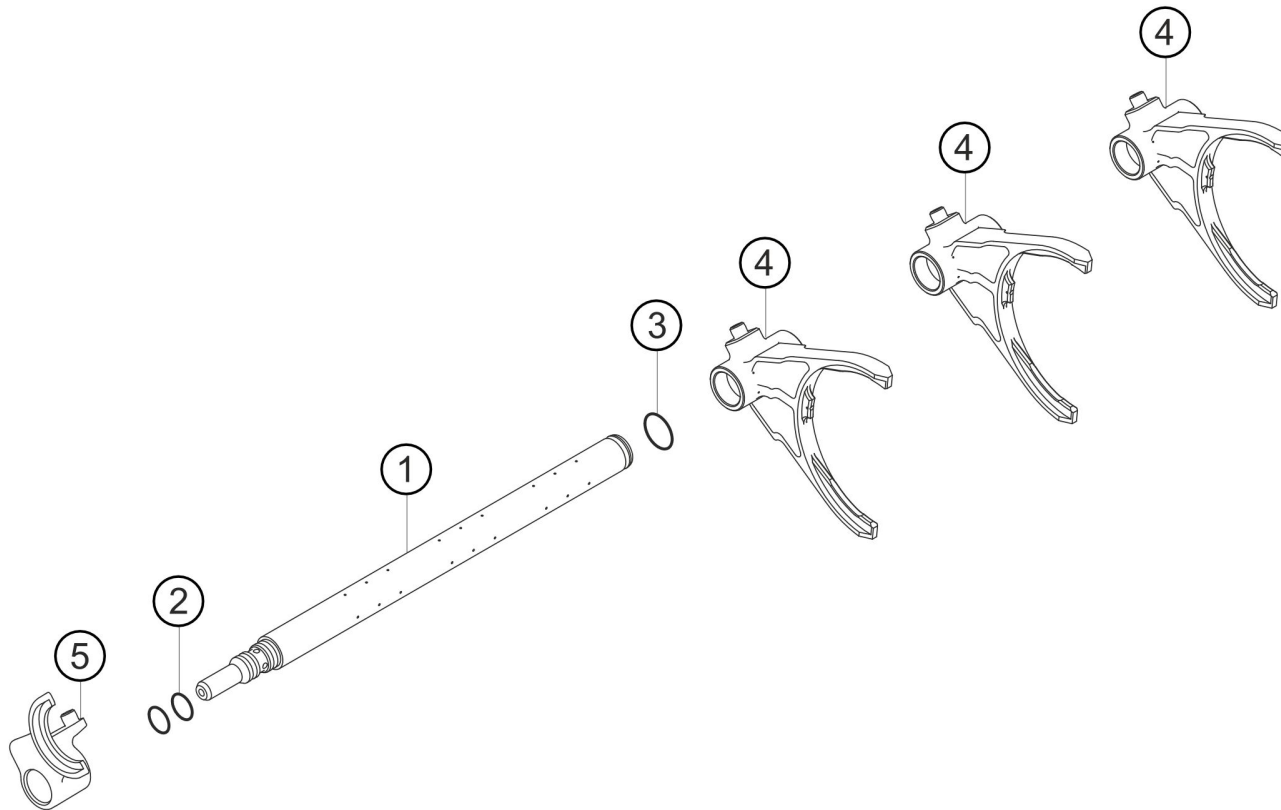
3.13 shift module



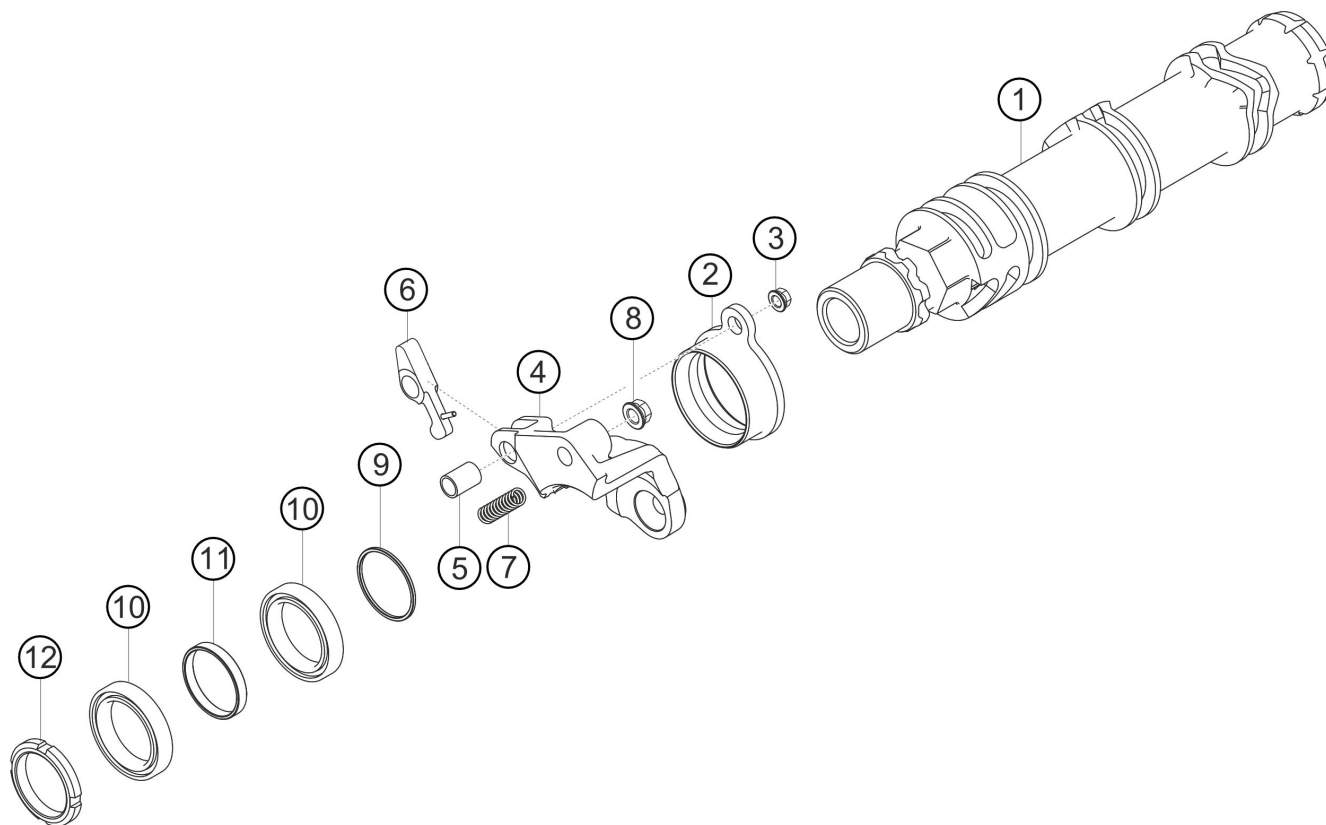
Item no.	Description	M	Pc.	Material
24	SEALING RING A 16x20 D 7603 ALMGS11 F28		2	90012301830
25	SPRING MOUNT	X	2	9913034219B
26	HEX. NUT M6 LN9338 1.7220.3	X	4	90081700102
27	RADIAL SHAFT SEAL		1	99911349240
28	CONTROL LEVER	X	1	9913033619A
29	LOCK RING 13x1 DIN471 FED-ST B110		2	90004102601
30	HOLDER	X	1	9913033749C
31	CONNECTING TUBE	X	1	9913033759A
32	SPRING WASHER	X	2	N 0122251
33	SCREW M5X15 I 4762 12.9 U120 *	X	2	90006743409
34	ANGLE ROTAT.SENSOR TRANSMISSION	X	1	9916060508B
35	SPRING WASHER	X	2	N 0122241
36	SCREW M4X10 I 4762 12.9 U120	X	2	99911901409

3.14 shift rod and forks

Item no.	Description	M	Pc.	Material
1	SHIFT ROD	X	1	9913031519A
2	O-RING		2	99970194840
3	SEALING RING 15,00X2,0 N* FPM 80	X	1	99970176040
4	AS SHIFT FORK	X	3	9913030119B
5	SHIFT FORK	X	1	9913031219B

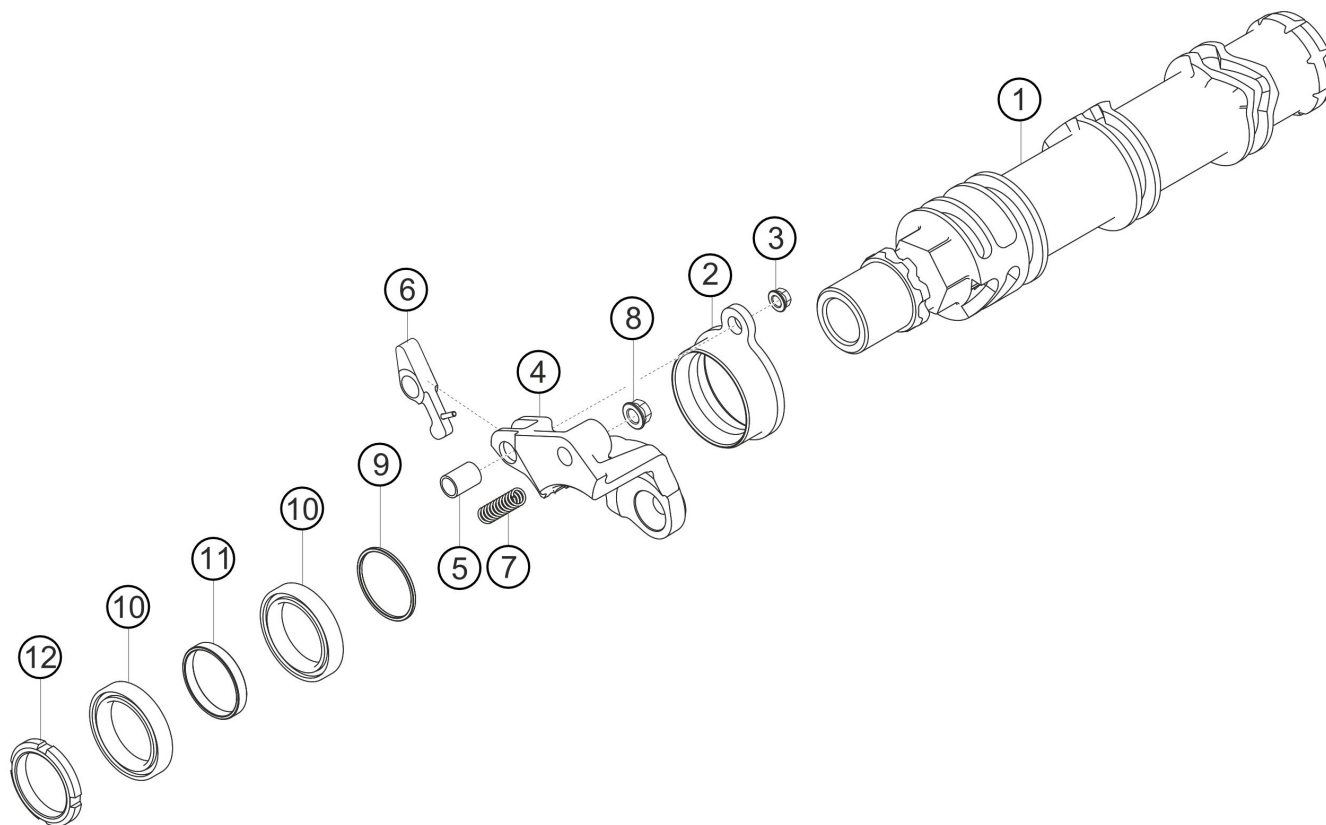


3.15 shift drum



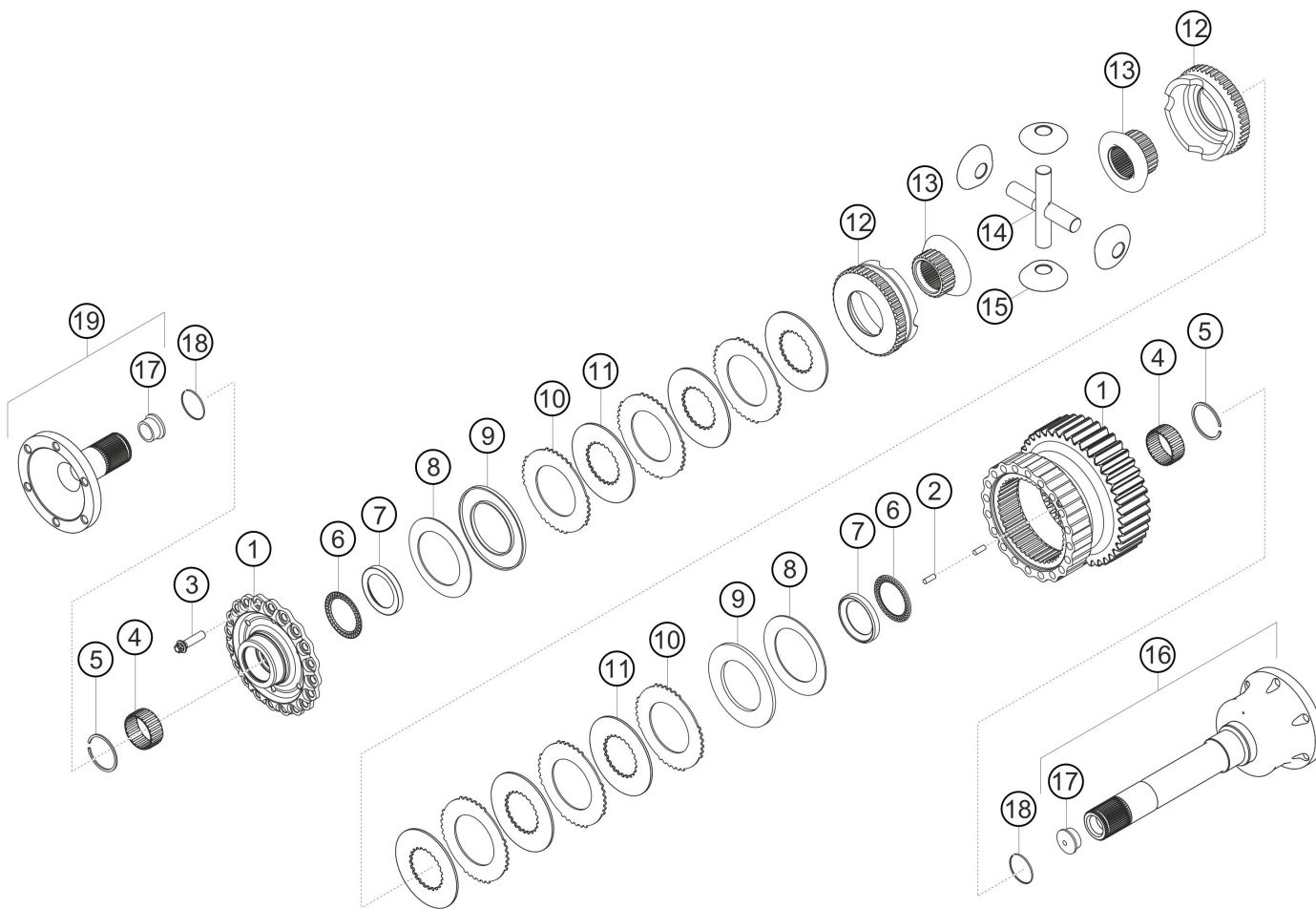
Item no.	Description	M	Pc.	Material
1	SHIFTING DRUM	X	1	9913033919F
2	SLEEVE	X	1	9913033959A
3	HEX. NUT M6 LN9338 1.7220.3	X	2	90081700102
4	ABUTMENT BEARING SPINDLE	X	1	9913034919B
5	SLEEVE	X	1	9913034979B
6	LEVER	X	1	9913034939A
7	COMPRESSION SPRING	X	1	9913034959B
8	HEX. NUT M8 LN9338 1.7220.3		1	90081700202
9	ADJUSTING DISK FOR CONTROLLER CYLINDER 2,00	X	1	99130329721
9	ADJUSTING DISK FOR CONTROLLER CYLINDER 1,95	X	1	99130329720
9	ADJUSTING DISK FOR CONTROLLER CYLINDER 1,90	X	1	99130329719
9	ADJUSTING DISK FOR CONTROLLER CYLINDER 1,85	X	1	99130329718
9	ADJUSTING DISK FOR CONTROLLER CYLINDER 1,80	X	1	99130329717
9	ADJUSTING DISK FOR CONTROLLER CYLINDER 1,75	X	1	99130329716
9	ADJUSTING DISK FOR CONTROLLER CYLINDER 1,70	X	1	99130329715
9	ADJUSTING DISK FOR CONTROLLER CYLINDER 1,65	X	1	99130329714
9	ADJUSTING DISK FOR CONTROLLER CYLINDER 1,60	X	1	99130329713
9	ADJUSTING DISK FOR CONTROLLER CYLINDER 1,55	X	1	99130329712
9	ADJUSTING DISK FOR CONTROLLER CYLINDER 1,50	X	1	99130329711
9	ADJUSTING DISK FOR CONTROLLER CYLINDER 1,45	X	1	99130329710
9	ADJUSTING DISK FOR CONTROLLER CYLINDER 1,40	X	1	99130329709
9	ADJUSTING DISK FOR CONTROLLER CYLINDER 1,35	X	1	99130329708
9	ADJUSTING DISK FOR CONTROLLER CYLINDER 1,30	X	1	99130329707

3.15 shift drum



Item no.	Description	M	Pc.	Material
9	ADJUSTING DISK FOR CONTROLLER CYLINDER 1,25	X	1	99130329706
9	ADJUSTING DISK FOR CONTROLLER CYLINDER 1,20	X	1	99130329705
9	ADJUSTING DISK FOR CONTROLLER CYLINDER 1,15	X	1	99130329704
9	ADJUSTING DISK FOR CONTROLLER CYLINDER 1,10	X	1	99130329703
9	ADJUSTING DISK FOR CONTROLLER CYLINDER 1,05	X	1	99130329702
9	ADJUSTING DISK FOR CONTROLLER CYLINDER 1,00	X	1	99130329701
10	GROOVED BALL BEARING 30X42X7 DIN625 100CR6/ST	X	2	90005220300
11	SPACING WASHER GEARSHIFT SHAFT	X	1	9913033639B
12	NUT	X	1	9913032999A

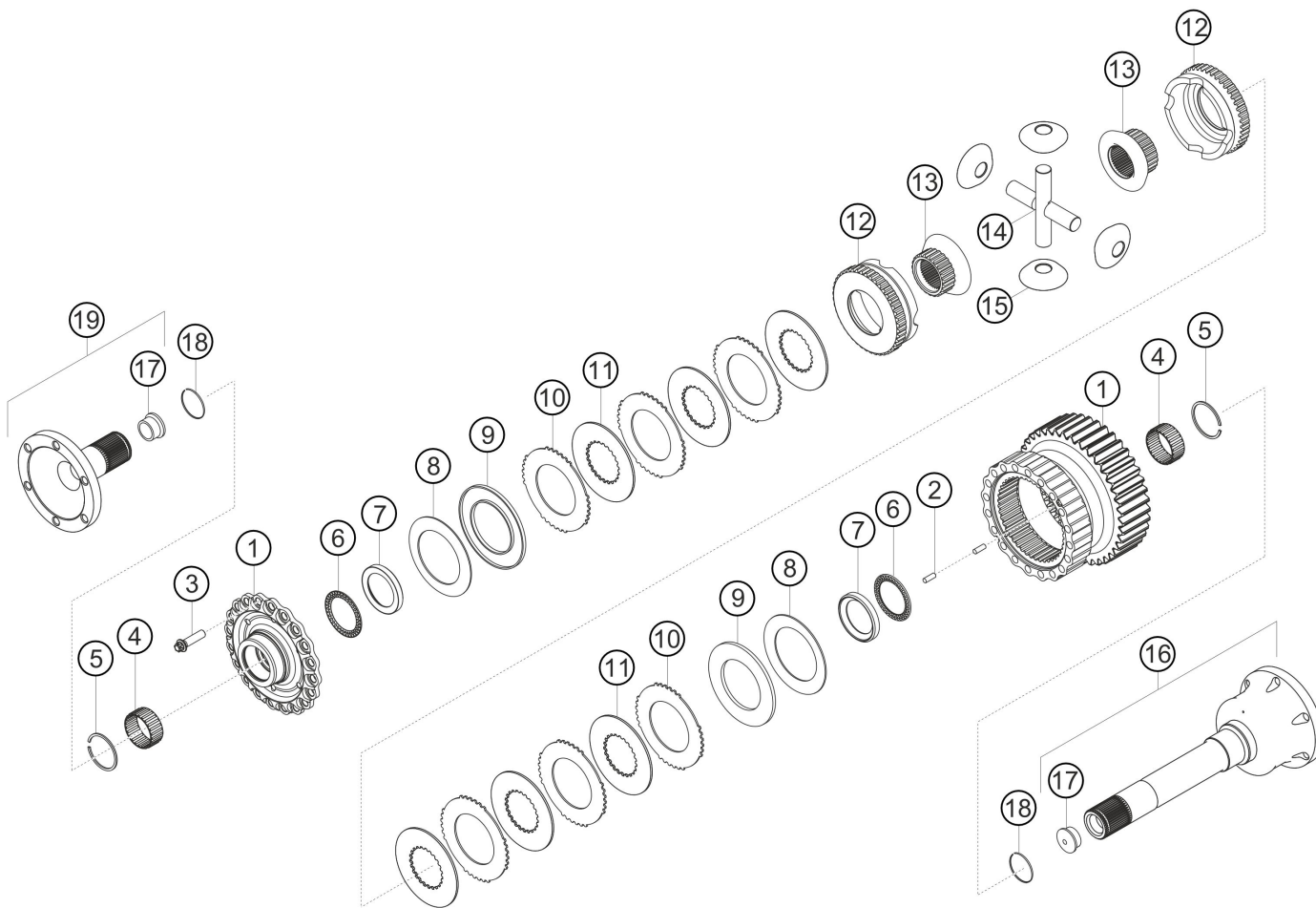
3.16 limited slip differential



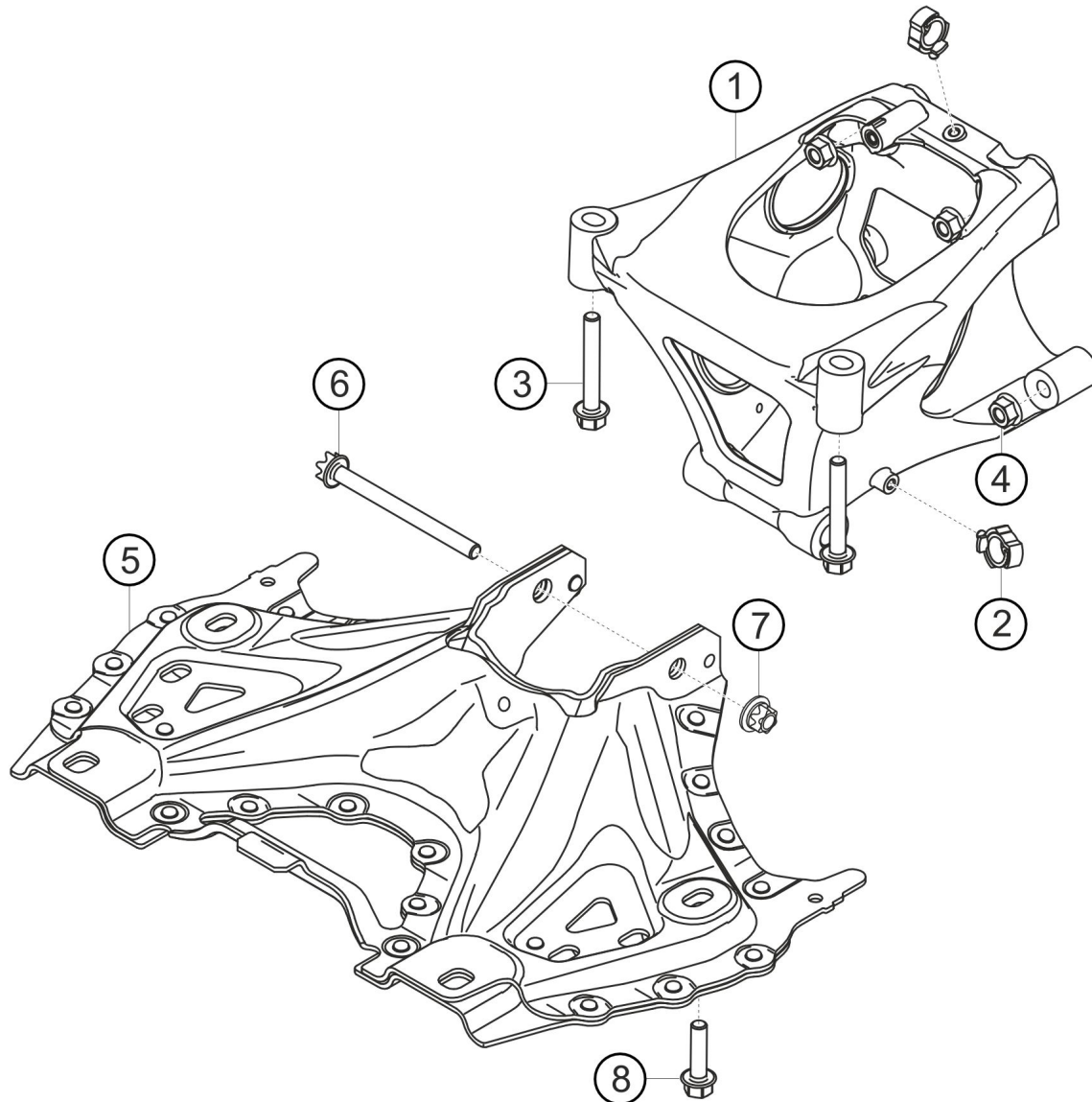
Item no.	Description	M	Pc.	Material
1	AS HOUSING	X	1	9913320899C
2	CYLINDRICAL PIN	X	2	90030201501
3	HEXALOBULAR SCREW M8X1	X	20	9913328289B
4	NEEDLE BUSH 35X40X17 D 5405 100CR6/ST	X	2	99920112800
5	SNAP RING	X	2	9913329979A
6	AXIAL NEEDLE BEARING	X	2	9913329719A
7	RING	X	2	9913329739C
8	DISC SPRING	X	2	9913329759B
9	THRUST RING	X	2	9913329779A
10	pressure plate 1,5mm	X	1	9913329838C
10	pressure plate 1,55mm	X	1	9913329838D
10	pressure plate 1,6mm	X	1	9913329838A
10	pressure plate 1,65mm	X	1	9913329838E
10	pressure plate 1,7mm	X	1	9913329838F
10	pressure plate 1,75mm	X	1	9913329838H
10	pressure plate 1,8mm	X	1	9913329838J
10	pressure plate 1,85mm	X	1	9913329838B
10	pressure plate 1,9mm	X	1	9913329838K
10	pressure plate 1,95mm	X	1	9913329838M
11	clutch disk 1,4mm	X	6	9913329818B
12	Set Thrust piece	X	1	9913329879B
13	BEVEL GEAR	X	2	9913329919C
14	CROSS PIN	X	2	9913329959A

3.16 limited slip differential

Item no.	Description	M	Pc.	Material
15	BEVEL PINION	X	4	9913329939B
16	AS JOINT FLANGE	X	1	9913320209C
17	SEALING PLUG	X	2	9913322159B
18	SNAP RING A 32 D 7993 DRAHT-B B110	X	2	90090603101
19	AS JOINT FLANGE	X	1	9913320219C



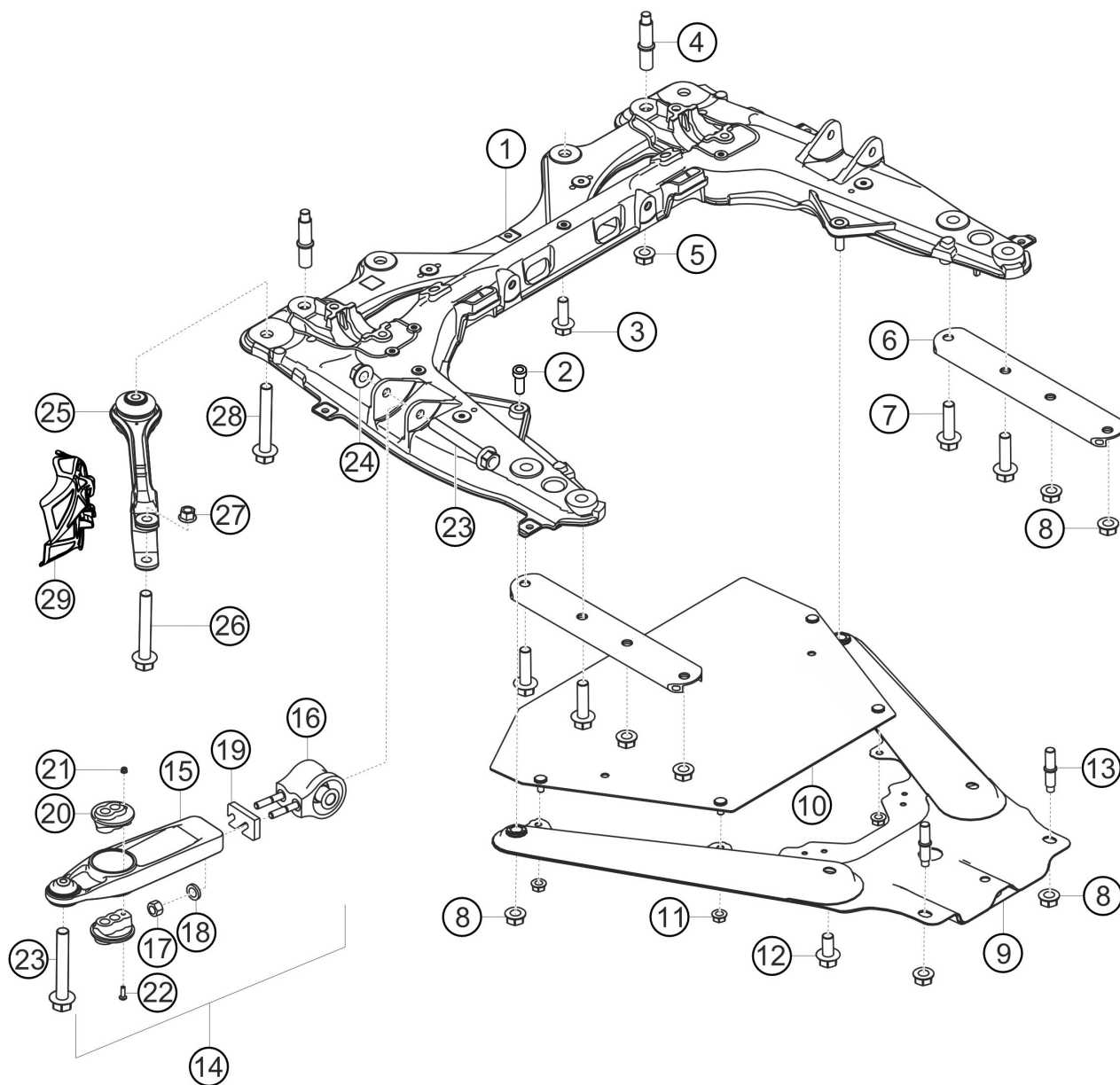
3.17 gearbox bracket



Item no.	Description	M	Pc.	Material
1	TRANSMISSION BRACKET	X	1	9913751379B
2	CABLE HOLDER		2	99950707540
3	OUTER HEXAGON ROUND SCREW		2	90037833201
4	HEXAGON NUT M10 D 6923 10 26B1		4	90037701101
5	AS LONGITUD.SUPPORT		1	99137511403
6	OUTER HEXAGON ROUND SCREW		1	90038516401
7	NUT		1	99908600902
8	COMBINATION SCREW		4	99907284101

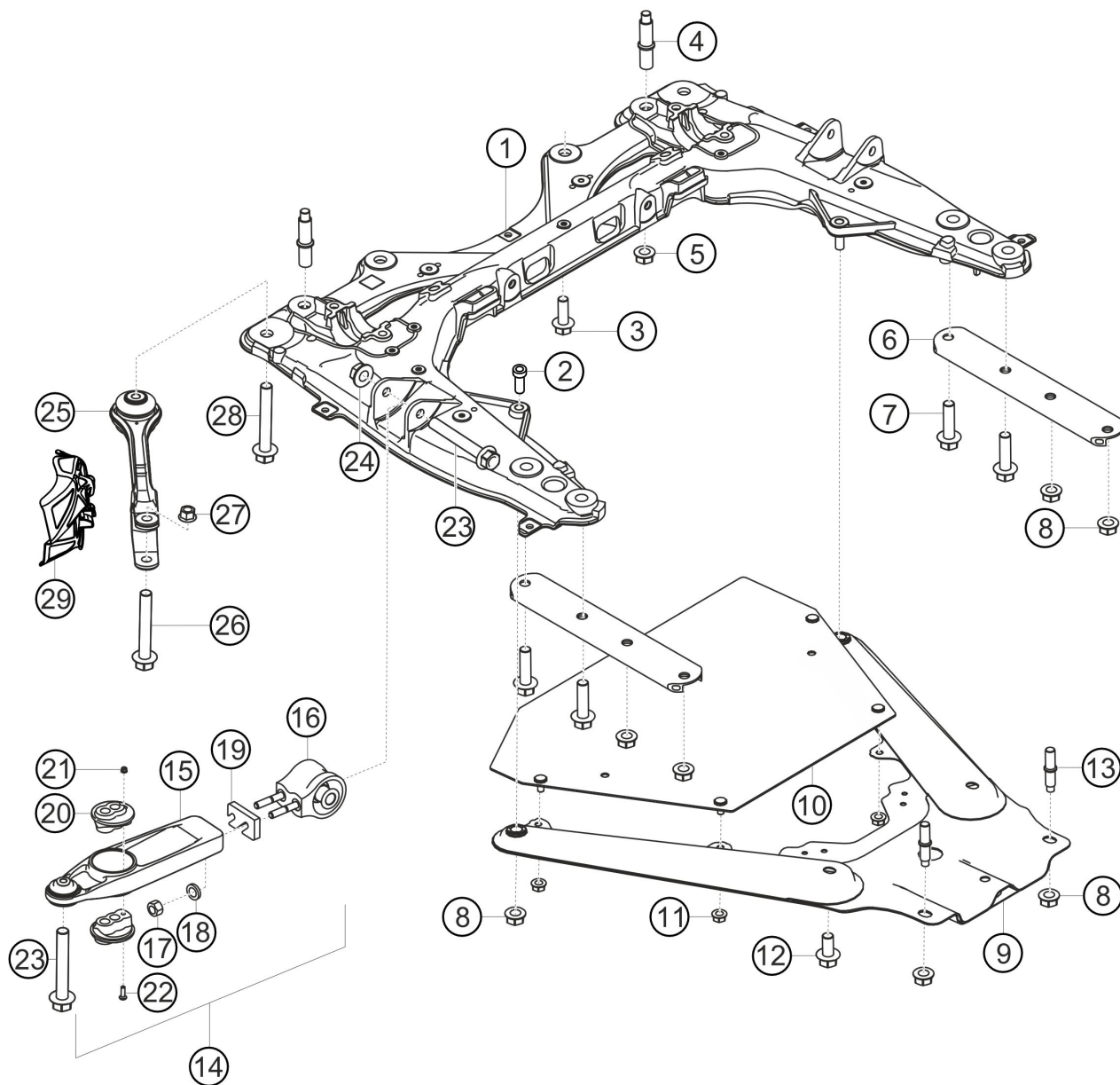
4 front axle

4.1 front axle



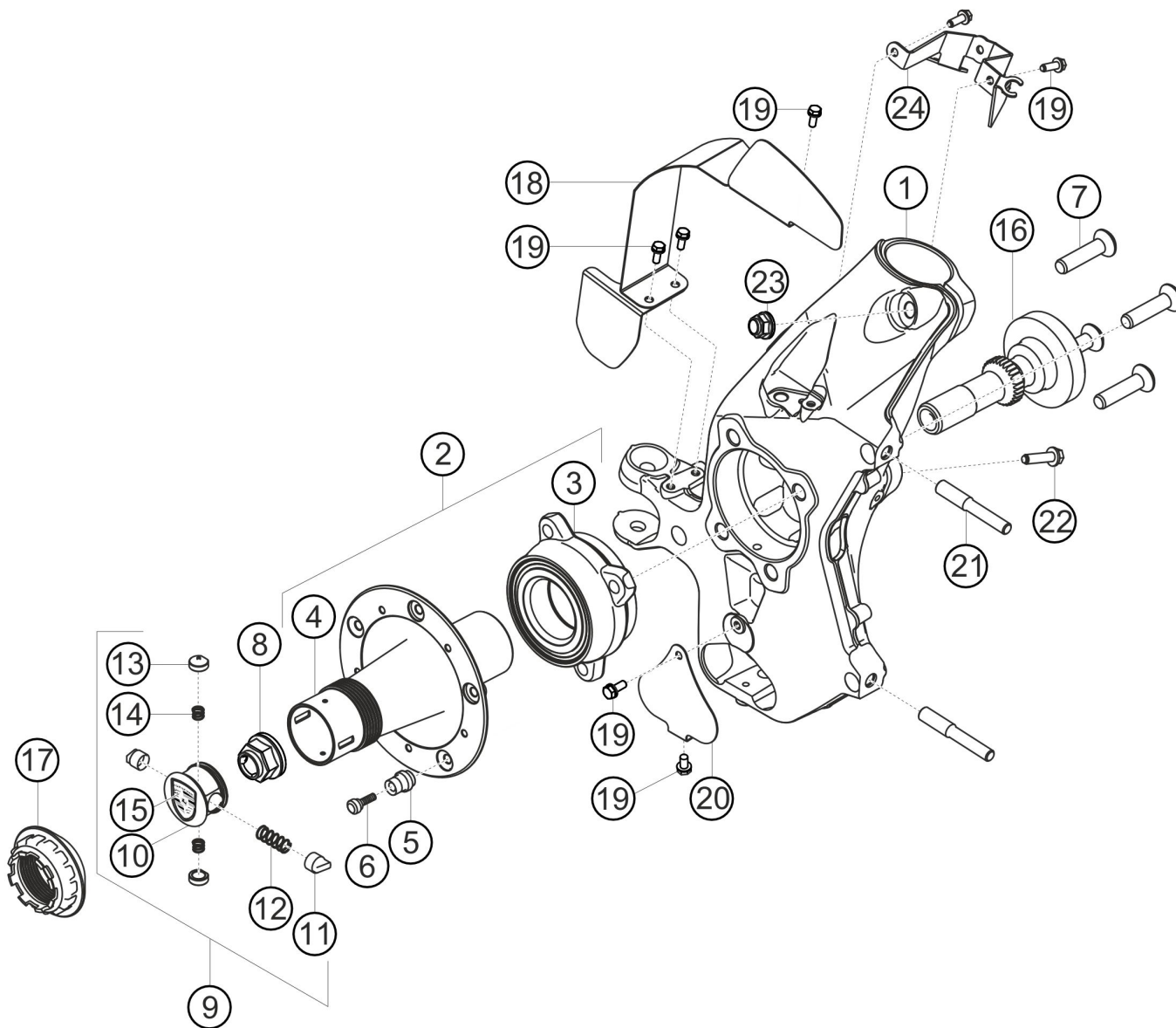
Item no.	Description	M	Pc.	Material
1	AS CROSSRAIL FA	X	1	9913410818C
2	SREW M10X38,5	X	2	99908007501
3	HEXAGON-HEAD BOLT AM12X1,5X50 10.9 ZL 26B1 *		2	99907286301
4	STUD		2	99906112501
5	HEXAGON NUT		2	N 90916701
6	STRUT FRONT AXLE		2	99150474100
7	COMBINATION SCREW		4	N 91148901
8	HEXAGON NUT		8	99908464801
9	AS AUXILIARY FRAME FRONT END	X	1	9915042338B
10	RUNUNDER PROTECTION TANK	X	1	9915049278A
11	HEXAGON NUT		4	99907607102
12	90037835001	X	2	90037835001
13	99906112101	X	2	99906112101
14	AS WISHBONE	X	1	9913410418E
15	WISHBONE	X	1	9913413418C
16	AS FIXED BEARING WISHBONE	X	1	9913414418C
17	HEXAGON NUT		2	90007606402
18	WASHER		2	99902526901
19	ADJUSTING DISK FRONT T=10,0 MM	X	1	99634154395
19	ADJUSTING DISK FRONT T=7,0 MM		1	99634154393
19	ADJUSTING DISK FRONT T=2,0 MM		1	99634154391
19	ADJUSTING DISK FRONT T=1,0 MM		1	99634154390
19	ADJUSTING DISK FRONT T=0,8 MM	X	1	99634154398

4.1 front axle



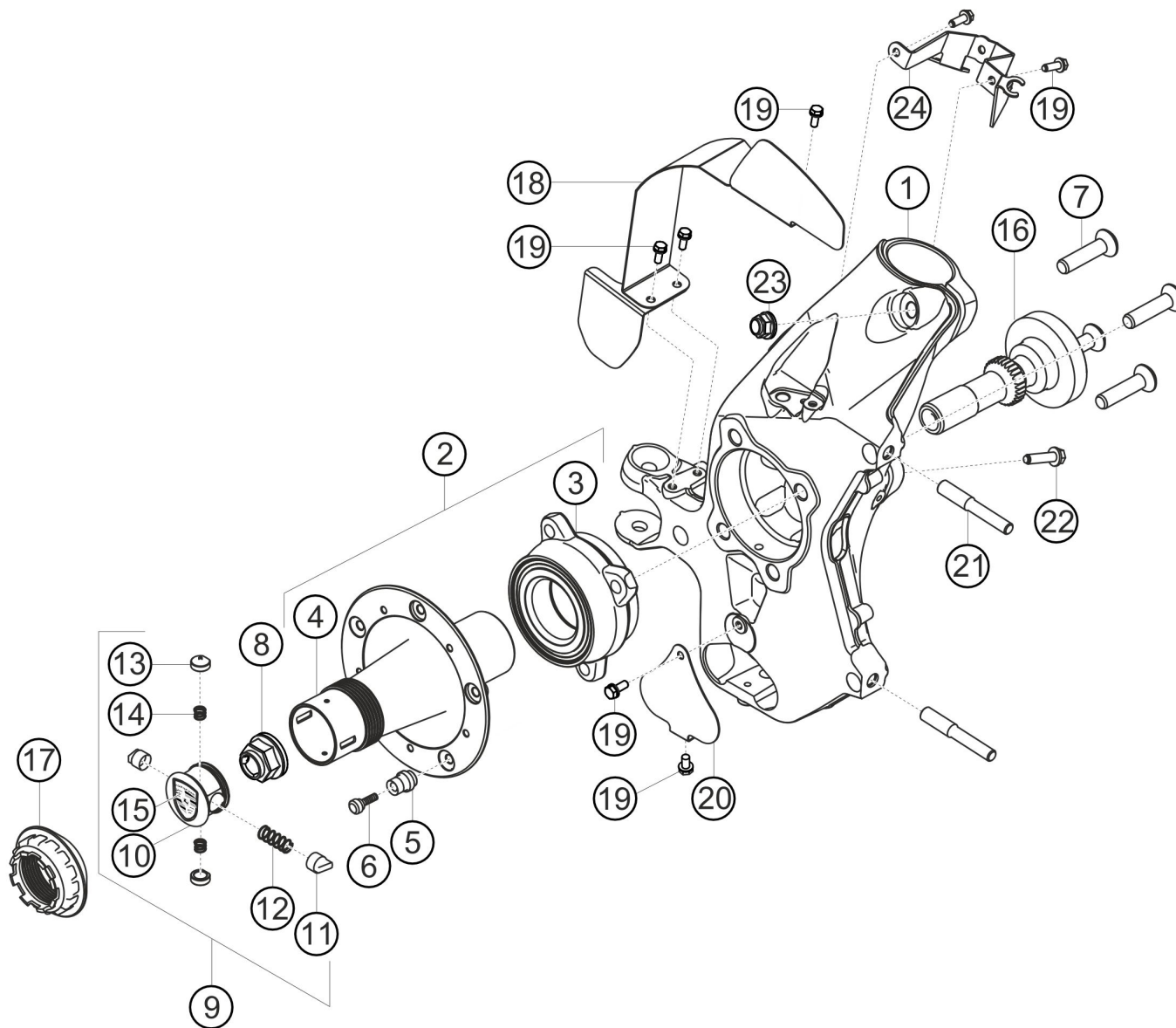
Item no.	Description	M	Pc.	Material
19	ADJUSTING DISK FRONT T=0,6 MM	X	1	99634154397
19	ADJUSTING DISK FRONT T=0,3 MM	X	1	99634154396
20	STRUT MOUNT FA	X	2	9913412448A
21	HEX. NUT M5 LN9338 1.7220.3	X	1	90081700502
22	PAN-HEAD SCREW M5x16 7380 A2-70	X	1	90062300100
23	HEXAGON-HEAD BOLT M12X1,5X90 10.9 26B1		2	99907285201
24	LOCK NUT		1	99908444501
25	AS TRAILING ARM FA		1	99134104302
26	HEXAGON-HEAD BOLT AM14X1,5X95 10.9 26B1 *		1	99907289201
27	HEXAGON NUT		1	90038001201
28	HEXAGON-HEAD BOLT AM12X1,5X105 10.9 PA 26B1 *		2	99907286401
29	LINK SPOILER FA,RH	X	1	9913414848A
29	LINK SPOILER FA,LH	X	1	9913414838A

4.2 upright front



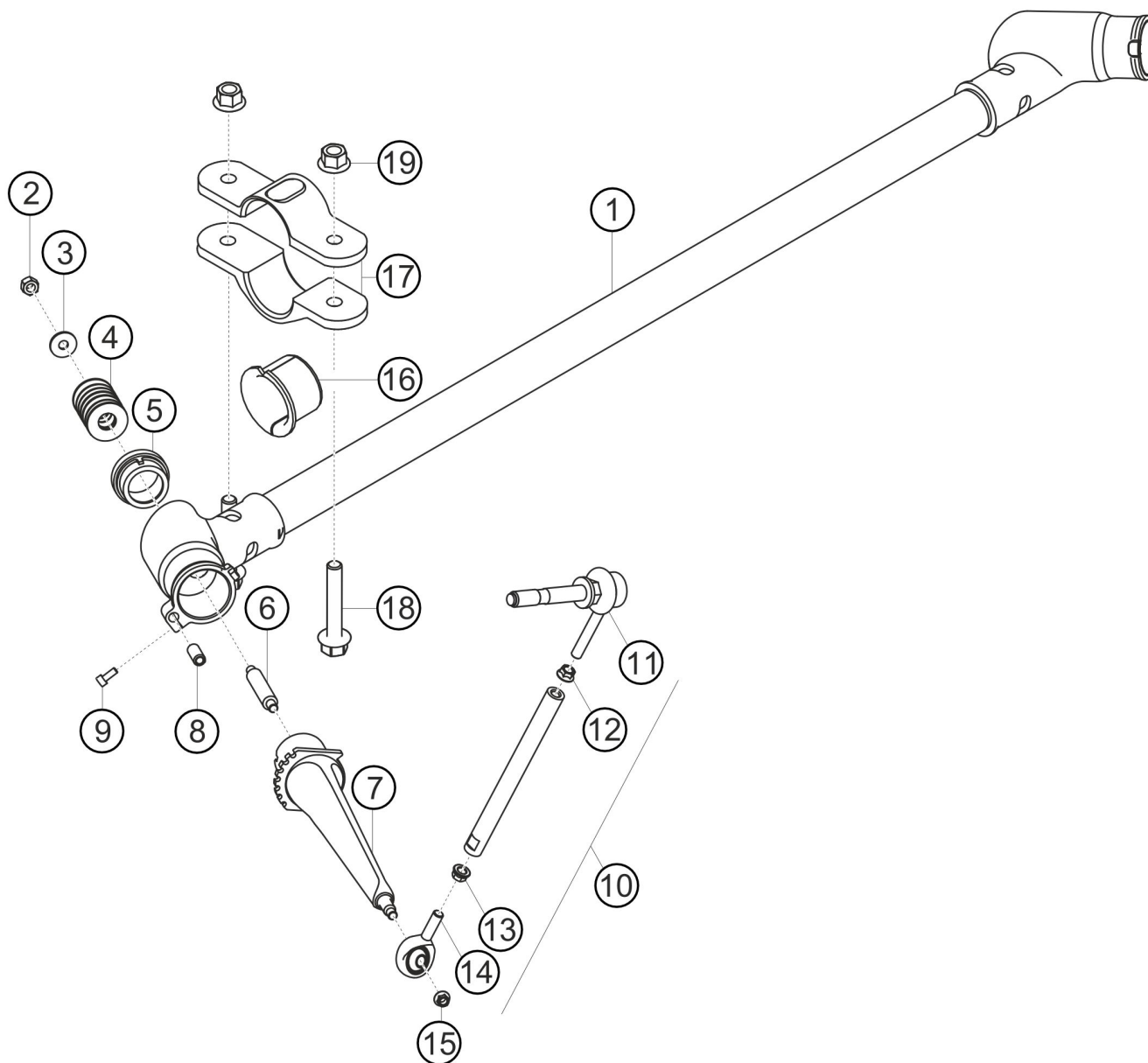
Item no.	Description	M	Pc.	Material
1	WHEEL CARRIER FA,LH	X	1	9913416578A
1	WHEEL CARRIER FA,RH	X	1	9913416588A
2	AS WHEEL HUB SERVICE	X	1	9913319678D
2	AS WHEEL HUB SERVICE	X	1	9913319688D
3	ANGULAR BALL BEARING	X	1	7P0501287
4	WHEEL HUB CENTER LOCK LEFT	X	1	9913316078C
4	WHEEL HUB CENTER LOCK RIGHT	X	1	9913316088C
5	DRIVING PIN CENTER LOCK	X	5	9913417058A
6	SCREW M8x32 10.9		5	99907354801
7	MULTIPLE-TOOTH SCREW		4	WHT004835
8	LOCK NUT		1	99908464101
9	SET CENTER LOCK	X	1	9973319519A
10	PLUG LOCKING PIN		1	98034173901
11	LOCKING PIN	X	2	9973417379A
12	COIL SPRING		1	98034174100
13	LOCKING PIN	X	2	99734162590
14	SPRING LOCKING PIN	X	2	99734162790
15	WHEEL TRIM CAP		1	98036130300
16	CLAMPING BOLT FA		1	99134113180
17	NUT CENTER LOCK LEFT	X	1	9973313079A
17	NUT CENTER LOCK RIGHT	X	1	9973313089A
18	AS COVER PANEL FA RIGHT		1	99135160481
18	AS COVER PANEL FA LEFT		1	99135160381

4.2 upright front



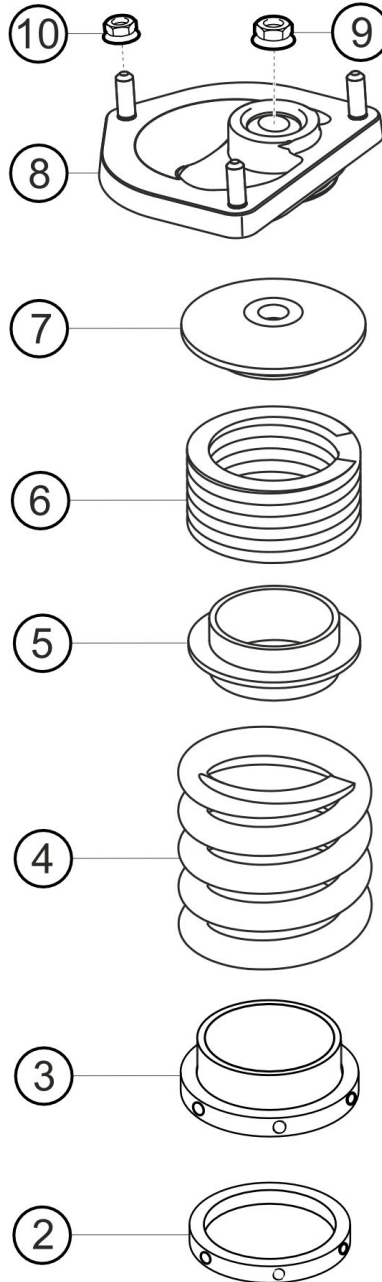
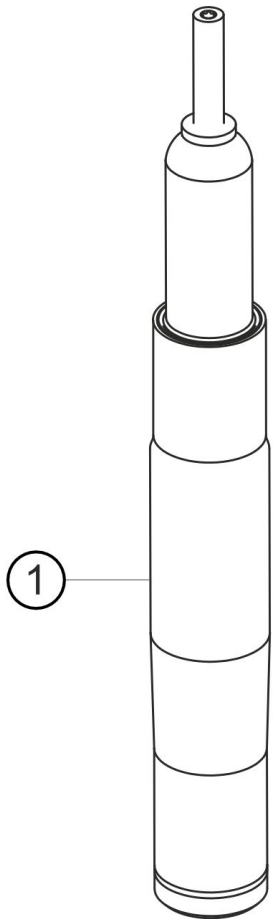
Item no.	Description	M	Pc.	Material
19	HEXAGON-HEAD BOLT M6X16 I10644 8.8-S1-N-MK*		7	99921711601
20	COVER PANEL FA	X	1	99135180180
21	STUD BOLT M10X1,50 10.9	X	2	99906100302
22	HEXAGON-HEAD BOLT AM 8X35 EN1665 8.8 26B1 *		1	90037810801
23	LOCK NUT		1	99908444501
24	HOLDER BRAKE HOSE RIGHT	X	1	9913555028A
24	HOLDER BRAKE HOSE LEFT	X	1	9913555018A

4.3 anti-roll bar front



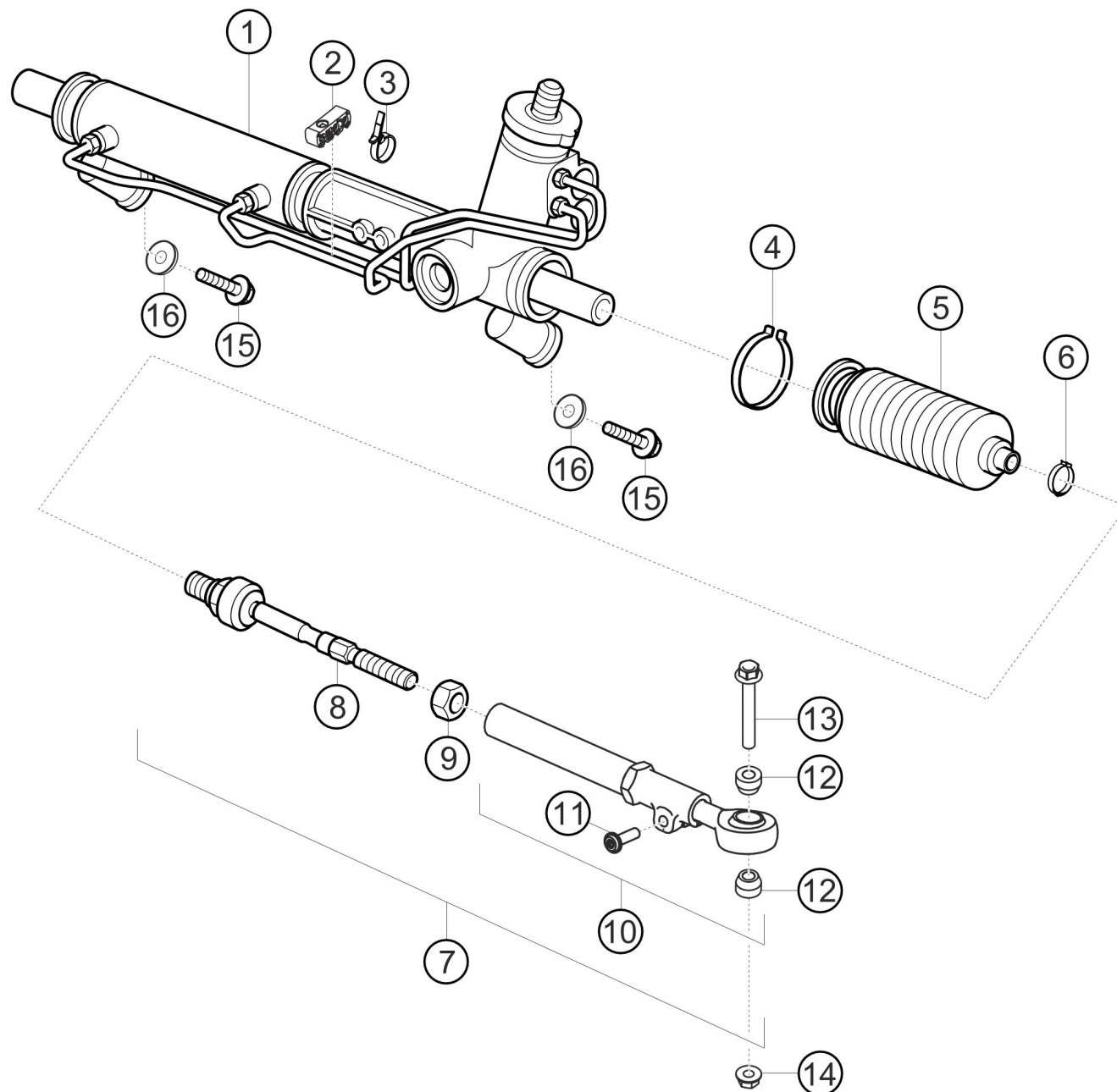
Item no.	Description	M	Pc.	Material
1	AS STABILIZER	X	1	9913431738A
2	LOCKING NUT		2	90091004709
3	WASHER		2	90015100603
4	DISK SPRING C 28 D 2093 51CRV4 B110	X	22	90022202501
5	LID STABILIZER	X	2	9913437238A
6	THREADED BOLT STABILIZER	X	2	9913437338A
7	BENDING LEVER	X	2	9913437258A
8	STUD BOLT M8X18	X	2	99924200701
9	CYLINDER SCREW M4x10 4762 8.8 C350		2	90006708002
10	STABILIZER LINK	X	1	9913430698C
11	STABILIZER LINK	X	1	9913431708B
12	HEX. NUT M8x1,25 KLLN9338 LH 1.7220.3 RIGHT	X	1	90081701801
13	HEX. NUT M8x1,25 KLLN9338 1.7220.3 LEFT	X	1	90081701901
14	SWIVEL HEAD	X	1	9913437228A
15	HEX. NUT M6 LN9338 1.7220.3	X	2	90081700102
16	STABILIZER SUSPEN.	X	2	9973337929B
17	CLAMP STABILIZER	X	2	9913437778C
18	HEXAGON-HEAD BOLT AM10X60 10.9 26B1 *		4	99907283601
19	HEXAGON NUT		4	90038000801

4.4 suspension strut front



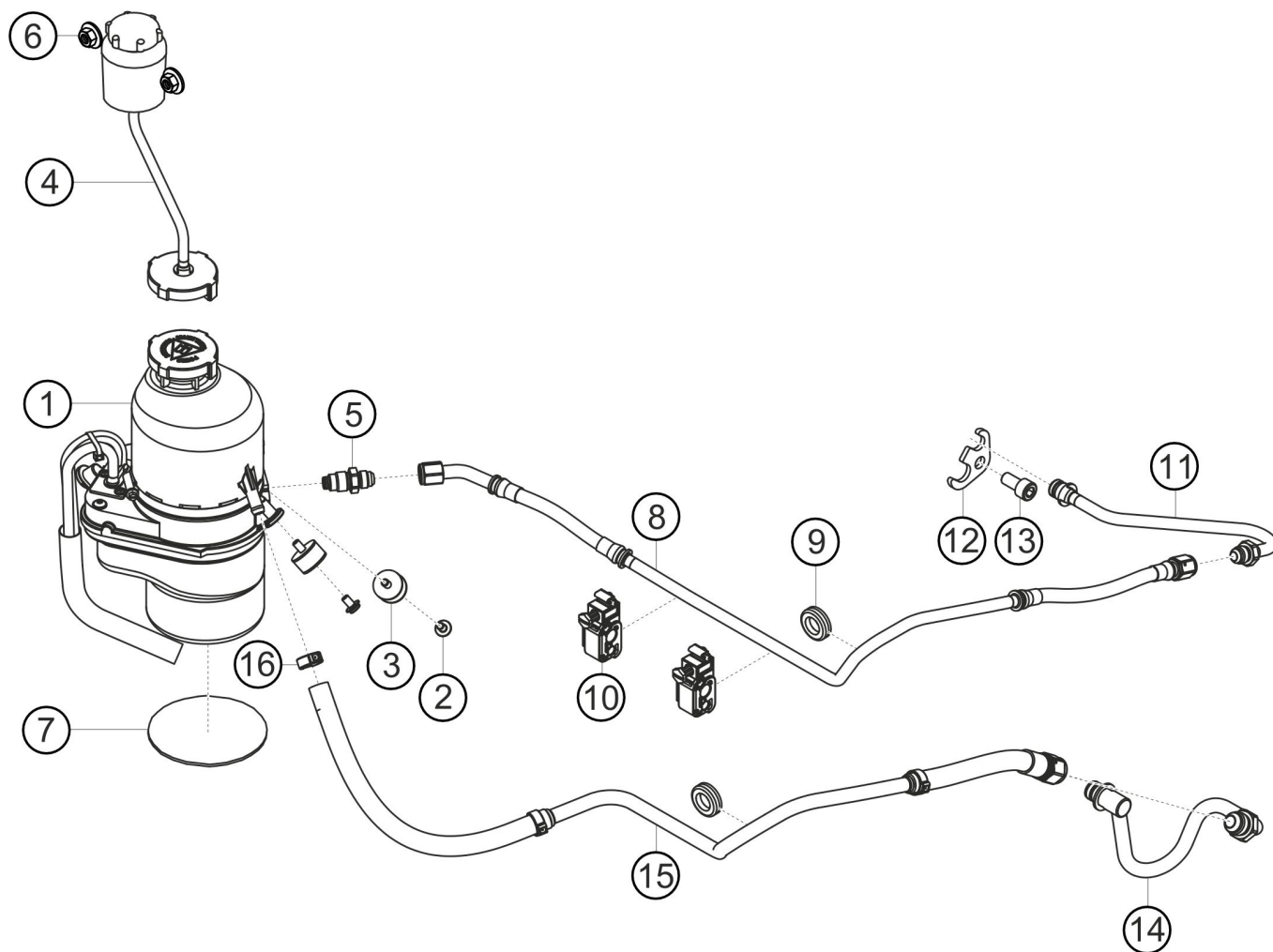
Item no.	Description	M	Pc.	Material
1	AS VIBRATION DAMPER FA	X	1	9913430458D
2	COUNTERNUT	X	1	99634354790
3	NUT SPRING REST	X	1	99634354990
4	COIL SPRING FA	X	1	9913435318C
5	INTERMEDIATE RING	X	1	9913435458A
6	SPRING 75-60-43	X	1	99634353790
7	SPRING REST	X	1	9913435118B
8	AS SUPPORT BEARING LEFT	X	1	9913430158A
8	AS SUPPORT BEARING FA,RH	X	1	9913430168A
9	HEXAGON NUT		1	99908412801
10	HEXAGON NUT		3	99908444701

4.5 steering gear



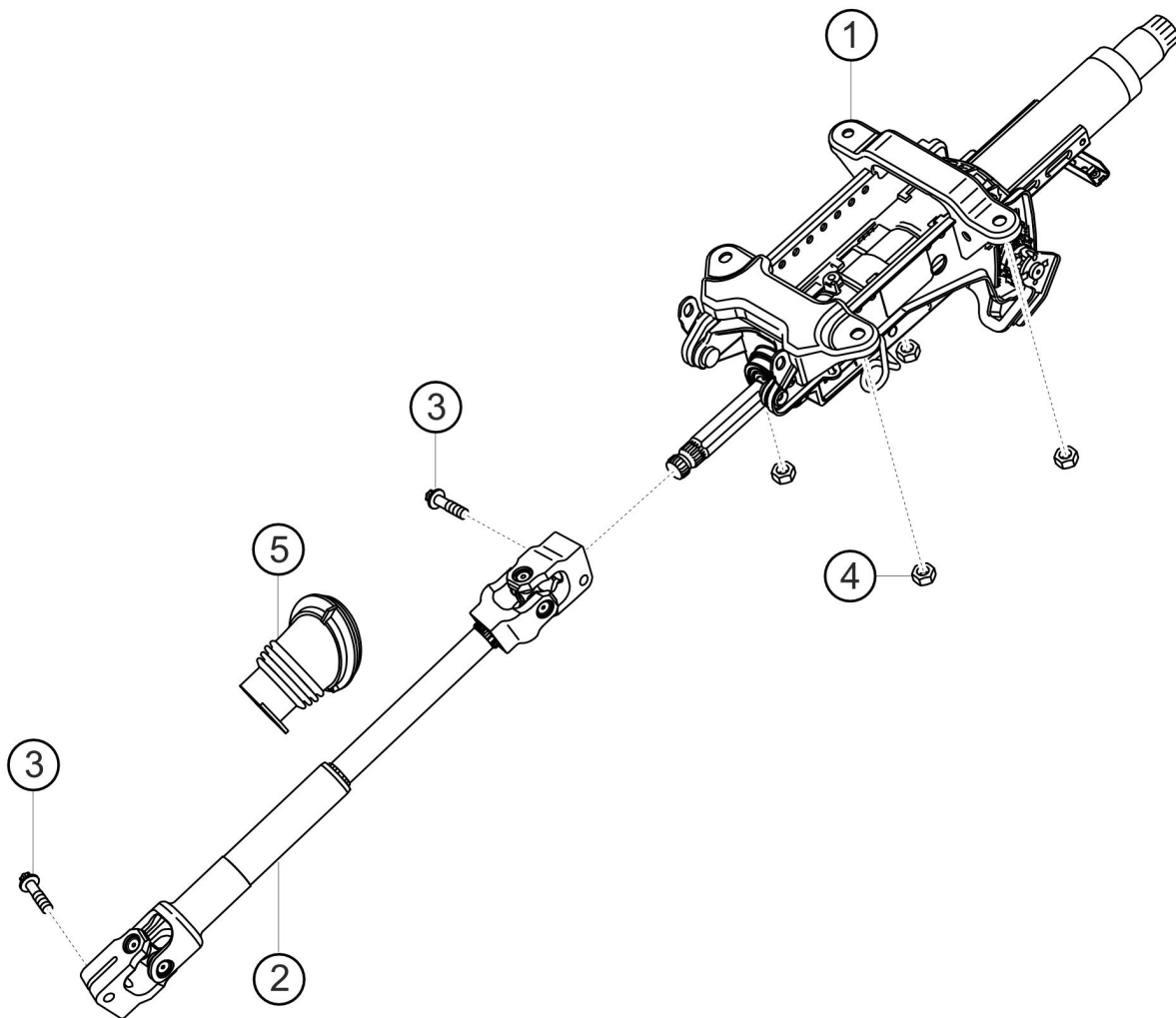
Item no.	Description	M	Pc.	Material
1	AS STEERING GEAR CPL.	X	1	9913470058D
2	BRACKET		1	8K0611797E
3	CABLE STRAP		2	N 0209044
4	CLAMPING RING		2	99634729305
5	BELLOWS STEERING TIE ROD		2	99734719100
6	CLAMP RING		2	99951269309
7	AS STEERING TIE ROD SERVICE	X	2	9913479318C
8	AS BALL JOINT		1	99734732201
9	HEXAGON NUT		1	99903403709
10	AS STEERING TIE ROD	X	1	9913410318C
11	HEXAGON-HEAD BOLT		1	90037810301
11	SCREW FILL. HD.		1	99907325209
12	SPACER SLEEVE STEERING TIE ROD	X	1	9913415578E
13	HEXAGON-HEAD BOLT M12X1,5X90 10.9 26B1		1	99907285201
14	LOCK NUT		1	99908444501
15	HEX. SCREW AM10x65 EN1665 10.9 26B1		2	90037826101
16	SPACING WASHER	X	2	9913416138A

4.6 servo pump



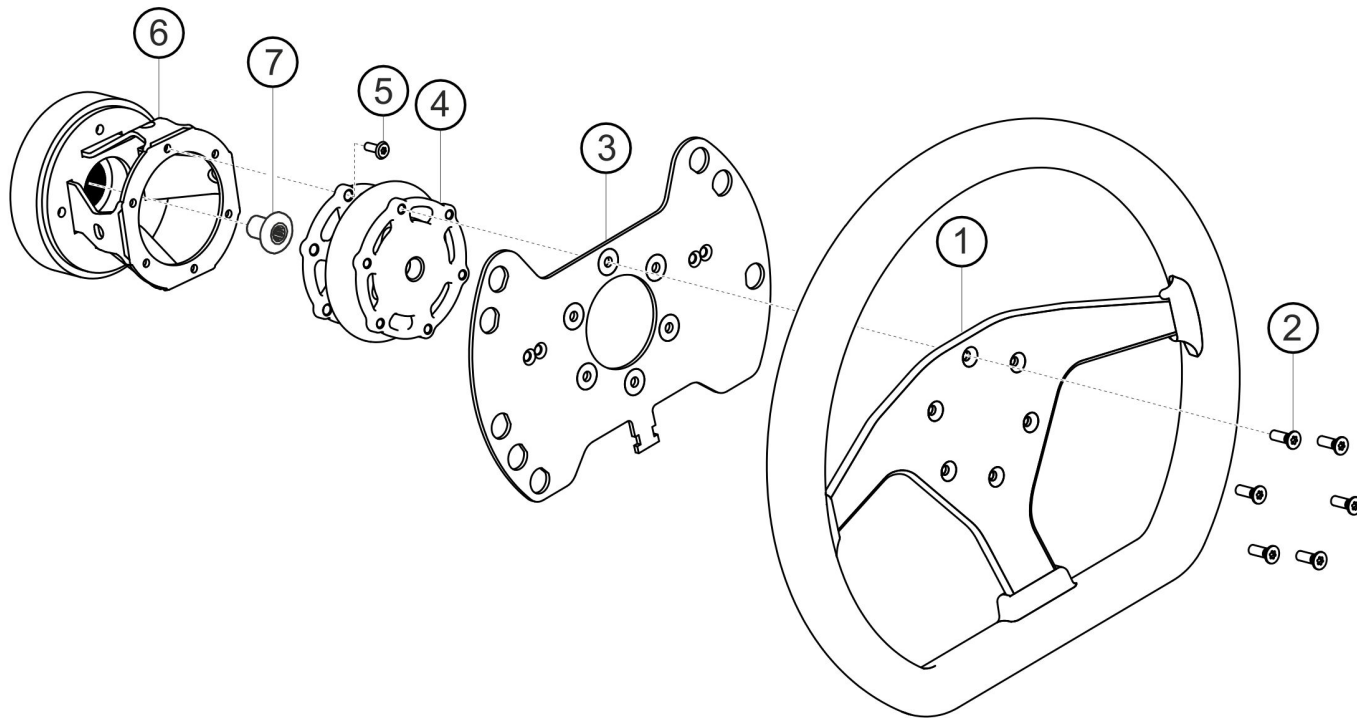
Item no.	Description	M	Pc.	Material
1	SERVO PUMP CPL.	X	1	9913140158B
2	SCREW FILL. HD.		2	99907325909
3	DAEMPF-EL 25X15/M 6*	X	2	99970326901
4	AS LID EQUALIZING TANK	X	1	9913140908A
5	AS LINE PRESSURE PIPE	X	1	9973471579B
6	PLASTIC NUT		2	99904903340
7	DAMPING RUBBER	X	1	9963147599B
8	AS PRESSURE LINE PUMP	X	1	9913471498B
9	GROMMET	X	2	99734758790
10	CABLE HOLDER 4,75/ 8,0* PA666 SW		2	99634754300
11	AS PRESSURE LINE STEERING GEAR	X	1	9913471458B
12	TENSION SHACKLE		1	99634776901
13	PAN-HEAD SCREW		1	90006706303
14	AS RETURN LINE STEERING GEAR	X	1	9913471558B
15	AS RETURN LINE PUMP	X	1	9913471598B
16	CLIP 15,6 - 17,8		1	99951263300

4.7 steering shaft



Item no.	Description	M	Pc.	Material
1	MANUAL CONTROL MCSC		1	99134701524
2	AS INTERMED.SHAFT	X	1	9913470238C
3	TORX SCREW		2	WHT004955A
4	HEXAGON NUT M8		4	99908463001
5	AS BELLOWS		1	99134703702

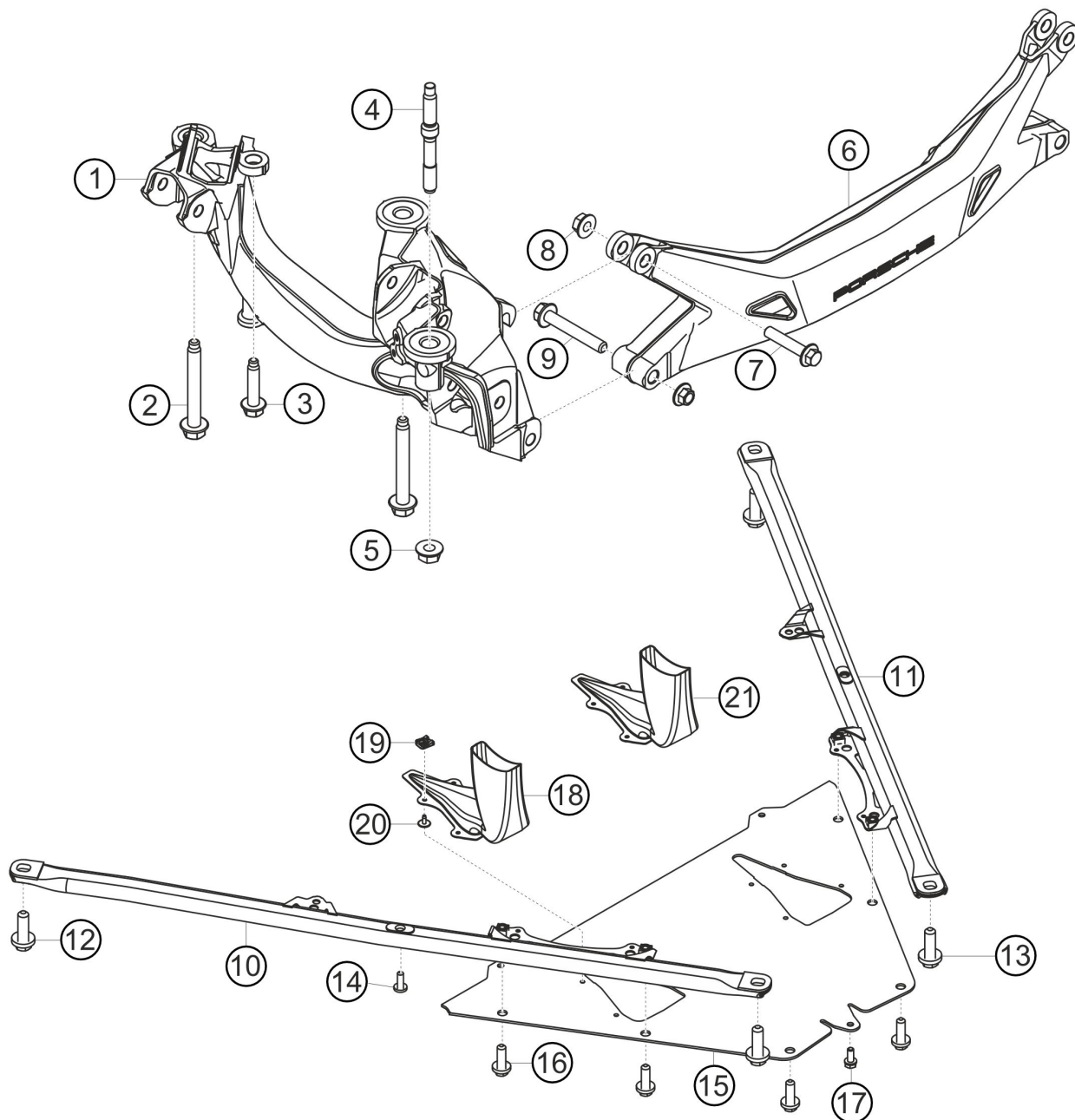
4.8 steering wheel



Item no.	Description	M	Pc.	Material
1	SPORT STEERING WHEEL	X	1	9913478048A
2	SCREW M5x16 8.8	X	6	99907338601
3	AS RETAINING PANEL	X	1	9916415738A
4	QUICK COUPLING STEERING WHEEL	X	1	99734728591
5	SCREW		6	99907345501
6	STEERING WHEEL HUB	X	1	9913479038C
7	SCREW		1	N 91020701

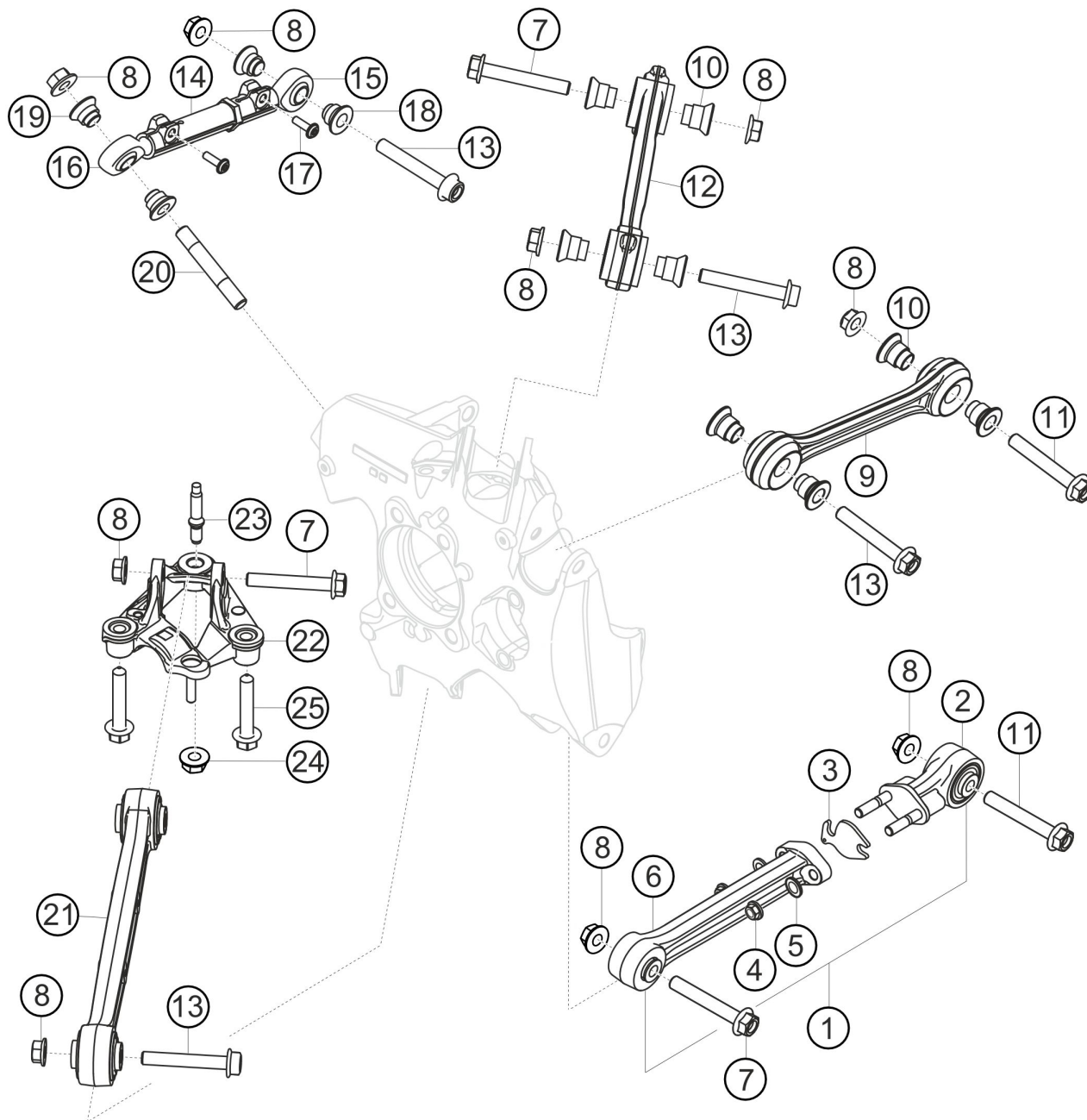
5 rear axle

5.1 rear axle side-carrier



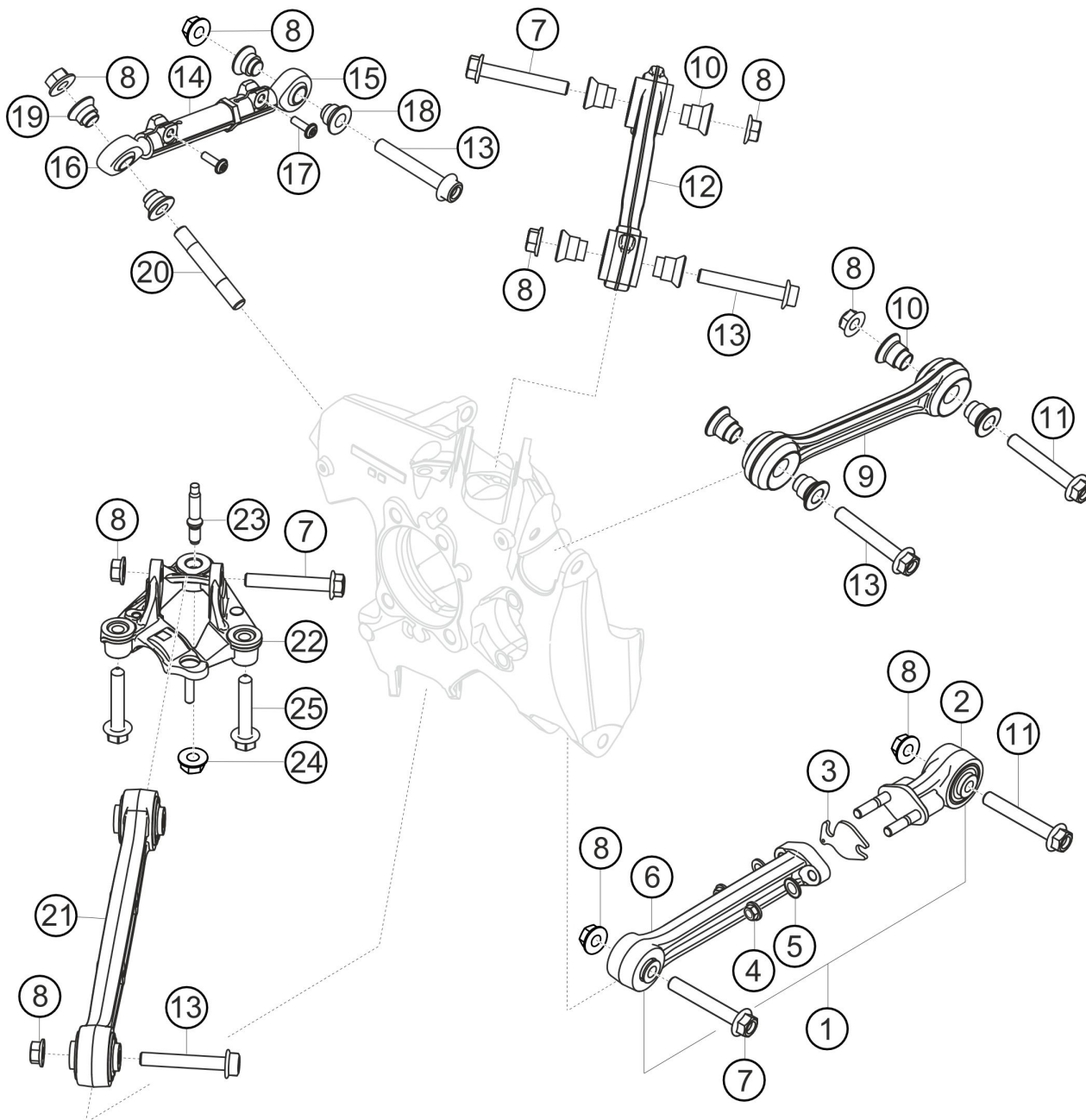
Item no.	Description	M	Pc.	Material
1	SIDE SECTION REAR AXLE LEFT	X	1	9913311518D
1	SIDE SECTION REAR AXLE RIGHT	X	1	9913311528D
2	HEXAGON-HEAD BOLT M12XX1,5X95 10.9 PA 26B1 *		4	99907286601
3	HEXAGON-HEAD BOLT		2	N 10699901
4	STUD		2	99906112701
5	HEXAGON NUT		2	N 90916701
6	AS Crossrail rear axle	X	1	9913312618C
7	HEXAGON-HEAD BOLT		2	99907285901
8	LOCK NUT		4	99908444501
9	HEXAGON-HEAD BOLT M12X1,5X80 10.9 26B1 *		2	99907286801
10	AS DIAGONAL BRACE LEFT		1	99133108707
11	AS DIAGONAL BRACE RIGHT		1	99133108807
12	COMBINATION SCREW		2	99907344301
13	HEXAGON-HEAD BOLT AM12X1,5X45 10.9 26B1 *		2	99907286901
14	ROUND HEAD SCREW		2	99907309501
15	STIFFENING PANEL RA,DIAGONAL BRACE	X	1	9913310708A
16	HEXAGON-HEAD BOLT		6	N 90919202
17	HEXAGON-HEAD BOLT M6X16 I10644 8.8-S1-N-MK*		1	99921711601
18	AS AIR ROUTING DRIVE SHAFT	X	1	9915751178A
19	SPEED NUT		4	99959185501
20	TAPPING SCREW		8	99907322809
21	AS AIR ROUTING DRIVE SHAFT	X	1	9915751188A

5.2 rear axle wishbones



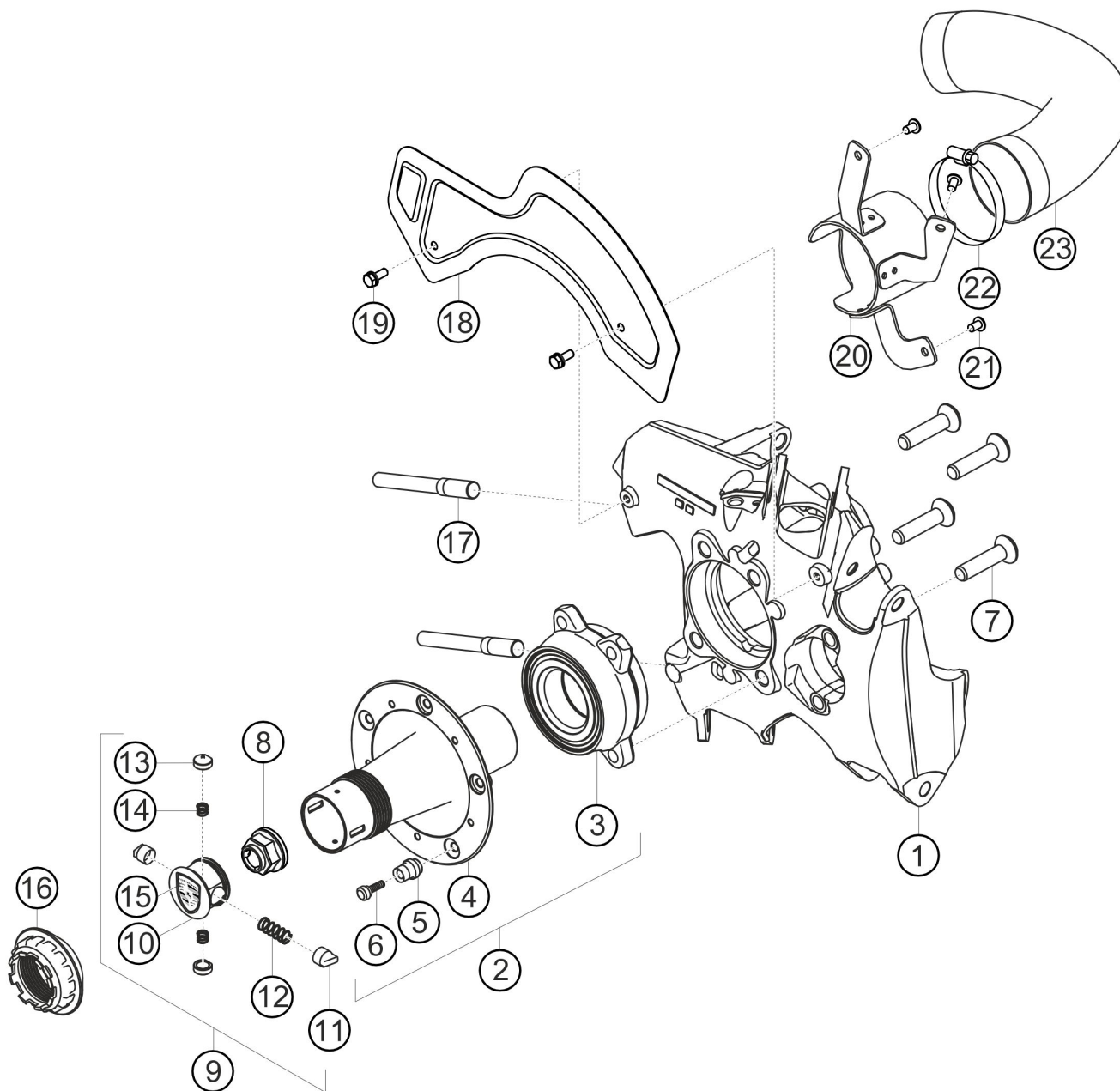
Item no.	Description	M	Pc.	Material
1	AS WISHBONE LOWER	X	1	9913310538C
2	AS FIXED BEARING WISHBONE	X	1	9913312538C
3	ADJUSTING DISK REAR T=0,3 MM	X	1	99133154385
3	ADJUSTING DISK REAR T=8,0 MM	X	1	99133154384
3	ADJUSTING DISK REAR T=4,0 MM	X	1	99133154383
3	ADJUSTING DISK REAR T=2,0 MM	X	1	99133154382
3	ADJUSTING DISK REAR T=1,0 MM	X	1	99133154381
3	ADJUSTING DISK REAR T=0,5 MM	X	1	99133154380
4	HEXAGON NUT M10 4032 10 26B1	X	2	90007608001
5	WASHER 10 7092 300HV R642		2	90003100505
6	WISHBONE LOWER	X	1	9913313418C
7	HEXAGON-HEAD BOLT M12X1,5X80 10.9 26B1 *		3	99907286801
8	LOCK NUT		8	99908444501
9	AS WISHBONE UPPER	X	1	9913310478A
10	SLEEVE	X	8	9913315478A
11	HEXAGON-HEAD BOLT M12X1,5X90 10.9 26B1		2	99907285201
12	AS TRAILING ARM UPPER	X	1	9913310618C
13	PAN-HEAD SCREW		4	99907353001
14	AS STEERING TIE ROD RA	X	1	9913310458A
15	SWIVEL HEAD LEFT	X	1	9913312478A
16	SWIVEL HEAD RIGHT	X	1	9913312488A
17	SCREW FILL. HD.		2	99907325209
18	SPACER SLEEVE STEERING TIE ROD	X	2	9913315678K

5.2 rear axle wishbones



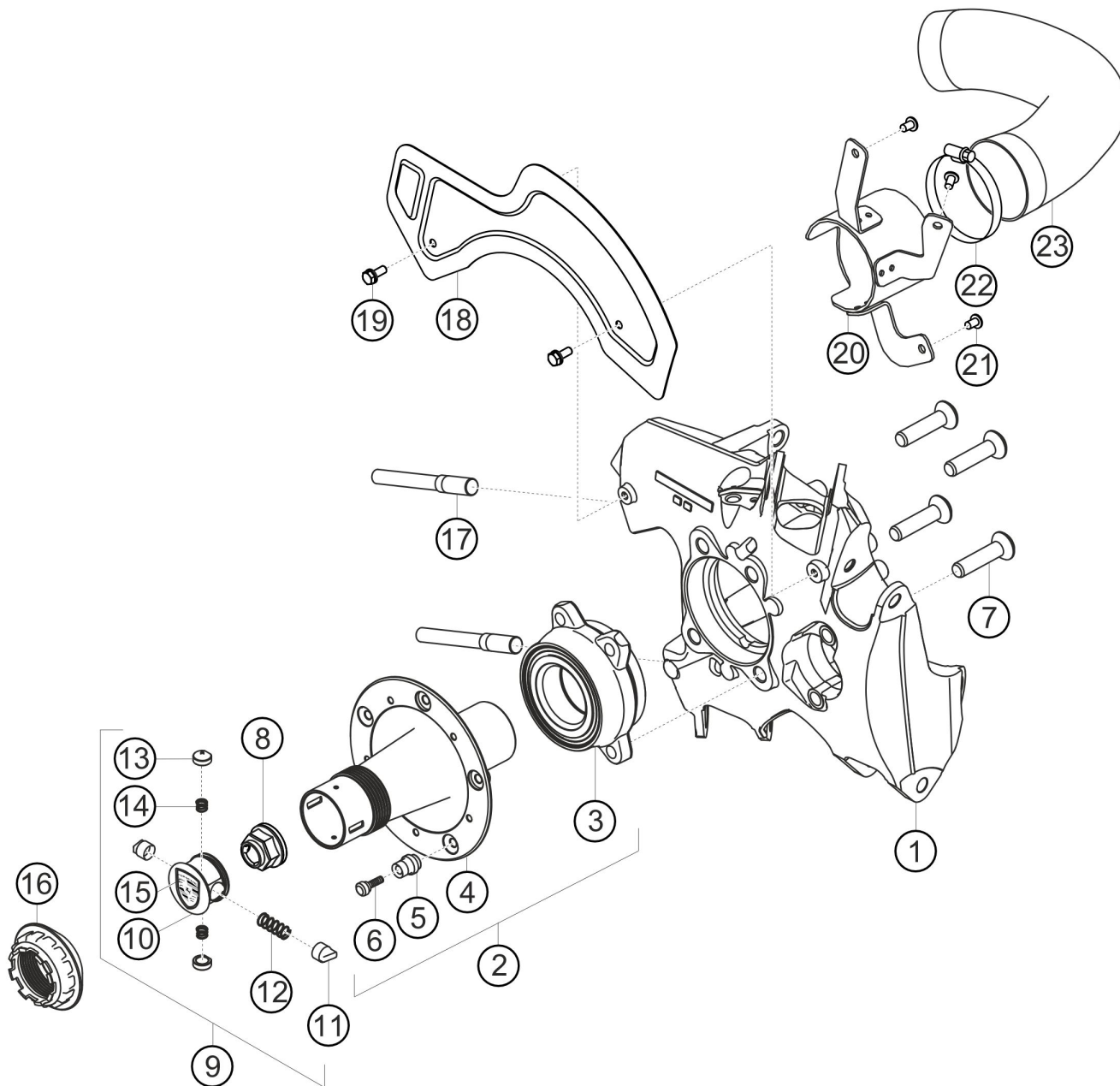
Item no.	Description	M	Pc.	Material
19	SPACER SLEEVE STEERING TIE ROD	X	2	9913315678E
20	STUD BOLT M12X1,5X75 10.9	X	1	99906105901
21	AS TRAILING ARM LOWER	X	1	9913310438C
22	FIXTURE TRAILING ARM RIGHT	X	1	9913313308A
22	FIXTURE TRAILING ARM LEFT	X	1	9913313298A
23	STUD		1	99906112401
24	HEXAGON NUT		1	99907605301
25	COMBINATION SCREW		2	99907208301

5.3 rear upright



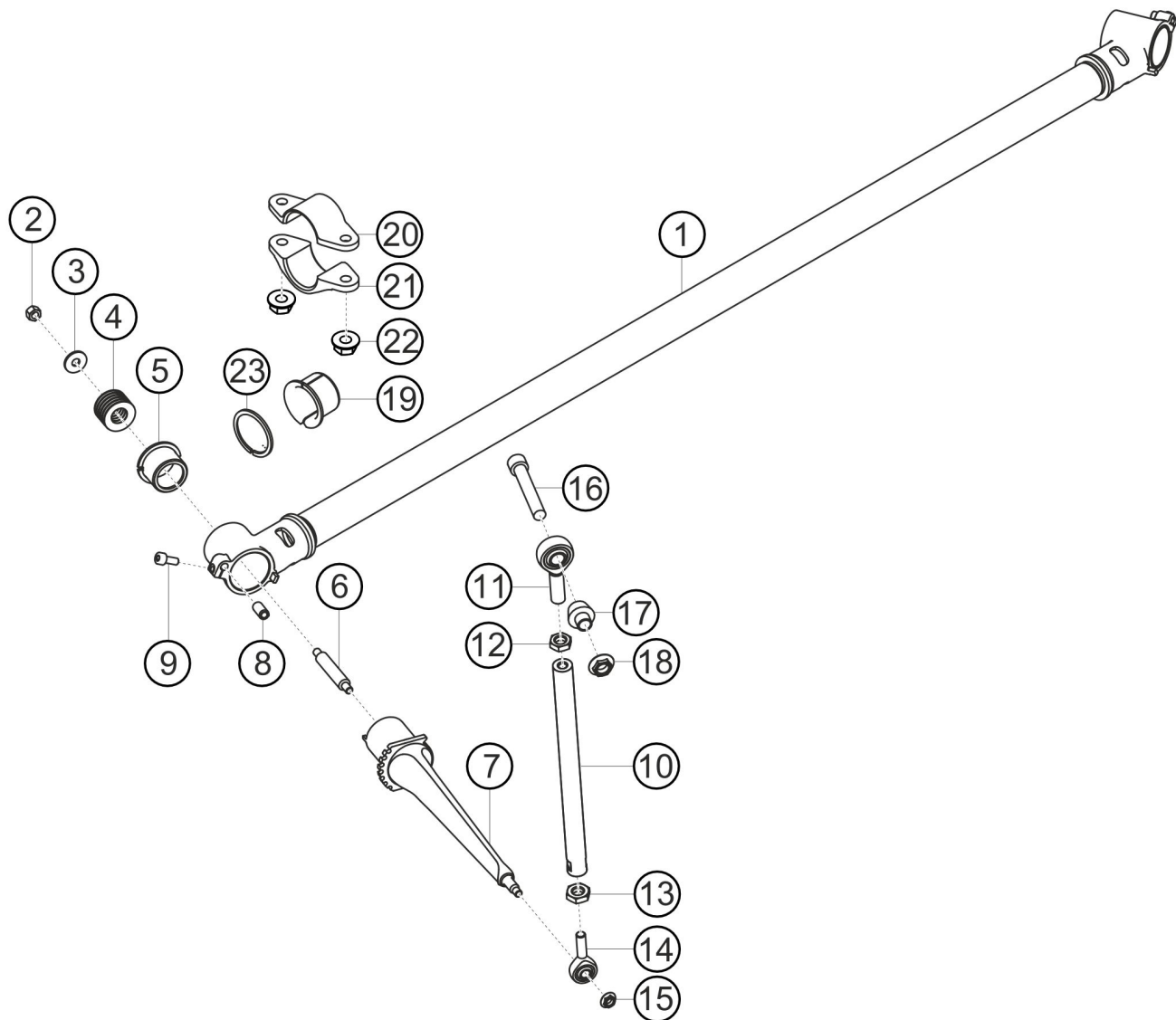
Item no.	Description	M	Pc.	Material
1	WHEEL CARRIER RA LEFT	X	1	9913316118A
1	WHEEL CARRIER RA RIGHT	X	1	9913316128A
2	AS WHEEL HUB SERVICE	X	1	9913319678D
2	AS WHEEL HUB SERVICE	X	1	9913319688D
3	ANGULAR BALL BEARING	X	1	7P0501287
4	WHEEL HUB CENTER LOCK LEFT	X	1	9913316078C
4	WHEEL HUB CENTER LOCK RIGHT	X	1	9913316088C
5	DRIVING PIN CENTER LOCK	X	5	9913417058A
6	SCREW M8x32 10.9		5	99907354801
7	MULTIPLE-TOOTH SCREW		4	WHT004835
8	LOCK NUT		1	99908464101
9	SET CENTER LOCK	X	1	9973319519A
10	PLUG LOCKING PIN		1	98034173901
11	LOCKING PIN	X	2	9973417379A
12	COIL SPRING		1	98034174100
13	LOCKING PIN	X	2	99734162590
14	SPRING LOCKING PIN	X	2	99734162790
15	WHEEL TRIM CAP		1	98036130300
16	NUT CENTER LOCK LEFT	X	1	9973313079A
16	NUT CENTER LOCK RIGHT	X	1	9973313089A
17	STUD BOLT M10X1,50 10.9	X	2	99906100302
18	COVER PANEL RA LEFT	X	1	9913528018A
18	COVER PANEL RA RIGHT	X	1	9913528028A

5.3 rear upright



Item no.	Description	M	Pc.	Material
19	HEXAGON-HEAD BOLT M6X16 I10644 8.8-S1-N-MK*		2	99921711601
20	BRAKE-AIR SCOOP WHEEL CARRIER RIGHT	X	1	9915754348B
20	BRAKE-AIR SCOOP WHEEL CARRIER LEFT	X	1	9915754338B
21	LENS-HD. SCREW		3	99901502509
22	HOSE CLIP A 60-80	X	2	99951273701
23	COOLING AIR HOSE	X	1	9915055738A

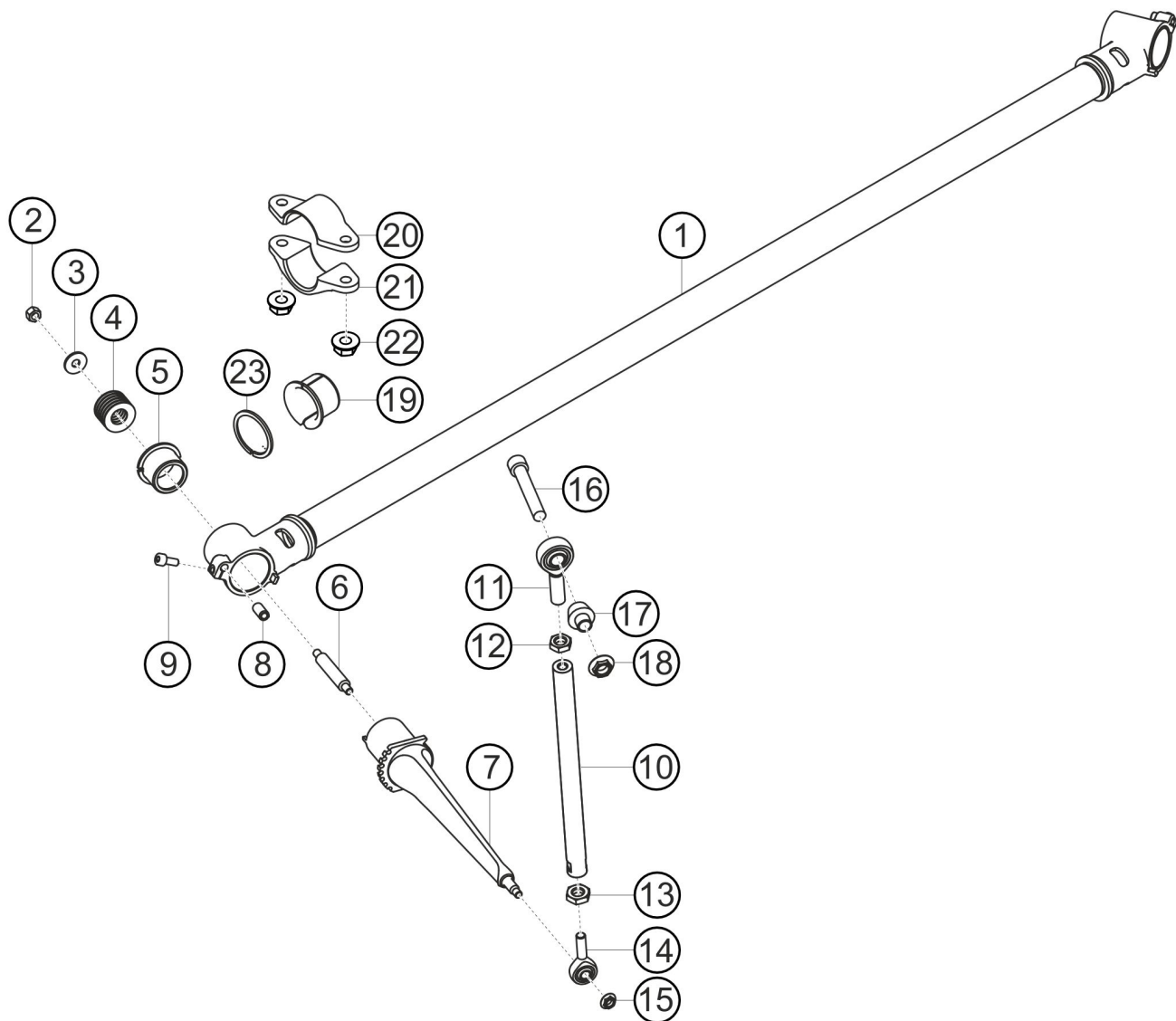
5.4 anti-roll bar rear



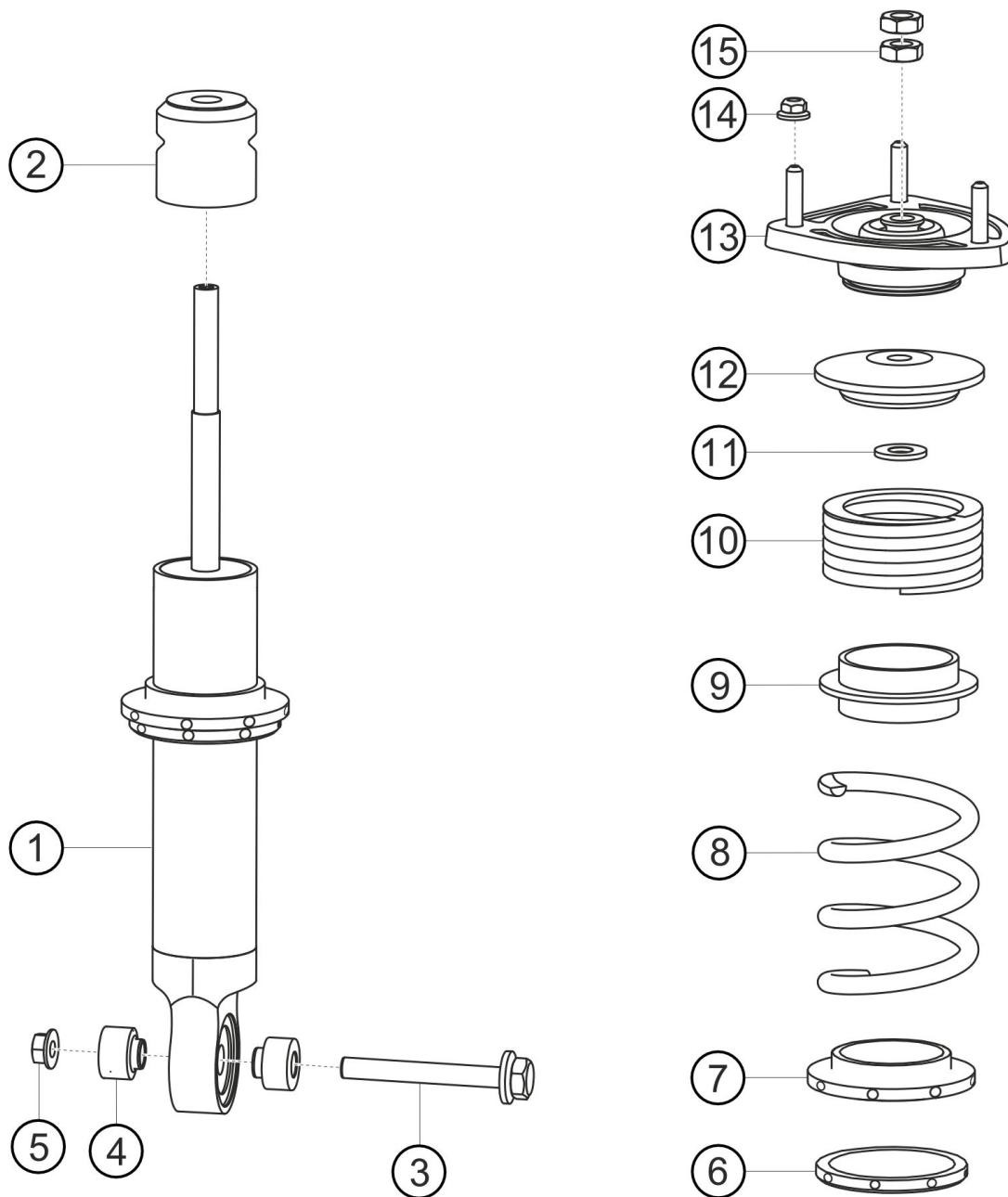
Item no.	Description	M	Pc.	Material
1	AS STABILIZER	X	1	9913331718A
2	LOCKING NUT		2	90091004709
3	WASHER		2	90015100603
4	DISK SPRING C 28 D 2093 51CRV4 B110	X	22	90022202501
5	LID STABILIZER	X	2	9913437238A
6	THREADED BOLT STABILIZER	X	2	9913437338A
7	BENDING LEVER	X	2	9913437258A
8	STUD BOLT M8X18	X	2	99924200701
9	CYLINDER SCREW M4x10 4762 8.8 C350		2	90006708002
10	AS STABILIZER LINK RA	X	2	9913330708A
11	JOINT ROD HEAD	X	1	99959302000
12	HEX. NUT M8x1,25 KLLN9338 LH 1.7220.3 RIGHT	X	1	90081701801
13	HEX. NUT M8x1,25 KLLN9338 1.7220.3 LEFT	X	1	90081701901
14	SWIVEL HEAD	X	1	9913337228A
15	HEX. NUT M6 LN9338 1.7220.3	X	2	90081700102
16	PAN-HEAD SCREW		2	90006707302
17	SPACER SLEEVE	X	2	9913315578A
18	HEXAGON NUT		2	99908444701
19	STABILIZER SUSPEN.	X	2	9973337929B
20	CLAMP UPPER	X	2	9913337778A
21	CLAMP LOWER	X	2	9913337788C
22	HEXAGON NUT		4	90038000501
23	WASHER STABILIZER	X	1	9913437618A

5.4 anti-roll bar rear

Item no.	Description	M	Pc.	Material
23	WASHER STABILIZER	X	1	9913437618B

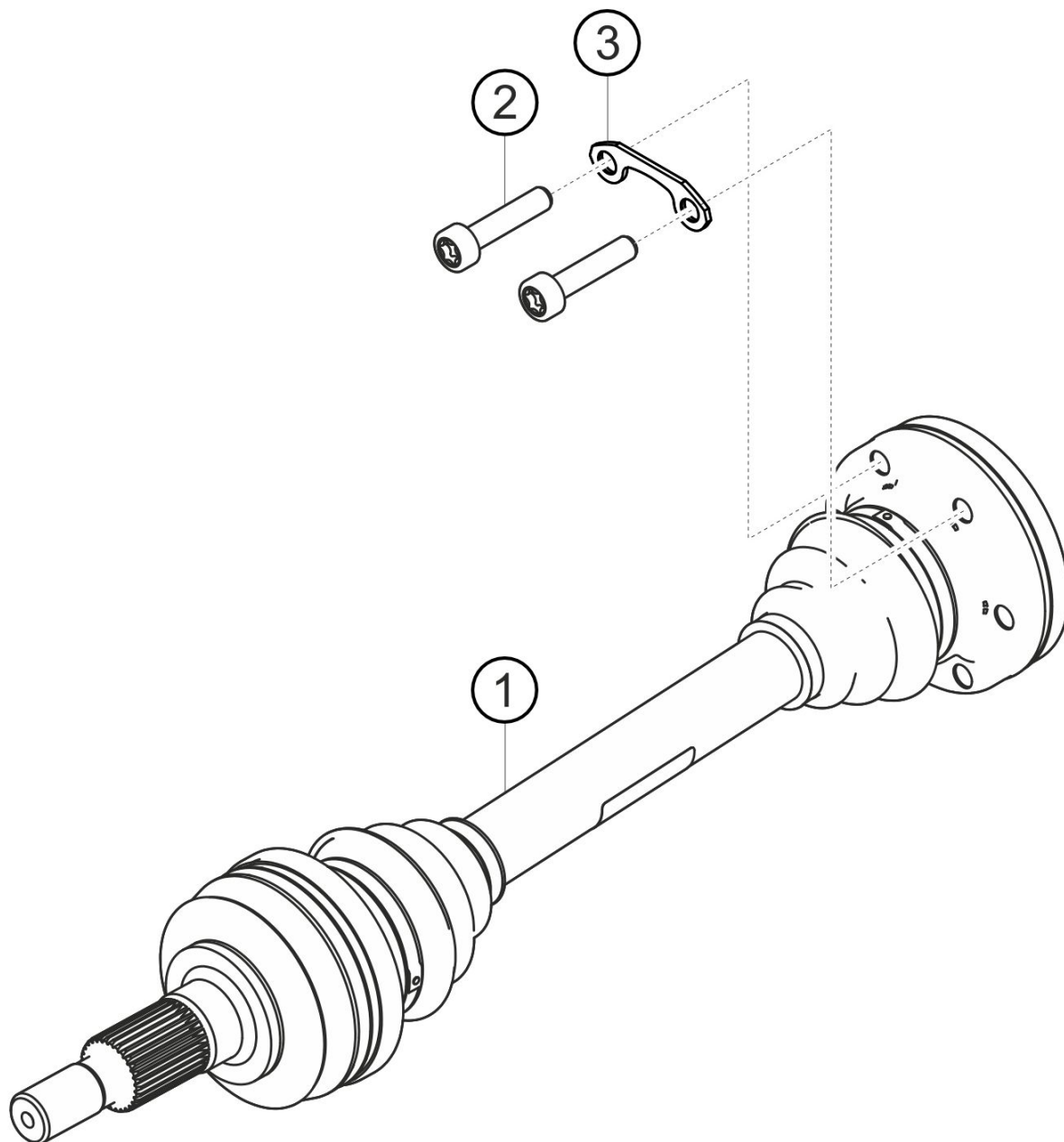


5.5 suspension strut rear



Item no.	Description	M	Pc.	Material
1	AS VIBRATION DAMPER RA	X	1	9913330518A
2	AUXILIARY SPRING	X	1	9913336778A
3	HEXAGON-HEAD BOLT M12X1,5X80 10.9 26B1 *		1	99907286801
4	SLEEVE	X	2	9913335418A
5	HEX. NUT M12x1,5 LN9338 1.7220.3		1	90081700402
6	COUNTERNUT	X	1	99634354790
7	NUT SPRING REST	X	1	99634354990
8	COIL SPRING RA	X	1	9913335318C
9	INTERMEDIATE RING	X	1	9913435458A
10	AUXILIARY SPRING	X	1	99733353790
11	SPACER RING SUSPENSION STRUT	X	1	9913334688B
12	SPRING REST UPPER	X	1	9913335158A
13	AS SUPPORT BEARING RA	X	1	9913330618A
14	HEXAGON NUT		3	99908444701
15	COUNTERNUT	X	2	9973437859A

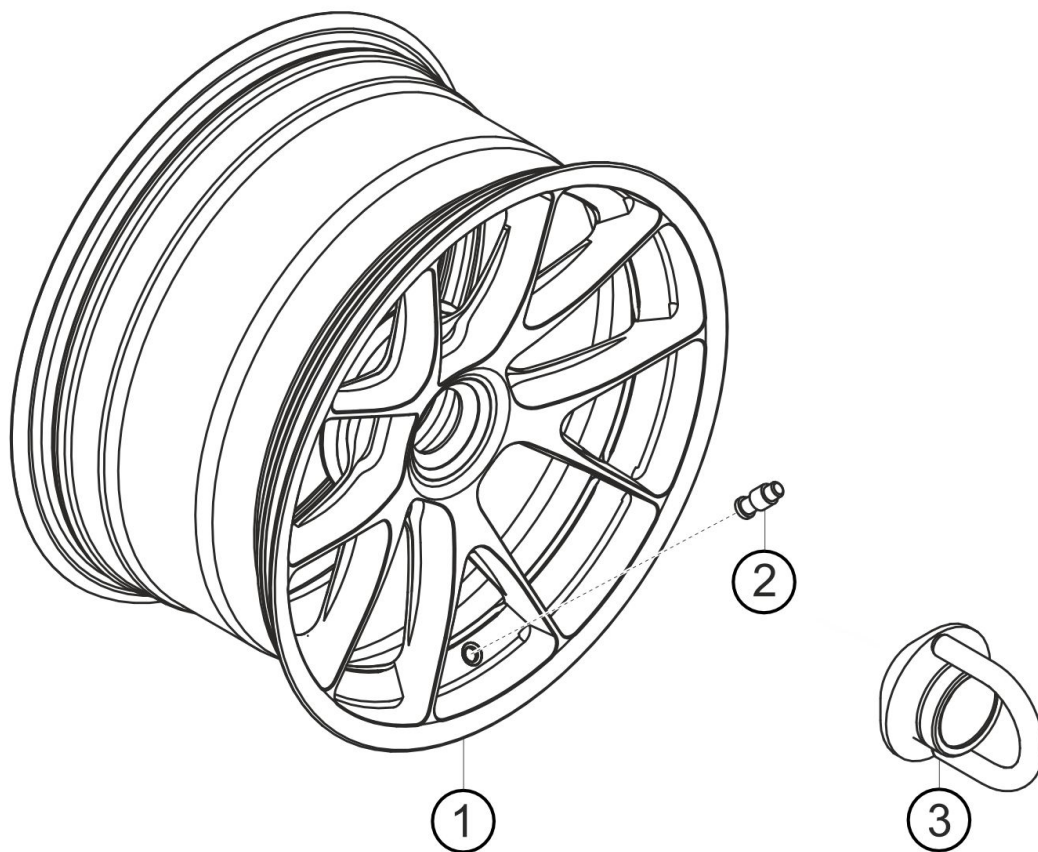
5.6 drive shaft



Item no.	Description	M	Pc.	Material
1	AS DRIVE SHAFT RA	X	2	9913320248A
2	CYLINDER SCREW M10x55 4762 12.9 B110		12	90006708701
3	BACKING PLATE	X	6	7L0501357D

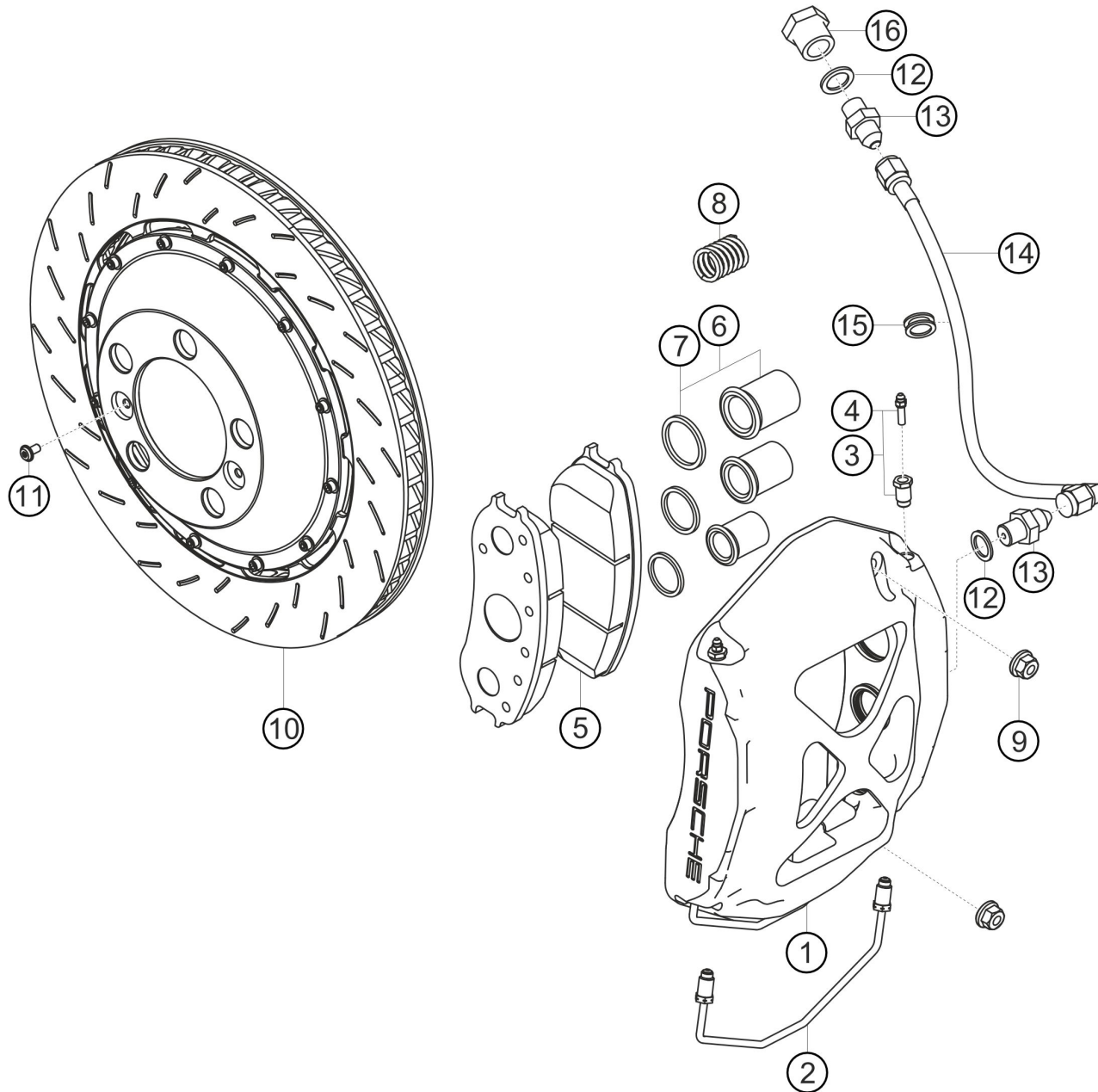
6 rims and brakes

6.1 rims



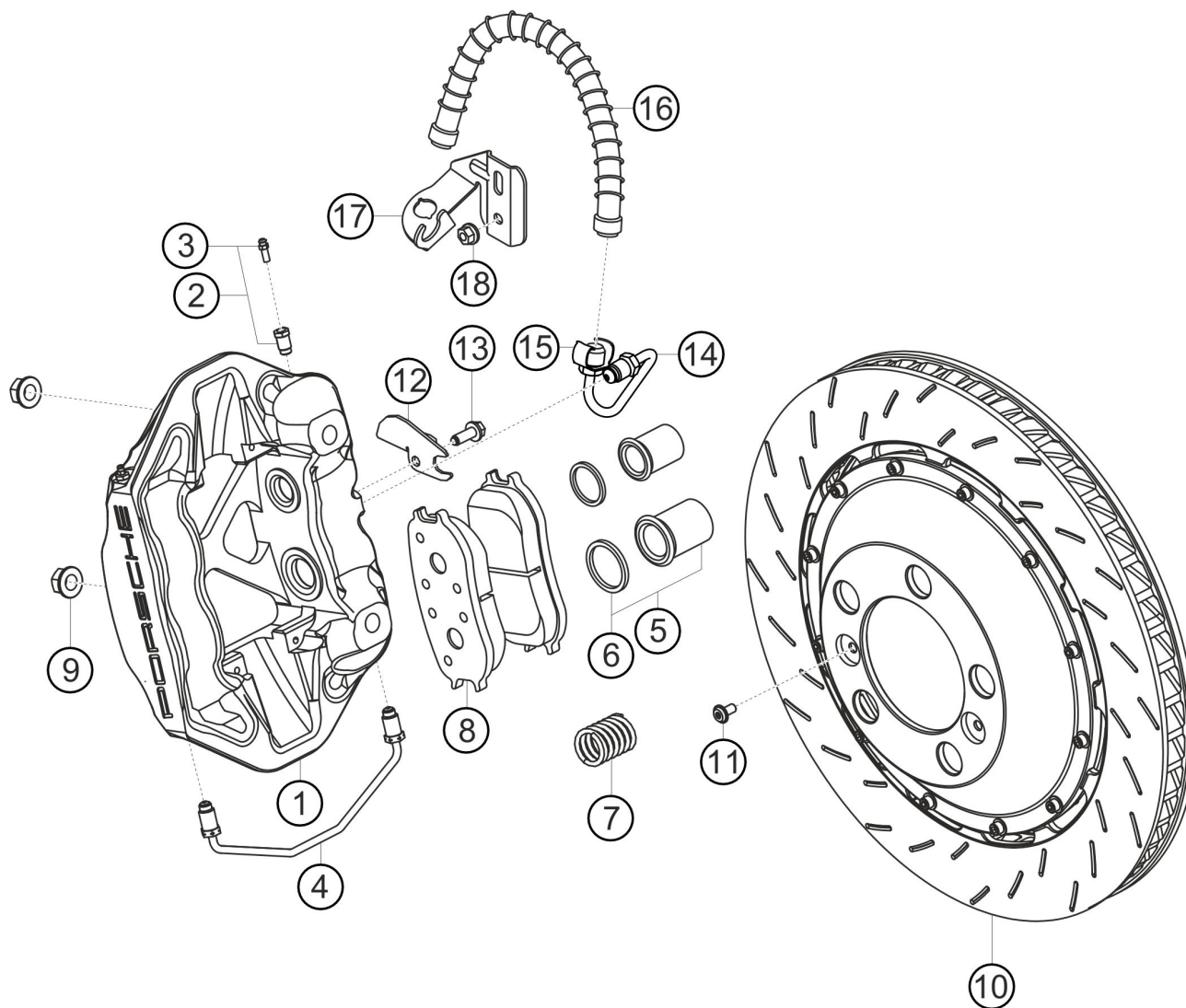
Item no.	Description	M	Pc.	Material
1	WHEEL,CUP 10.5JX18"OS28	X	2	9913621318A
1	WHEEL,CUP 12JX18"OS53	X	2	9913621518A
2	WHEEL VALVE	X	4	99336225180
3	LUG NUT LEFT TRANSPORTATION	X	2	9973616099A
3	LUG NUT RIGHT TRANSPORTATION	X	2	9973616109A

6.2 brake front



Item no.	Description	M	Pc.	Material
1	FIXED CALIPER FA,LH	X	1	9913514278A
1	FIXED CALIPER FA,RH	X	1	9913514288A
2	CONNECTING LINE	X	1	9913519618A
3	BLEEDER SCREW SET	X	1	9913519198A
4	BLEEDER SCREW	X	1	9913556018A
5	BRAKE LINING FA	X	4	9913519428A
6	R-KIT BRAKE CALIPER PISTON	X	1	9913519598A
7	R-KIT BRAKE CALIPER SEALING	X	1	9913519608A
8	R-KIT BRAKE CALIPER SPRING	X	1	9913519638A
9	NUT M10	X	2	99907608302
10	AS BRAKE DISK FRONT LEFT	X	1	9913511058A
10	AS BRAKE DISK FRONT RIGHT	X	1	9913511068A
11	LENS-HD. SCREW		2	99901502509
12	SEAL RING 10X14		2	N 0138063
13	ADAPTER 10x1	X	2	99910502602
14	AS BRAKE LINE	X	1	9913555848A
15	GROMMET 10,0X12,0X1,5	X	1	99970327940
16	SPACER 10X1		1	91435566100

6.3 brake rear

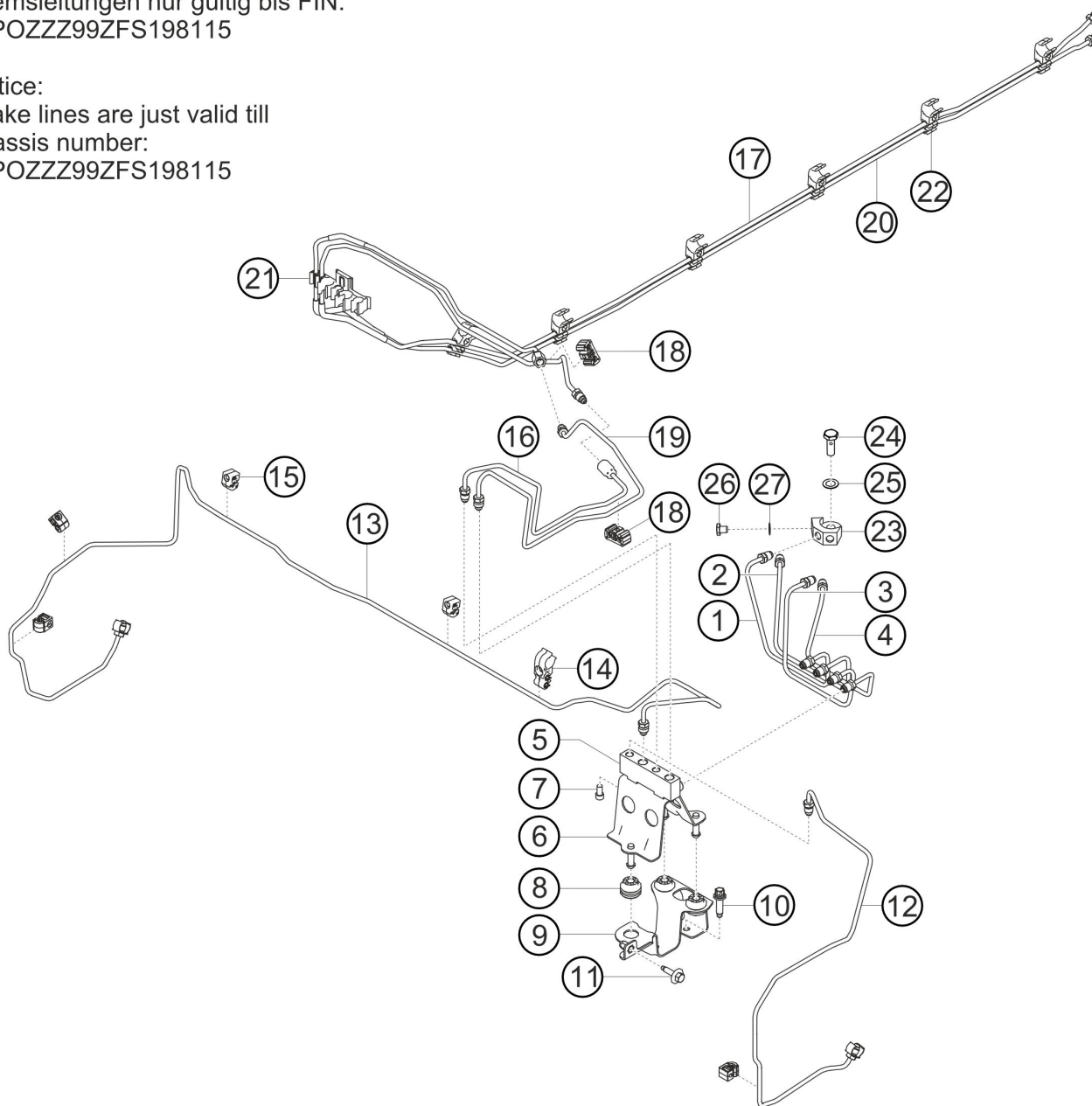


Item no.	Description	M	Pc.	Material
1	FIXED CALIPER RA LEFT	X	1	9913524278A
1	FIXED CALIPER RA RIGHT	X	1	9913524288A
2	BLEEDER SCREW SET	X	1	9913519198A
3	BLEEDER SCREW	X	1	9913556018A
4	CONNECTING LINE	X	1	9913529618A
5	R-KIT BRAKE CALIPER PISTON	X	1	9913529598A
6	R-KIT BRAKE CALIPER SEALING	X	1	9913529608A
7	R-KIT BRAKE CALIPER SPRING	X	1	9913529638A
8	BRAKE LINING RA	X	4	9913529428A
9	NUT M10	X	2	99907608302
10	AS BRAKE DISK RA LEFT	X	1	9913521078A
10	AS BRAKE DISK RIGHT RA	X	1	9913521088A
11	LENS-HD. SCREW		2	99901502509
12	HOLDER BRAKE HOSE RIGHT	X	1	9913555048A
12	HOLDER BRAKE HOSE LEFT	X	1	9913555038A
13	HEXAGON-HEAD BOLT M6X16 I10644 8.8-S1-N-MK*		2	99921711601
14	AS BRAKE LINE RA LEFT	X	1	9913555858A
14	AS BRAKE LINE RA RIGHT	X	1	9913555868A
15	HOLDING SPRING BRAKE HOSE		1	99735533101
16	BRAKE HOSE		1	99135513701
17	HOLDER BRAKE HOSE LEFT	X	1	99135550580
17	HOLDER BRAKE HOSE RIGHT	X	1	99135550680
18	PLASTIC NUT		2	99904903340

6.4 brake lines front version 1

Hinweis:
 Bremsleitungen nur gültig bis FIN:
 WPOZZZ99ZFS198115

Notice:
 Brake lines are just valid till
 chassis number:
 WPOZZZ99ZFS198115

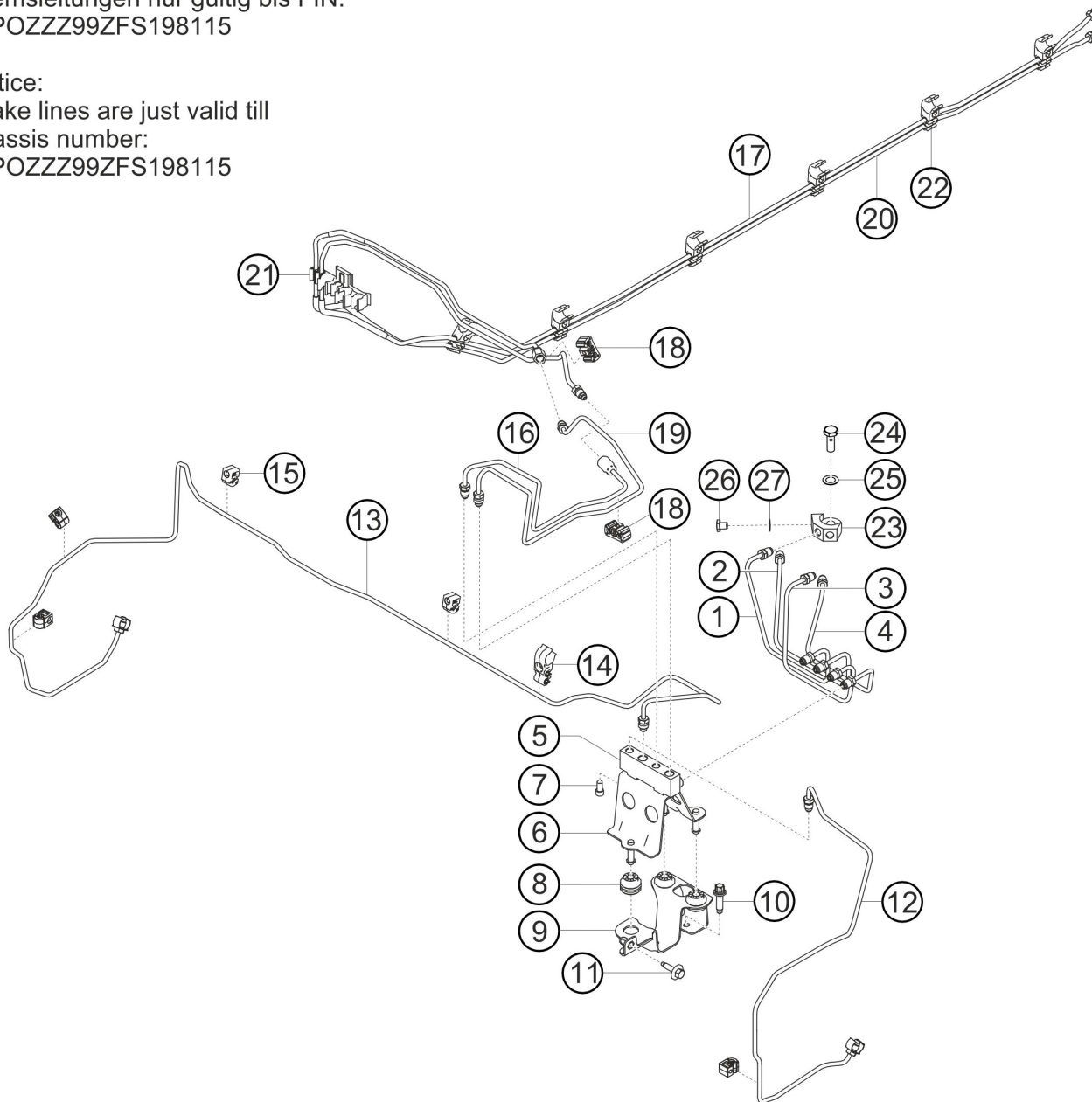


Item no.	Description	M	Pc.	Material
1	AS BRAKE LINE FLH	X	1	9913553278A
2	AS BRAKE LINE FRH	X	1	9913553268A
3	AS BRAKE LINE REAR LEFT	X	1	9913553158A
4	AS BRAKE LINE REAR RIGHT	X	1	9913553168A
5	AS SPACER	X	1	9913556508A
6	HOLDER HYDRAULIC UNIT	X	1	9913551358A
7	PAN-HEAD SCREW		2	99921801103
8	BUFFER	X	3	7P0614177
9	SUPPORT LOWER PART HYDRAULIC UNIT		1	99135503301
10	TORX SCREW		1	90038500101
11	HEXAGON-HEAD BOLT		1	N 90999502
12	AS BRAKE LINE		1	99135517504
13	AS BRAKE LINE RH	X	1	9913551768A
14	HOLDER		1	99135551202
15	BRACKET DRIVE		5	95B611797
16	AS BRAKE LINE		1	99135531506
17	AS BRAKE LINE		1	99135517782
18	BRACKET		2	8K0611797D
19	AS BRAKE LINE		1	99135531611
20	AS BRAKE LINE		1	99135517981
21	HOLDER SIXTUPLE		1	99135550750
22	HOLDER		6	99135551202
23	RING-TYPE NIPPLES	X	2	9913556578A

6.4 brake lines front version 1

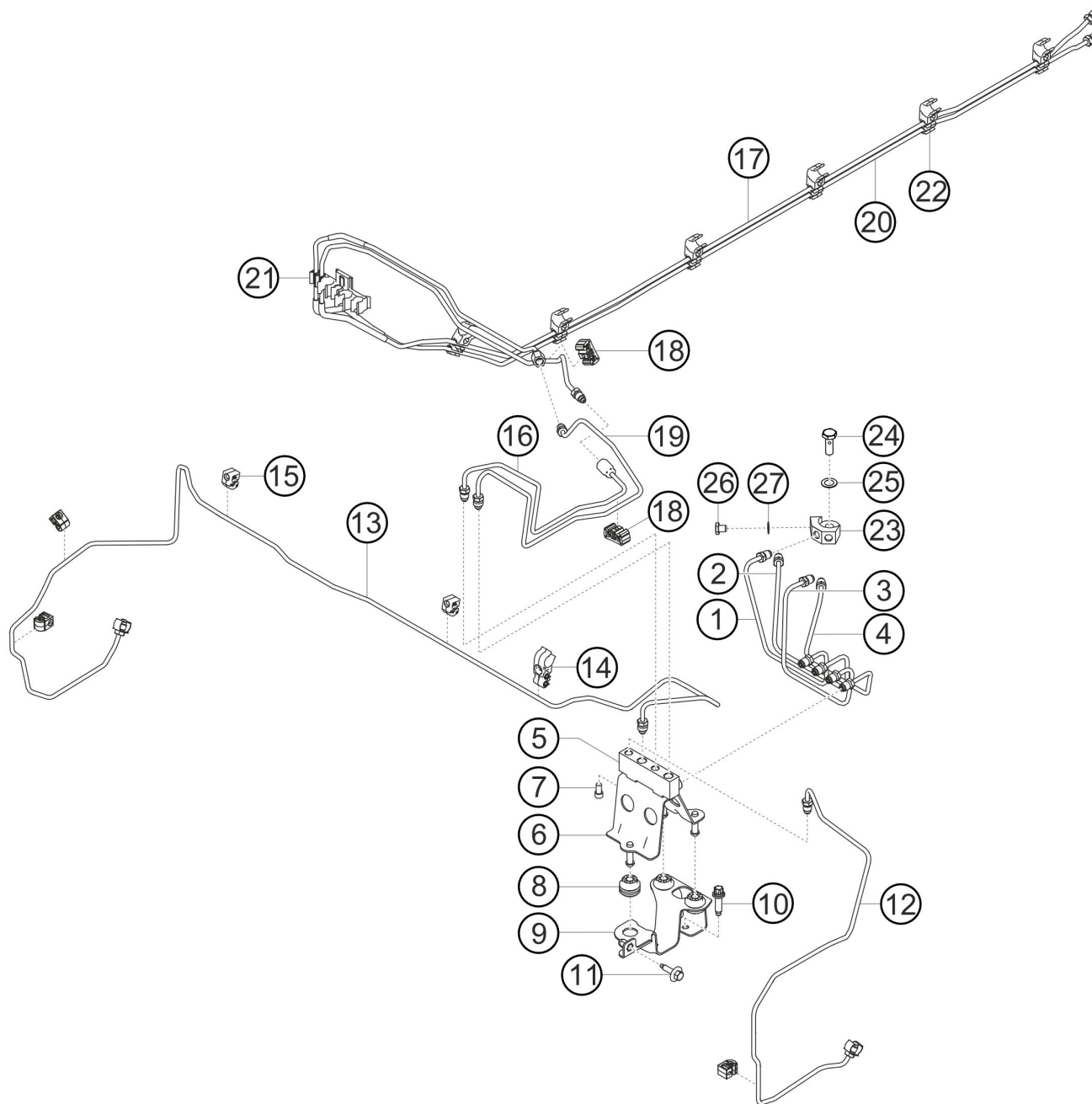
Hinweis:
 Bremsleitungen nur gültig bis FIN:
 WPOZZZ99ZFS198115

Notice:
 Brake lines are just valid till
 chassis number:
 WPOZZZ99ZFS198115



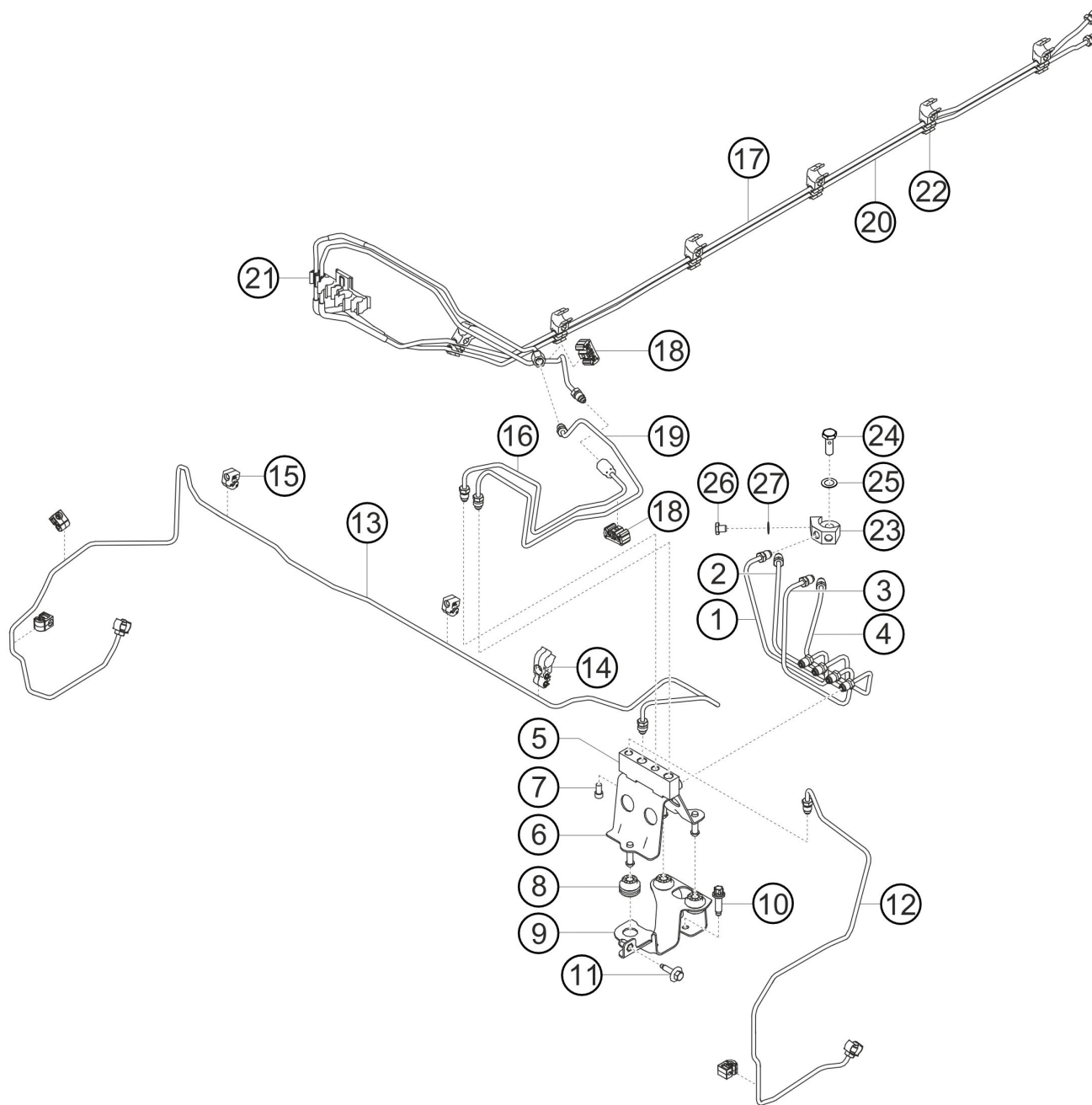
Item no.	Description	M	Pc.	Material
24	HOLLOW SCREW	X	2	9913555618A
25	SEALING RING		4	90012306220
26	PLUG	X	2	99735585790
27	O-RING 7,65X1,65		2	99970735540

6.5 brake lines front version 2



Item no.	Description	M	Pc.	Material
1	AS BRAKE LINE FLH	X	1	9913553278A
2	AS BRAKE LINE FRH	X	1	9913553268A
3	AS BRAKE LINE REAR LEFT	X	1	9913553158A
4	AS BRAKE LINE REAR RIGHT	X	1	9913553168A
5	AS SPACER	X	1	9913556508A
6	HOLDER HYDRAULIC UNIT	X	1	9913551358A
7	PAN-HEAD SCREW		2	99921801103
8	BUFFER	X	3	7P0614177
9	SUPPORT LOWER PART HYDRAULIC UNIT		1	99135503301
10	TORX SCREW		1	90038500101
11	HEXAGON-HEAD BOLT		1	N 90999502
12	AS BRAKE LINE		1	99135517505
13	AS BRAKE LINE RH	X	1	9913551768A
14	HOLDER		1	99135551202
15	BRACKET DRIVE		5	95B611797
16	AS BRAKE LINE		1	99135531507
17	AS BRAKE LINE		1	99135517783
18	BRACKET		2	8K0611797D
19	AS BRAKE LINE		1	99135531612
20	AS BRAKE LINE		1	99135517982
21	HOLDER SIXTUPLE		1	99135550750
22	HOLDER		6	99135551202
23	RING-TYPE NIPPLES	X	2	9913556578A

6.5 brake lines front version 2



Item no.	Description	M	Pc.	Material
24	HOLLOW SCREW	X	2	9913555618A
25	SEALING RING		4	90012306220

6.6 brake lines rear version 1

Item no.	Description	M	Pc.	Material
1	AS BRAKE LINE RA,LH		1	99135518980
2	AS BRAKE LINE RA,RH		1	99135519081
3	BRACKET DRIVE		8	95B611797



Hinweis:
 Bremsleitungen nur gültig bis FIN:
 WPOZZZ99ZFS198115

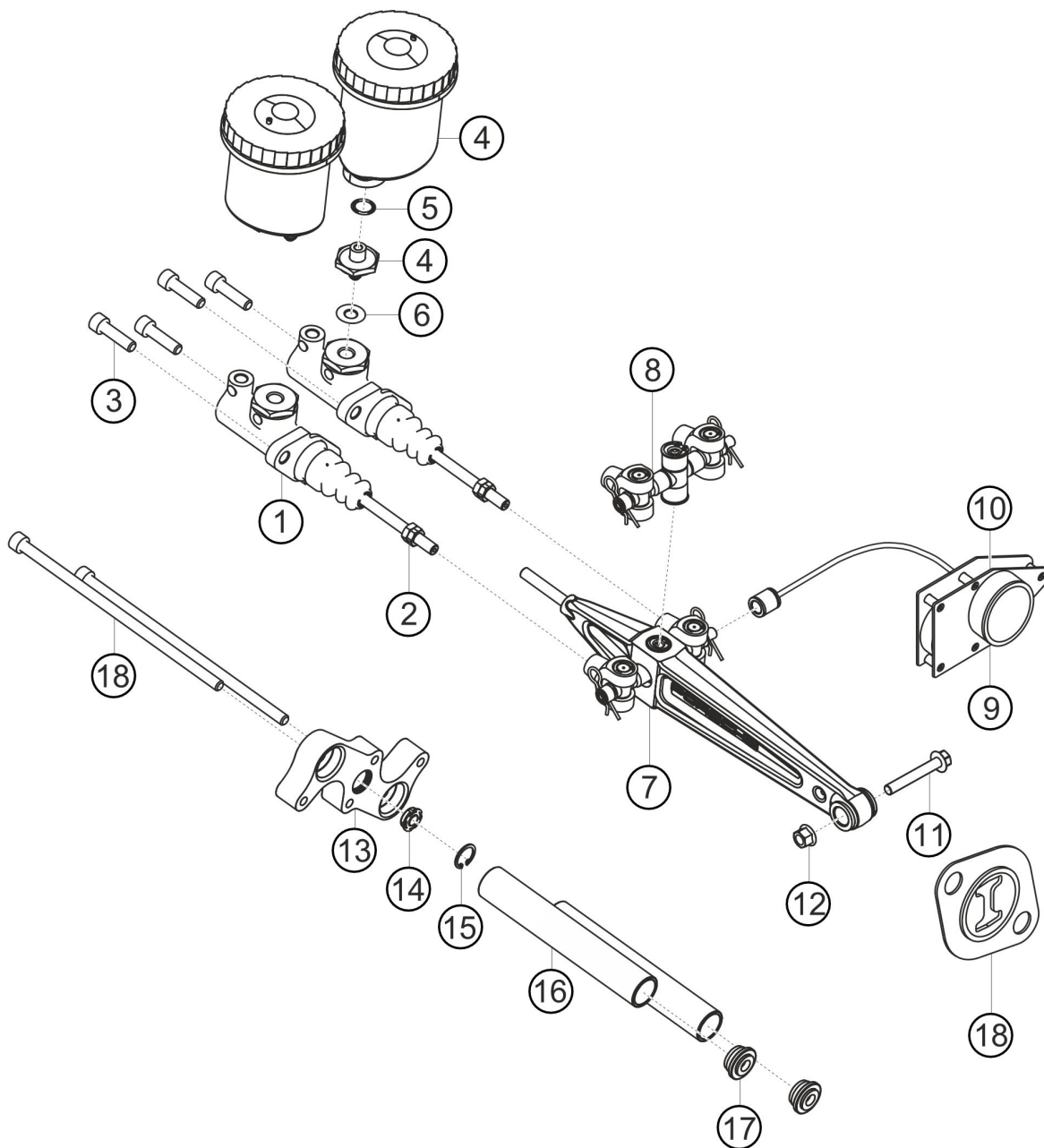
Notice:
 Brake lines are just valid till
 chassis number:
 WPOZZZ99ZFS198115

6.7 brake lines rear version 2



Item no.	Description	M	Pc.	Material
1	AS BRAKE LINE RA,LH		1	99135518981
2	AS BRAKE LINE		1	99135519006
3	BRACKET DRIVE		8	95B611797

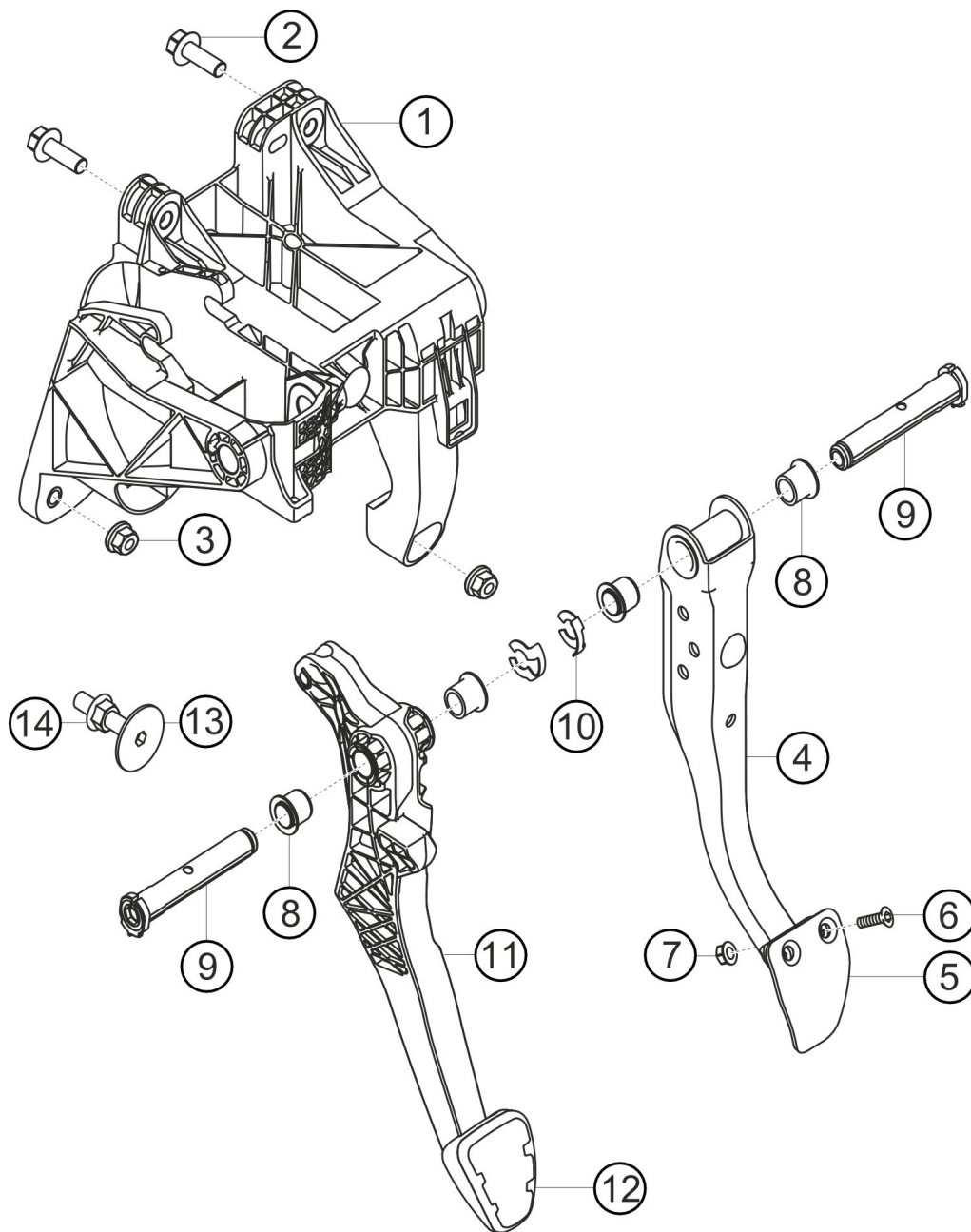
6.8 brake adjustment



Item no.	Description	M	Pc.	Material
1	BRAKE MASTER CYL.	X	2	9913551708C
2	NUT	X	4	9963557799A
3	SCREW M8x30 10.9	X	4	99907355301
4	TANK BRAKE FLUID	X	2	9963552119A
5	O-RING 17,17X1,76NPN	X	1	99970766840
6	SEALING RING 11,30X17	X	1	99912304220
7	AS PRESSURE ROD BRAKE ACTIVATION	X	1	9914231498A
8	R-KIT BALANCER LEVER	X	1	9913559398A
9	SET,POTENTIOMETER ADJUST. BRAKE UNIT	X	1	9916418098B
10	POTENTIOMETER BRAKE/STEER-ANGLE	X	1	99764181190
11	GROMMET	X	1	9916414518A
12	HEXAGON NUT M8X42 I 4014 10.9 26B1	X	1	90007402901
13	HEXAGON NUT		1	90038000501
14	FLANGE BRAKE MASTER CYL.	X	1	9913552458A
15	GUIDE ELEMENT PRESSURE ROD, CLUTCH	X	1	9913553458A
16	LOCK RING 18x1 DIN472 FED-ST B110	X	1	90004201301
17	SPACER SLEEVE BRAKE ACTIVATION	X	2	9913551478A
18	AS GUIDE SLEEVE BRAKE ACTIVATION	X	2	9913551498A
19	SCREW BM8x200x30 10.9	X	2	99907355201
20	AS SEALING BRAKE ACTIVATION	X	1	9913551558A

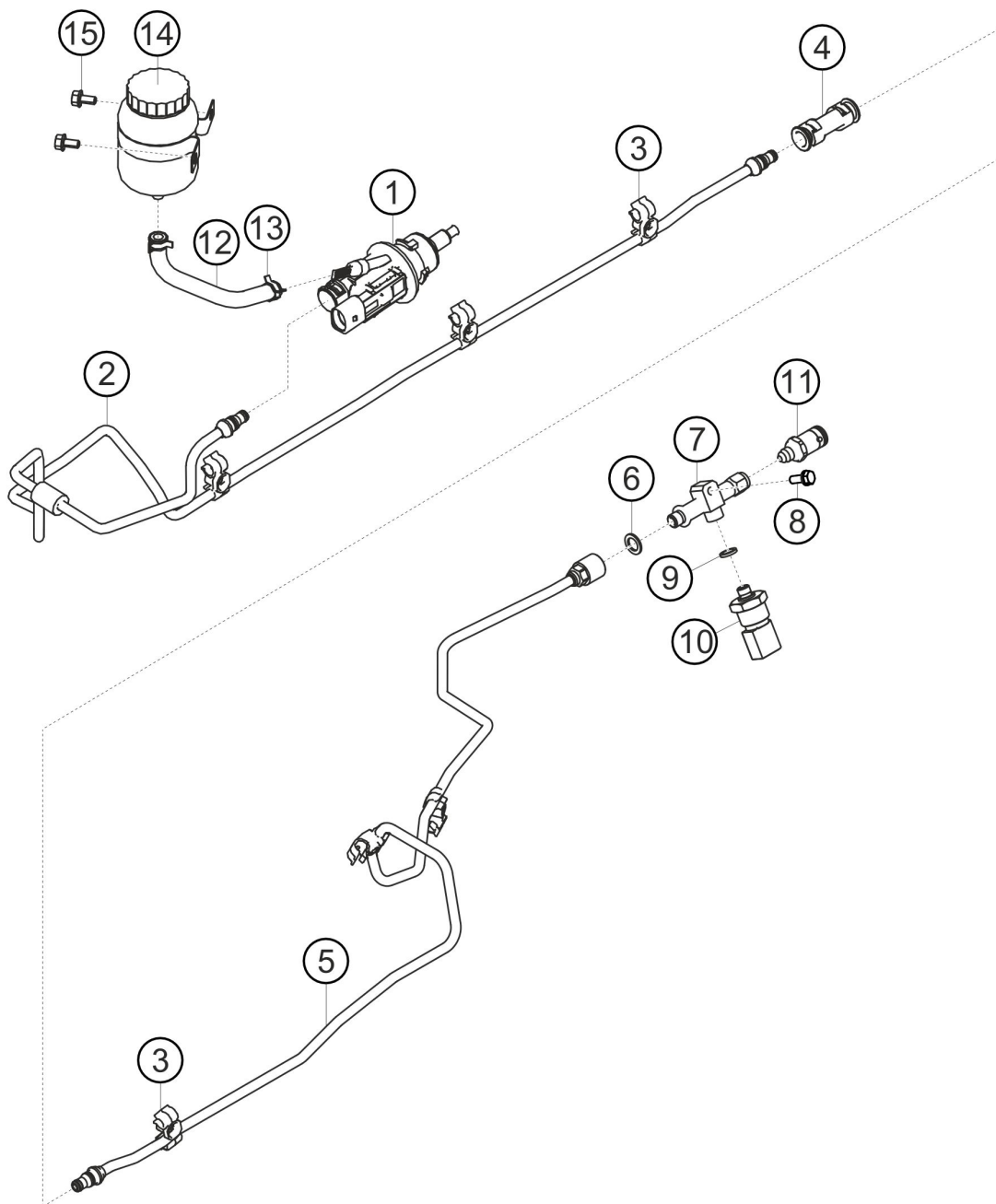
7 pedal system

7.1 pedal system



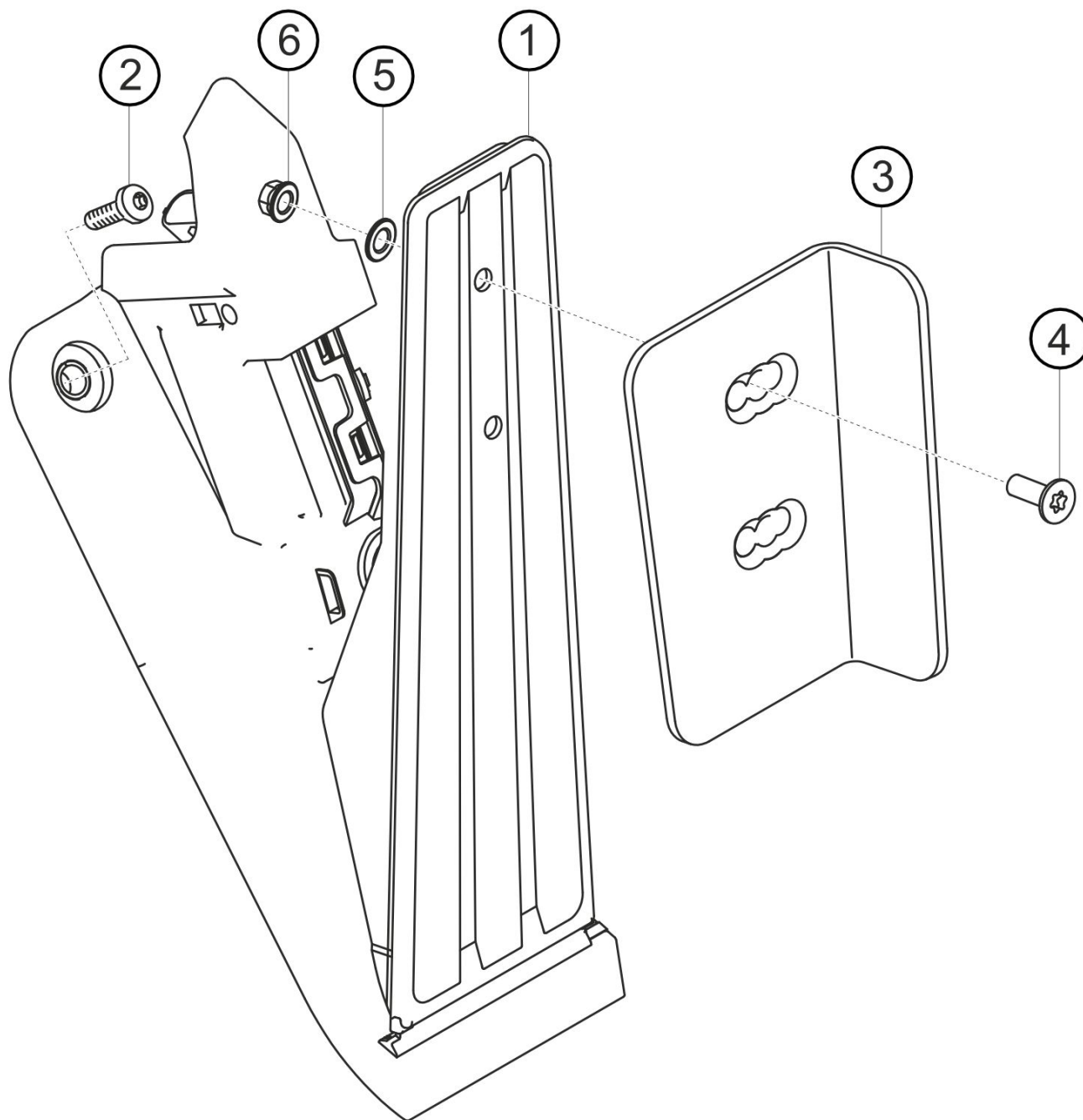
Item no.	Description	M	Pc.	Material
1	BEARING BRACKET		1	99142306500
2	HEXAGON-HEAD BOLT AM 8X25-PA EN1665 8.8 26B1		2	90037818001
3	NUT		2	N 90761103
4	AS BRAKE PEDAL LHD	X	1	9914230418B
5	PLATE BRAKE PEDAL	X	1	9914233418A
6	SREW M6X12	X	2	99907338801
7	HEXAGON BOLT M 6 O. KLLN9338 1.7220.3 *	X	2	90081701301
8	BUSH		4	7PP721113A
9	BEARING PIN		2	99142328300
10	KL-LOCK		2	99916609201
11	AS CLUTCH PEDAL LHD		1	99142303900
12	PEDAL CAP		1	9P1721173
13	SCREW STOP	X	1	99742358391
14	HEXAGON NUT M10 D 6923 10 26B1		1	90037701101

7.2 clutch control system



Item no.	Description	M	Pc.	Material
1	CLUTCH MASTER CYLINDER		1	99142317100
2	AS CLUTCH LINE		1	99142310704
3	HOLDER		7	99142351402
4	SLEEVE		1	99142315300
5	AS CLUTCH LINE	X	1	9914231138B
6	SEALING RING 17,4x11,2x1,7	X	1	99923001620
7	T-FITTING	X	1	9913557607A
8	SCREW FILL. HD.		1	999073253A2
9	WASHER 10,0X14,0X2	X	1	99923002121
10	PRESSURE SENSOR CLUTCH	X	1	99760620391
11	COUPLING DASH4	X	1	99923056330
12	AS FOLLOW-UP LINE	X	1	9914231388A
13	CLAMP		2	99951256801
14	BRAKE FLUID TANK	X	1	96435501900
15	HEXAGON-HEAD BOLT		1	99907200501

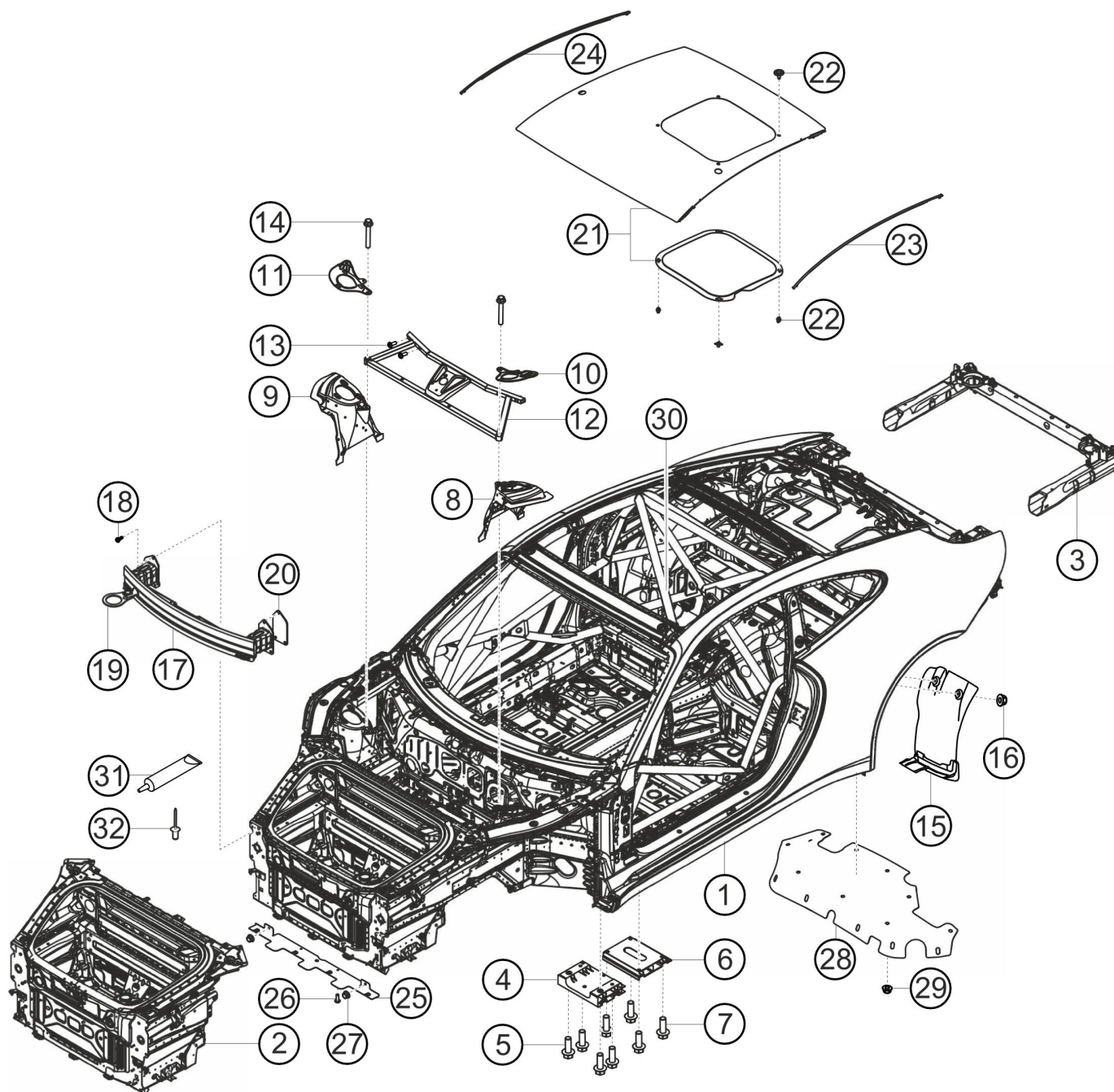
7.3 accelerator pedal



Item no.	Description	M	Pc.	Material
1	AS GAS PEDAL CUP	X	1	9914230198A
2	ROUND HEAD SCREW		1	N 10603901
3	PEDAL PLATE CUP	X	1	9914233198A
4	90024930902	X	2	90024930902
5	WASHER		2	90015100603
6	HEX. NUT M6 LN9338 1.7220.3	X	2	90081700102

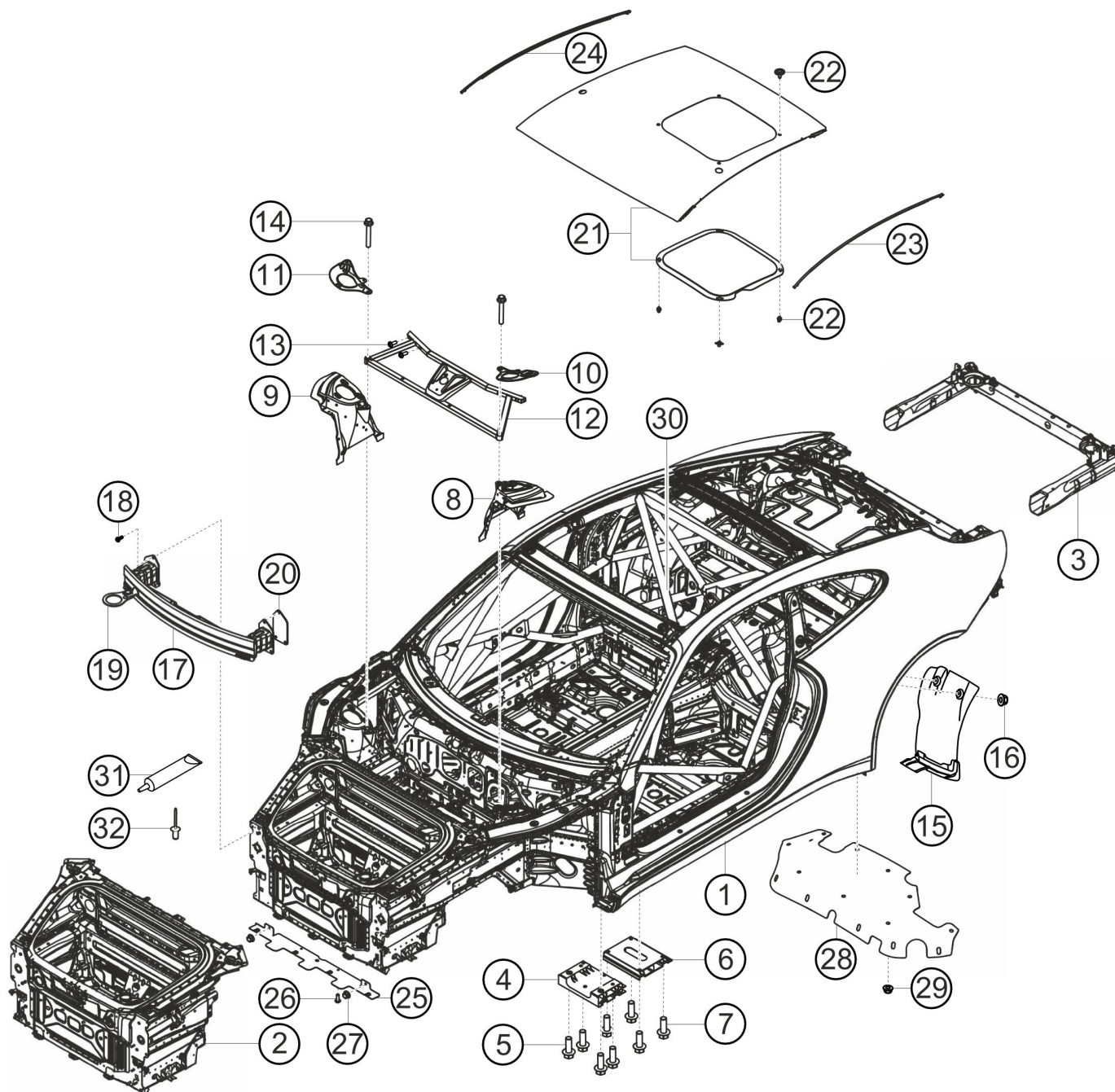
8 body

8.1 body in white



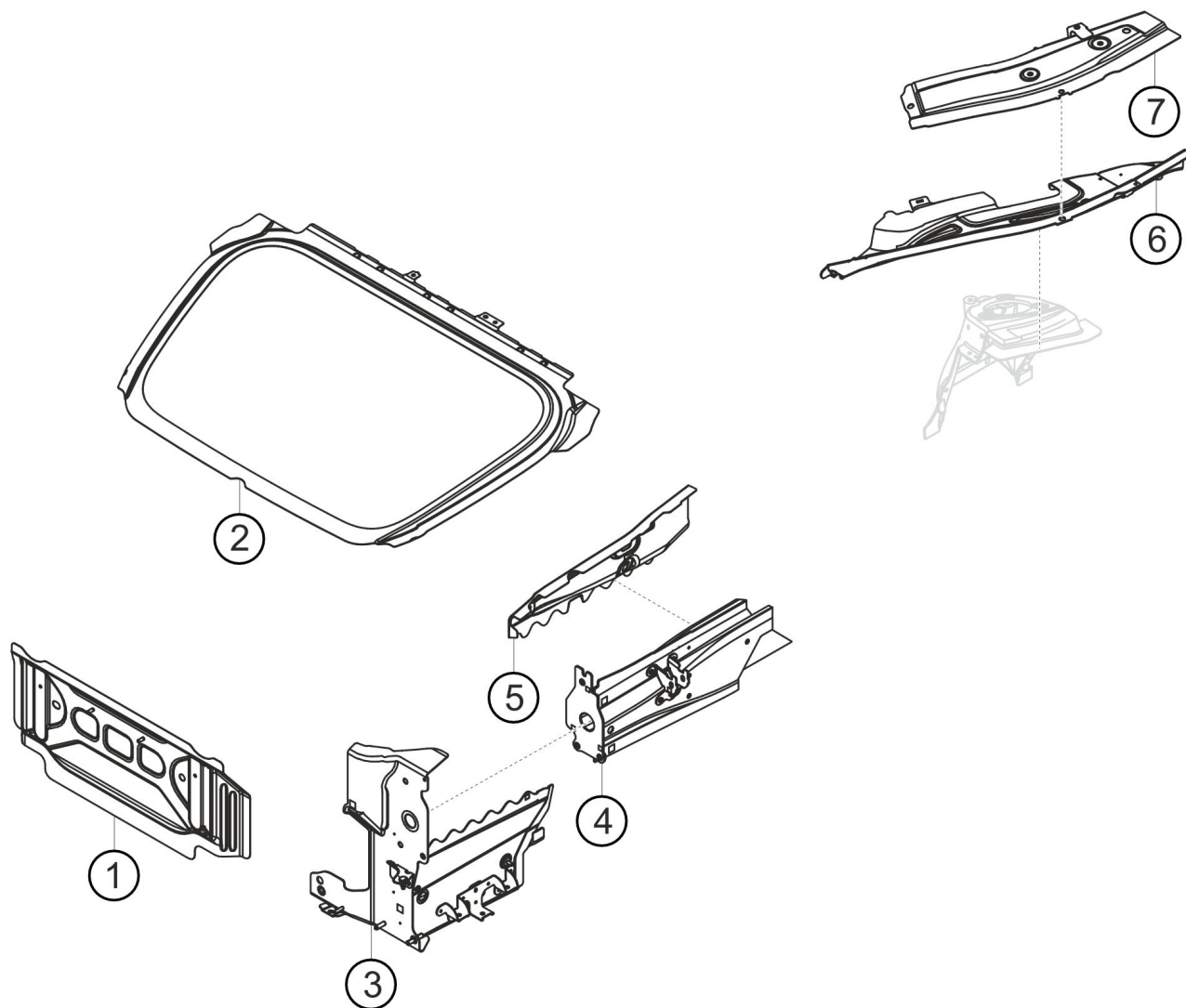
Item no.	Description	M	Pc.	Material
1	SPARE BODYSHELL	X	1	9915000058C
2	AS FRONT END CUP	X	1	9915019918A
3	FRAME		1	99150190301GRV
4	TRANSVERSE CONNECTORTUNNEL		1	99150482300
5	HEXAGON-HEAD BOLT AM10X70 EN1665 10.9 26B1		4	90037825501
6	AS TRANS.CONNECTOR TUNNEL, REAR		1	98150463300
7	HEXAGON-HEAD BOLT		4	99907206302
8	MOUNTING SPRING STRUT PRIME COATED LEFT		1	99150147700GRV
9	MOUNTING SPRING STRUT PRIME COATED RIGHT		1	99150147800GRV
10	AS PLATE STRUT MOUNT LEFT	X	1	9915042838A
11	AS PLATE STRUT MOUNT RIGHT	X	1	9915042848A
12	AS INSTALL.FRAME FRONT	X	1	9915045398A
13	SCREW FILL. HD.		4	99907332202
14	HEXAGON-HEAD BOLT AM8X50-U-WV60429 8.8-S14-L *		2	N 10572802
15	AS FENDER SHIELD LEFT	X	1	9915043058A
15	AS FENDER SHIELD RIGHT	X	1	9915043068A
16	PLASTIC NUT		6	99904903240
17	AS SUPPORT BUMPER,FRONT,CPL.	X	1	9915051218B
18	HEXAGON-HEAD BOLT M 8X30-PA EN1665 SC 12.9 26B1		6	90037835101
19	AS TOWING LUG FRONT	X	1	9917226938A
20	SEALING SHOCK ABSORBER		2	99750575102
21	AS ROOF	X	1	9915039878DC9A
22	SET,FASTENER ROOF	X	4	9915038038B

8.1 body in white



Item no.	Description	M	Pc.	Material
23	GASKET ROOF LEFT		1	99156690100
24	GASKET ROOF RIGHT		1	99156690200
25	COVERING	X	1	9915054318A
26	LENS-HD. SCREW		2	99907317300
27	HEXAGON NUT		2	N 10609204
28	INSULATION ENGINE BAY	X	1	9915567118A
29	HEXAGON NUT		14	99904903901
30	SET,BOLSTER SAFETY CAGE	X	1	9915803718A
31	Glue Scotch Weld DP 490	X	4	99991532340
32	POP RIVET 6,5x12,5		60	99919022701
32	POP RIVET 6,5x14,5		60	99919023001

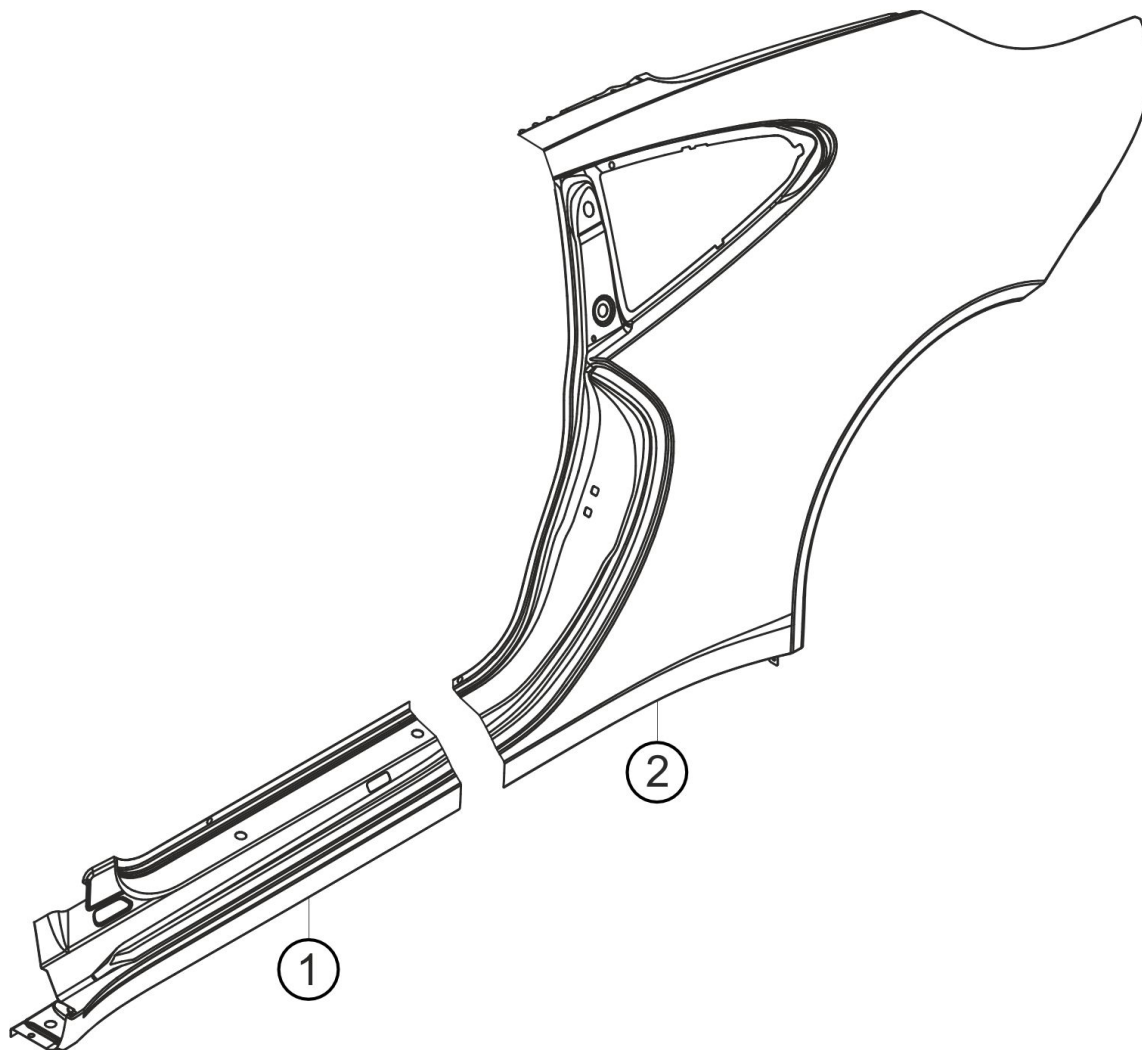
8.2 sheet metal parts front



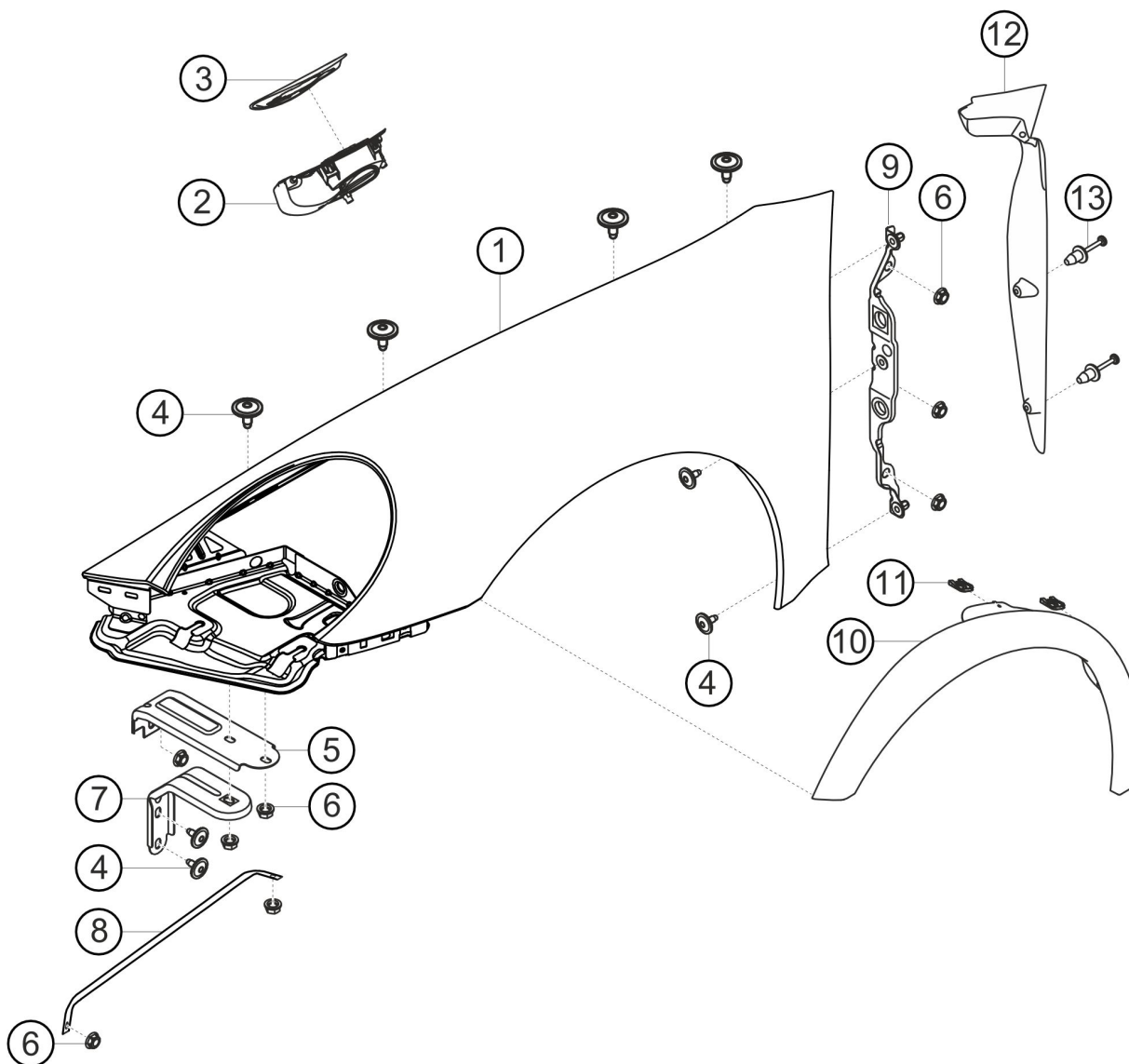
Item no.	Description	M	Pc.	Material
1	TERMINAL PIECE		1	99150143101GRV
2	SEALING FRAME		1	99150123102GRV
3	SIDE SECTION LEFT		1	99150191101GRV
3	SIDE SECTION RIGHT		1	99150191201GRV
4	BRACKET		1	99150191301GRV
4	BRACKET		1	99150191401GRV
5	WHEEL HOUSING		1	99150153501GRV
5	WHEEL HOUSING		1	99150153601GRV
6	SIDE MEMBER UPPER OUTER LEFT		1	99150138700GRV
6	SIDE MEMBER UPPER OUTER RIGHT		1	99150138800GRV
7	SIDE MEMBER UPPER LEFT PRIME COATED		1	99150139700GRV
7	SIDE MEMBER UPPER RIGHT PRIME COATED		1	99150139800GRV

8.3 sheet metal parts side

Item no.	Description	M	Pc.	Material
1	DOOR SILL LEFT COUPE PRIME COATED		1	99150396302GRV
1	DOOR SILL RIGHT COUPE PRIME COATED		1	99150396402GRV
2	SIDE SECTION OUTER LEFT COUPE		1	99150396102GRV
2	SIDE SECTION OUTER RIGHT COUPE		1	99150396202GRV

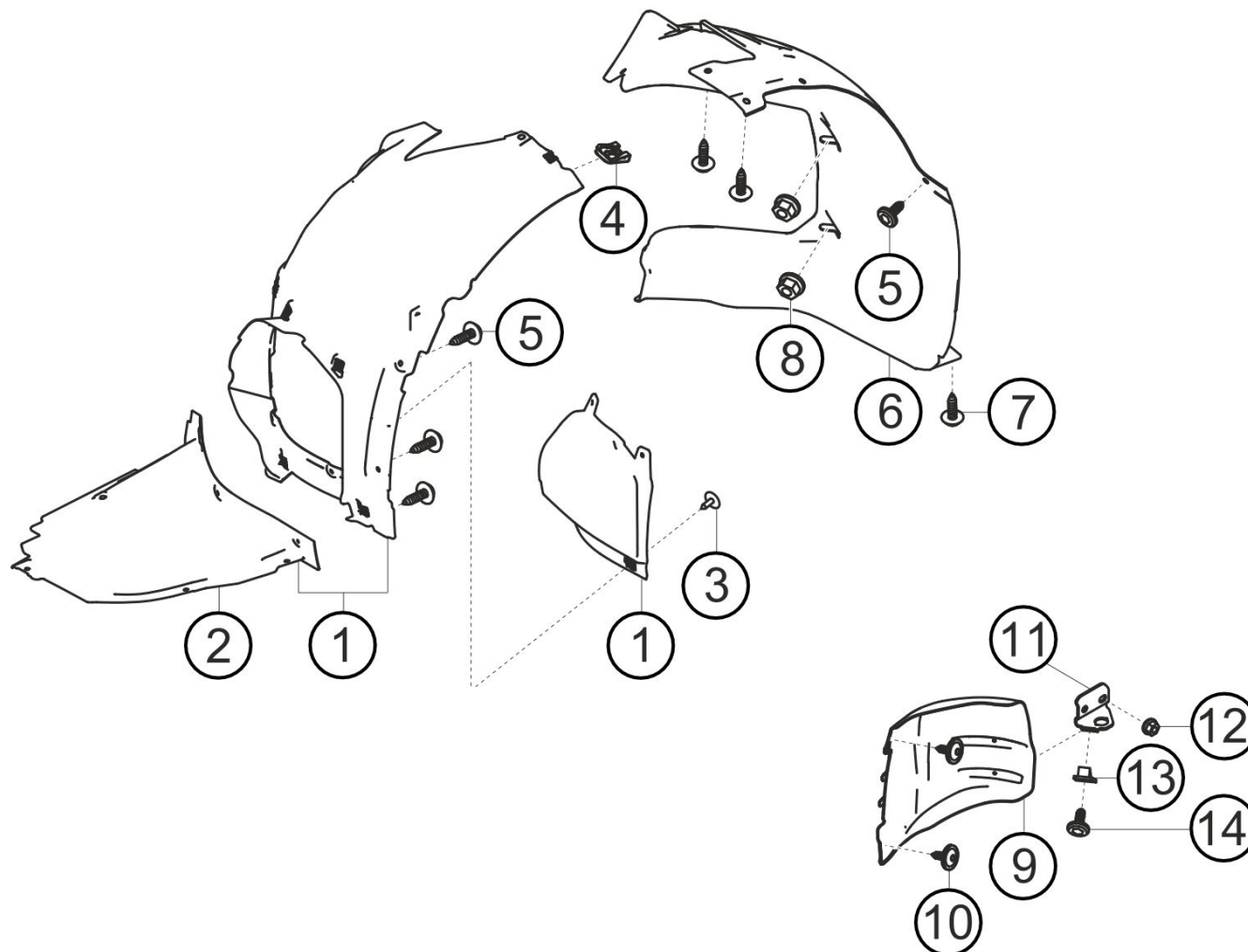


8.4 fender



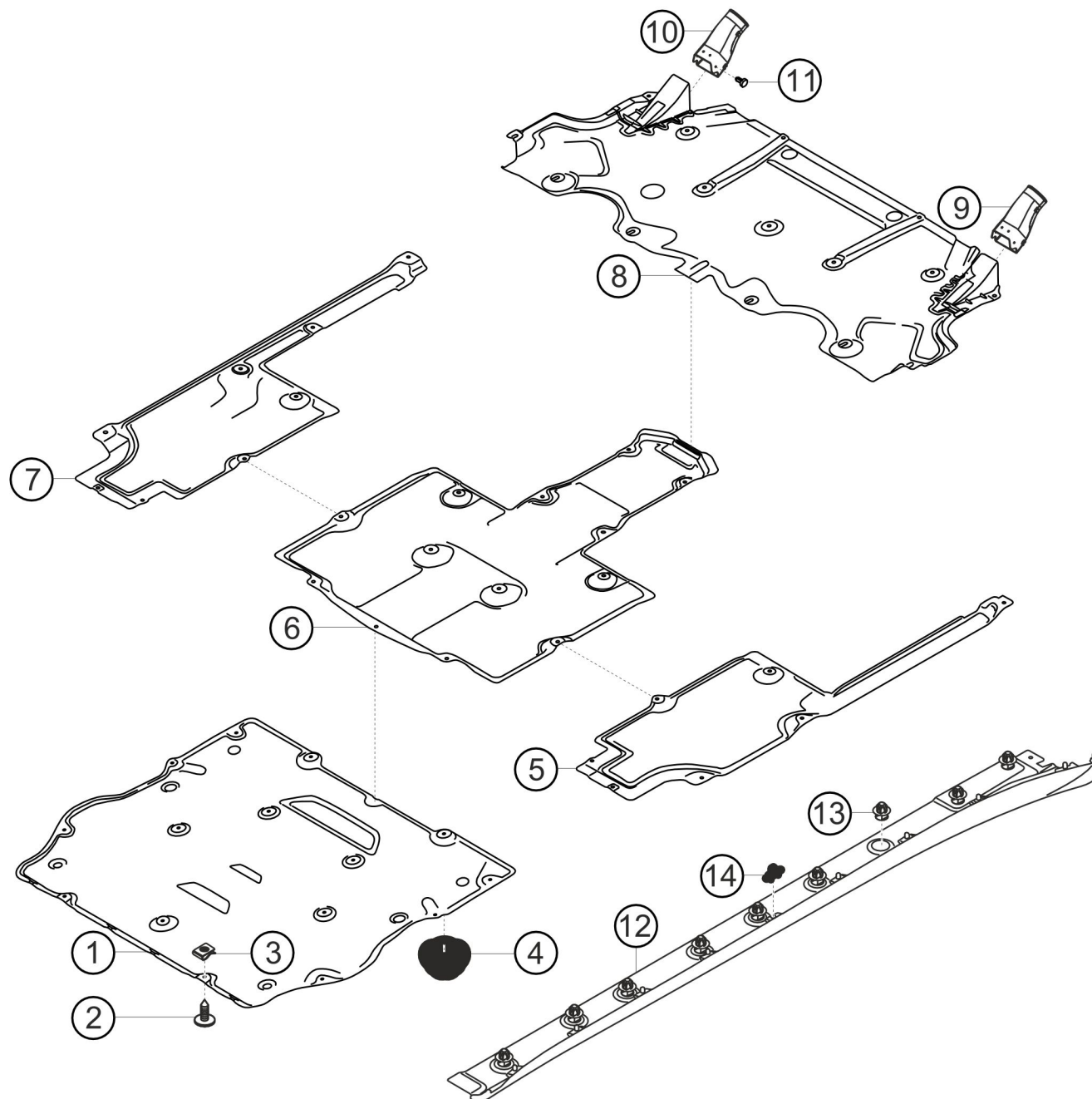
Item no.	Description	M	Pc.	Material
1	FENDER LH	X	1	9915039318AG2X
1	FENDER RH	X	1	9915039328CG2X
2	AS FUEL FILLER CUP		1	99150414203
3	FUEL FILLER FLAP PRIME COATED		1	99150303400GRV
4	OVAL-HEAD SCREW		11	N 91042301
5	SUPPORT HEADLAMP HOUSING LEFT		1	99150355700
5	SUPPORT HEADLAMP HOUSING RIGHT		1	99150355800
6	HEXAGON NUT		8	99907606609
7	CONSOLE HEADLAMP HOUSING		1	99150355500
8	BRACE HEADLAMP HOUSING		1	99150344101
9	AS HOLDER FENDER, CENTER LEFT	X	1	99150234700
9	AS HOLDER FENDER, CENTER RIGHT	X	1	99150234800
10	WHEEL COVER LEFT	X	1	9915034018AG2X
10	WHEEL COVER RIGHT	X	1	9915034028AG2X
11	SPEED NUT		4	99950730902
12	COVER A-PILLAR BLACK LEFT		1	991504641001E0
12	COVER A-PILLAR BLACK RIGHT		1	991504642001E0
13	RIVET		2	99959171240

8.5 wheel arch



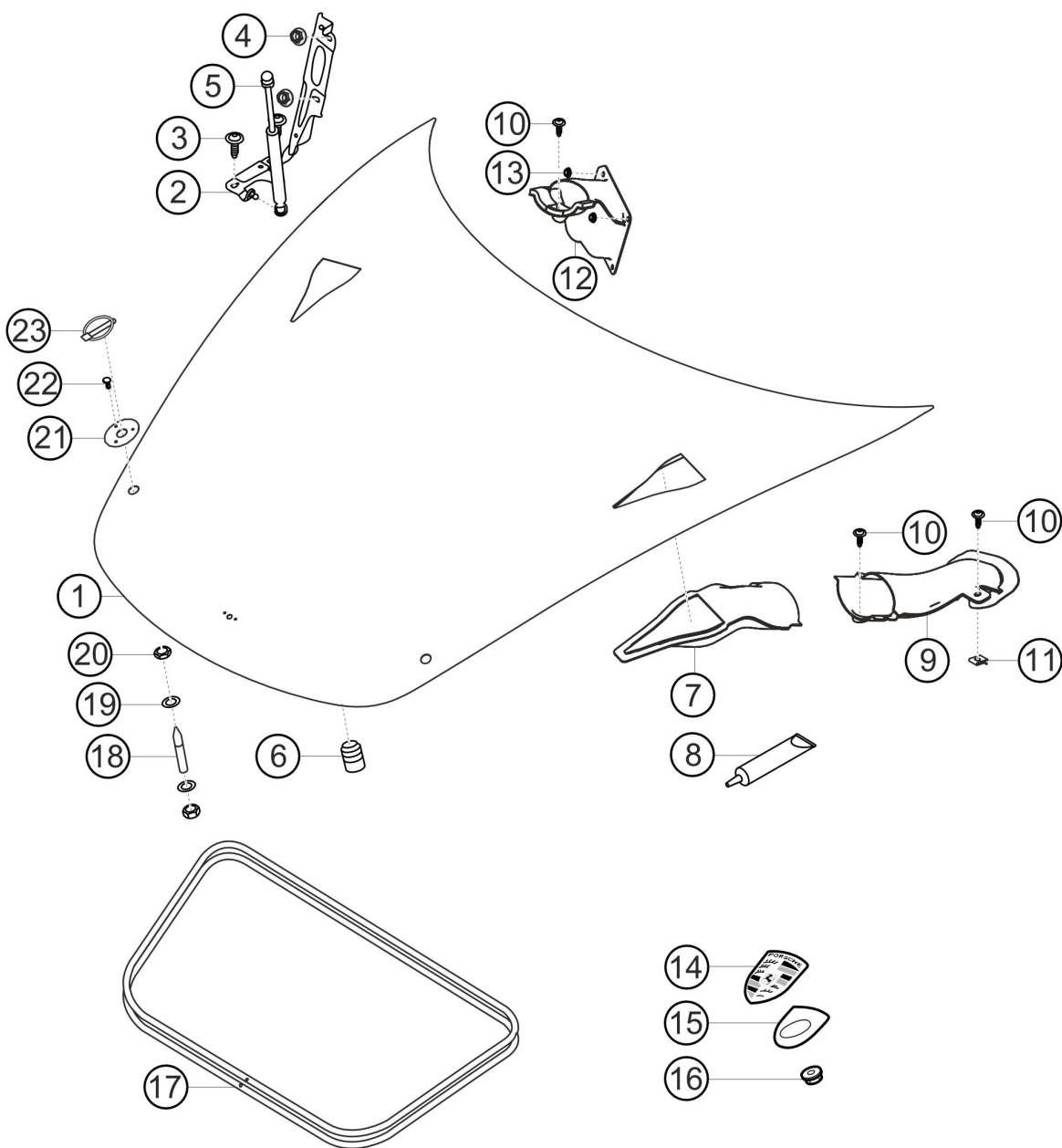
Item no.	Description	M	Pc.	Material
1	AS FENDER SHIELD LEFT	X	1	9915045018C
1	AS FENDER SHIELD LEFT	X	1	9915045028C
2	FENDER SHIELD LEFT	X	1	9915047538A
2	FENDER SHIELD RIGHT	X	1	9915047548A
3	TAPPING SCREW		4	99907323109
4	SPEED NUT		2	99950730902
5	TAPPING SCREW		8	99907350501
6	AS FENDER SHIELD LEFT	X	1	9915045038A
6	AS FENDER SHIELD RIGHT	X	1	9915045048A
7	TAPPING SCREW		1	99907322709
8	PLASTIC NUT		2	99904903240
9	AS AIR DEFLECTOR LEFT		1	99157513181
9	AS AIR DEFLECTOR RIGHT		1	99157513281
10	TAPPING SCREW		2	99907323109
11	HOLDER RIDE-HEIGHT LIFT,FA LEFT		1	99134185780
11	HOLDER RIDE-HEIGHT LIFT,FA RIGHT		1	99134185880
12	PLASTIC NUT		2	99904903340
13	SPEED NUT		1	99959185501
14	TAPPING SCREW		1	99907322809

8.6 underbody panelling



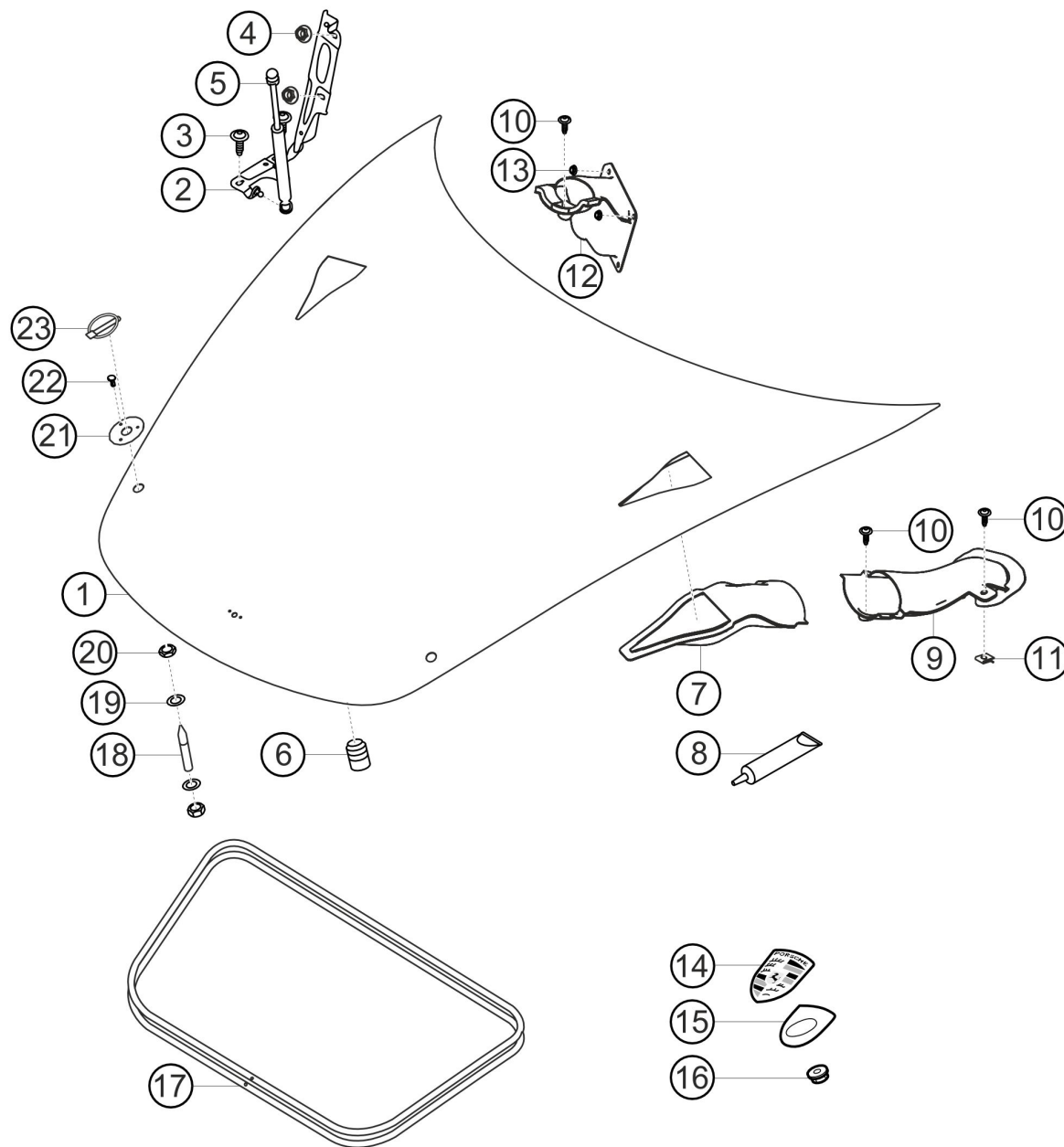
Item no.	Description	M	Pc.	Material
1	COVERING FRONT	X	1	9915046018A
2	TAPPING SCREW		11	99907350501
3	SPEED NUT		11	99950730902
4	PLASTIC NUT		26	99904903240
5	COVER CENTRE LEFT		1	99150460500
6	COVER CENTRE		1	99150460300
7	COVER CENTRE RIGHT		1	99150460600
8	AS COVERING REAR	X	1	9915046098A
9	BRAKE-AIR DUCT UNDERBODY LEFT	X	1	9915754298A
10	BRAKE-AIR DUCT UNDERBODY RIGHT	X	1	9915754308A
11	BLIND RIVET		8	99919030130
12	AS SILL COVER		1	991504595031E0
12	AS SILL COVER		1	991504596031E0
13	AS FASTENING SILL TRIM		9	98150459700
14	FIXING CLIP		9	99950798640

8.7 front cover



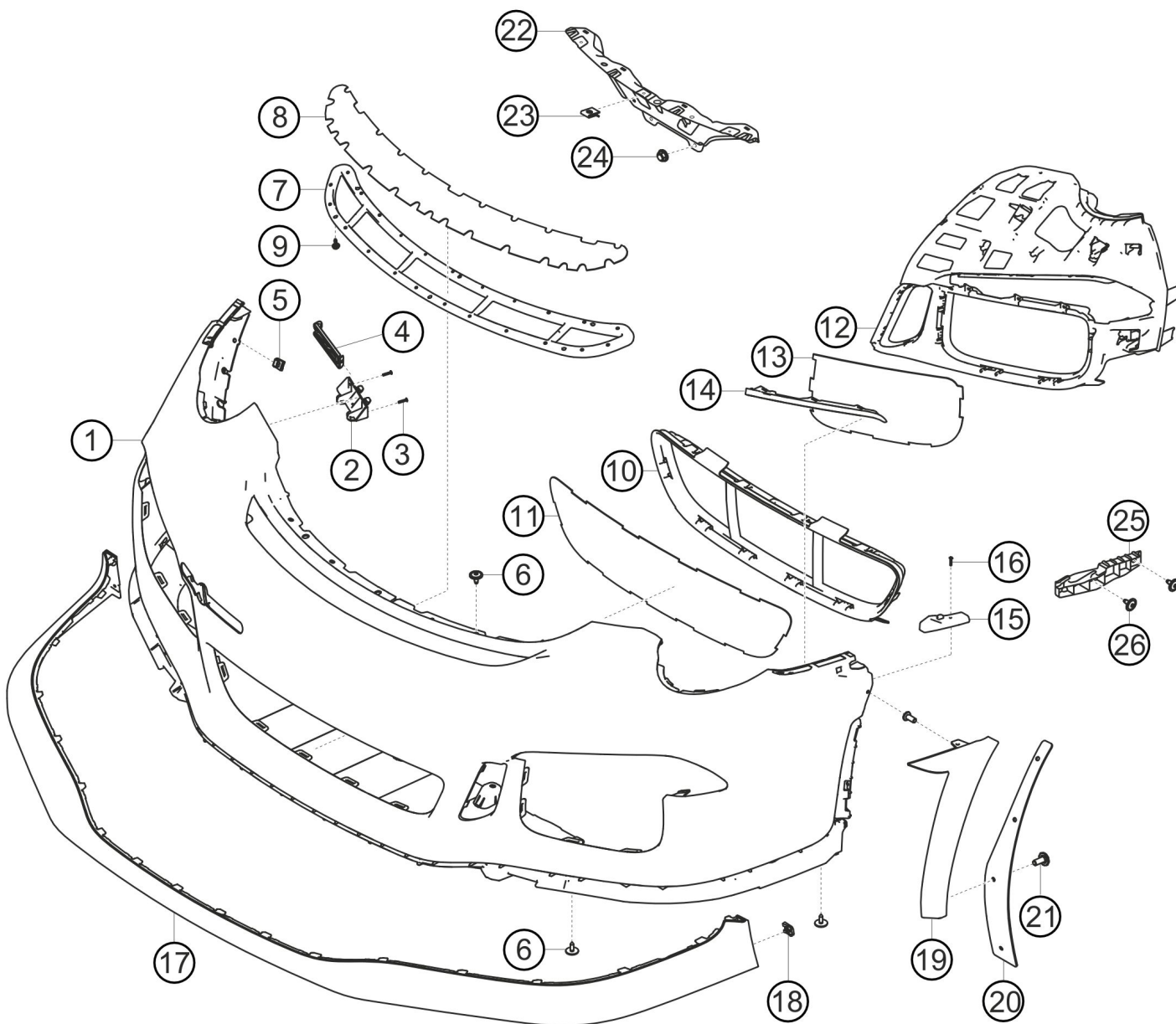
Item no.	Description	M	Pc.	Material
1	AS LID,BODYSHELL	X	1	9915119138AG2X
2	AS LID HINGE LEFT		1	99151115103
2	AS LID HINGE RIGHT		1	99151115203
3	OVAL-HEAD SCREW		4	N 91188302
4	NUT M6		4	99908422201
5	GAS-PRESSURE SPRING LID FRONT		2	99151155100
6	RUBBER BUFFER		2	99970314041
7	AIR ROUTING LH	X	2	9915755138C
8	ADHESIVE	X	1	9R650090410
9	AIR ROUTING VENTILATION	X	1	9915755458A
10	TAPPING SCREW		3	99907350501
11	SPEED NUT		2	99950730902
12	AIR ROUTING VENTILATION	X	1	9915755468A
13	PLASTIC NUT		2	99904903240
14	AS CREST		1	99155921100
15	PAD CREST		1	99155921502
16	SPEED NUT 3,0 * C67S/MASTIC		2	99959142303
17	GASKET LID FRONT		1	99151161103
18	HOOD SAF.CATCH STUD	X	2	99351154170
19	WASHER		4	90002500803
20	NUT M10 SW17 4035 04 C34G	X	4	90003400303
21	HOOD SAFE.CATCH DISK	X	2	99351154370
22	POP-RIVET 3,2X9,7		2	99919011430

8.7 front cover



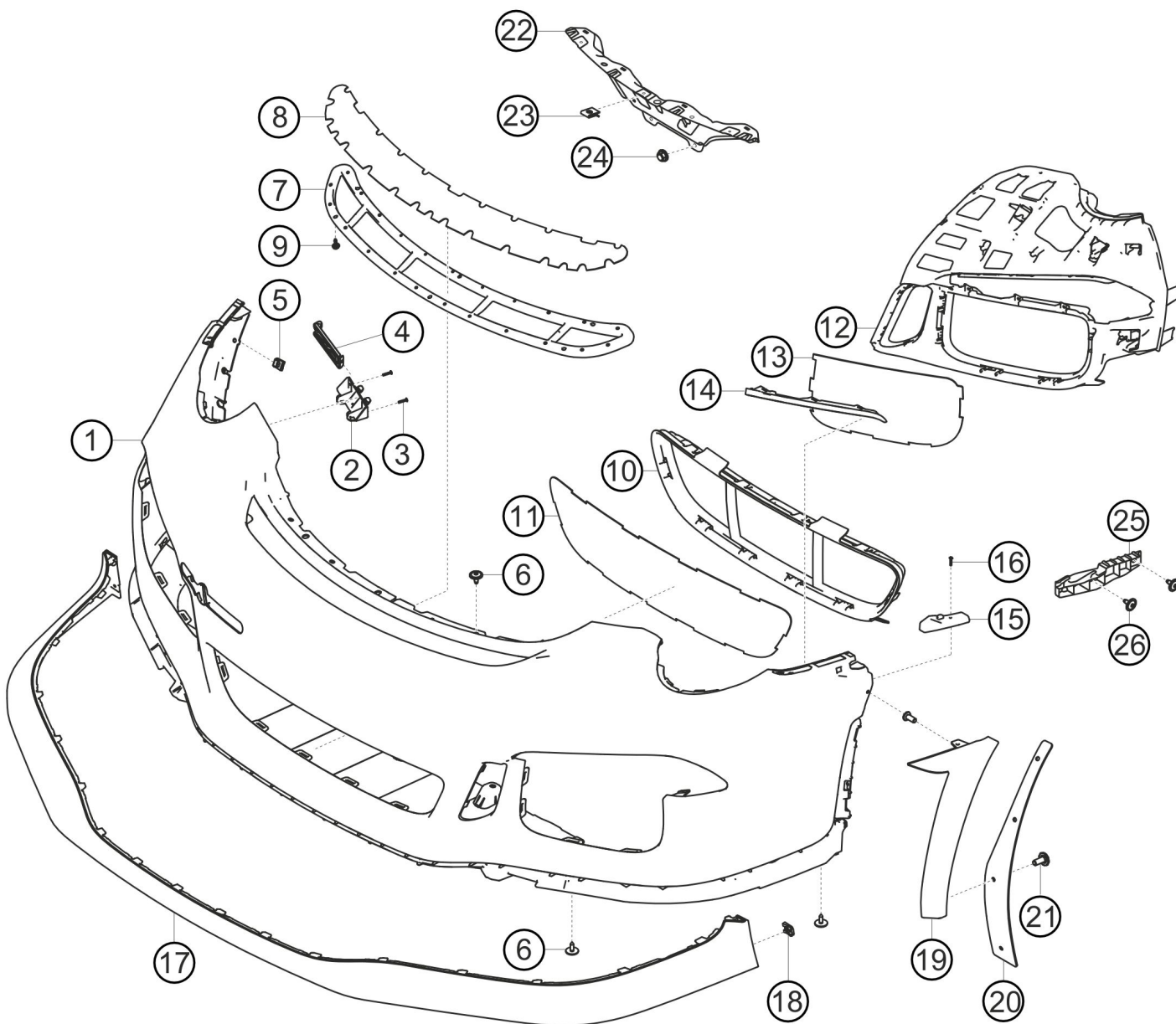
Item no.	Description	M	Pc.	Material
22	BLIND RIVETED BOLT A 3,2X6,0 D 7337 ALMG3/ST	X	4	N 0161852
23	SAFETY PIN	X	2	99351132170

8.8 front-end covering



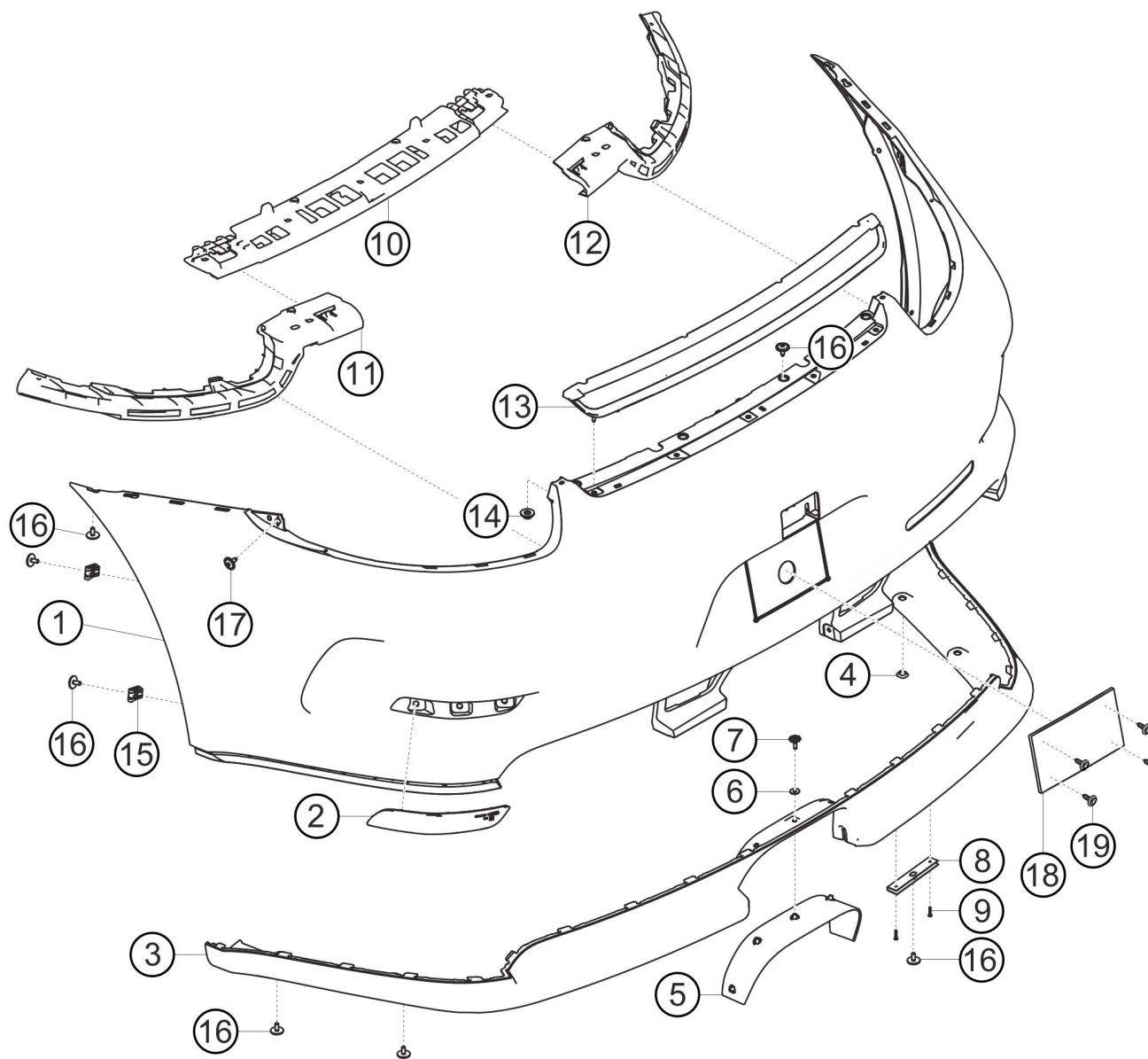
Item no.	Description	M	Pc.	Material
1	COVERING	X	1	9915053118CG2X
2	FIXING PLATE COVERING LEFT		1	99150531700
2	FIXING PLATE COVERING RIGHT		1	99150531800
3	BLIND RIVET		4	99919019130
4	FRONT END FIXING		2	99750571900
5	SPEED NUT		2	99950706703
6	TAPPING SCREW		12	99907322709
7	RETAINING FRAME		1	991505567901E0
8	GRATE AIR-OUTLET		1	99150571791
9	SCREW		23	99991926801
10	RETAINING FRAME		1	991505569901E0
11	GRATE AIR INLET		1	99150571191
12	RETAINING FRAME	X	1	9915055648A1E0
12	RETAINING FRAME LEFT		1	991505563901E0
13	GRATE AIR INLET LEFT		1	99150571391
13	GRATE AIR INLET RIGHT		1	99150571491
14	HIDER LEFT		1	991505715901E0
14	HIDER RIGHT		1	991505716901E0
15	CORNER PART COVERING,FRONT LEFT		1	99150557300
15	CORNER PART COVERING,FRONT RIGHT		1	99150557400
16	BLIND RIVET		4	99919019130
17	SPOILER LIP	X	1	9915055578A
18	SPEED NUT		2	99950730902

8.8 front-end covering



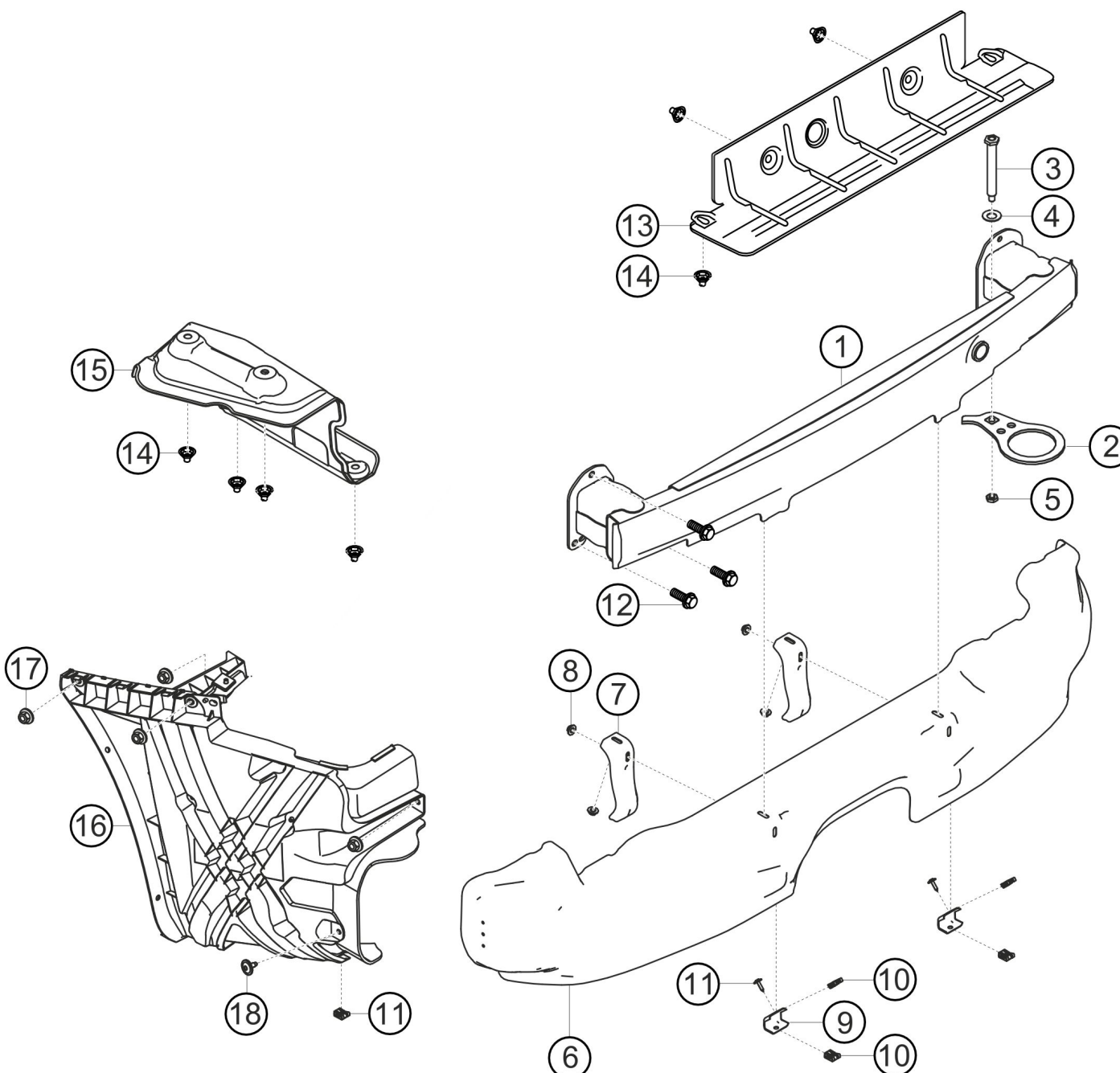
Item no.	Description	M	Pc.	Material
19	WHEEL COVER RIGHT	X	1	9915053668AG2X
19	WHEEL COVER LEFT	X	1	9915053658AG2X
20	SEPARATION EDGE	X	2	9915053558A
21	SCREW FILL. HD.		8	999073269A2
22	RETAINING STRIP FRONT		1	99150453301
23	SPEED NUT		3	99950730902
24	NUT M6		4	99908422201
25	RETAINING STRIP LATERAL RIGHT		1	99150553600
25	RETAINING STRIP LATERAL LEFT		1	99150553500
26	TAPPING SCREW		4	99907322709

8.9 rear-end covering



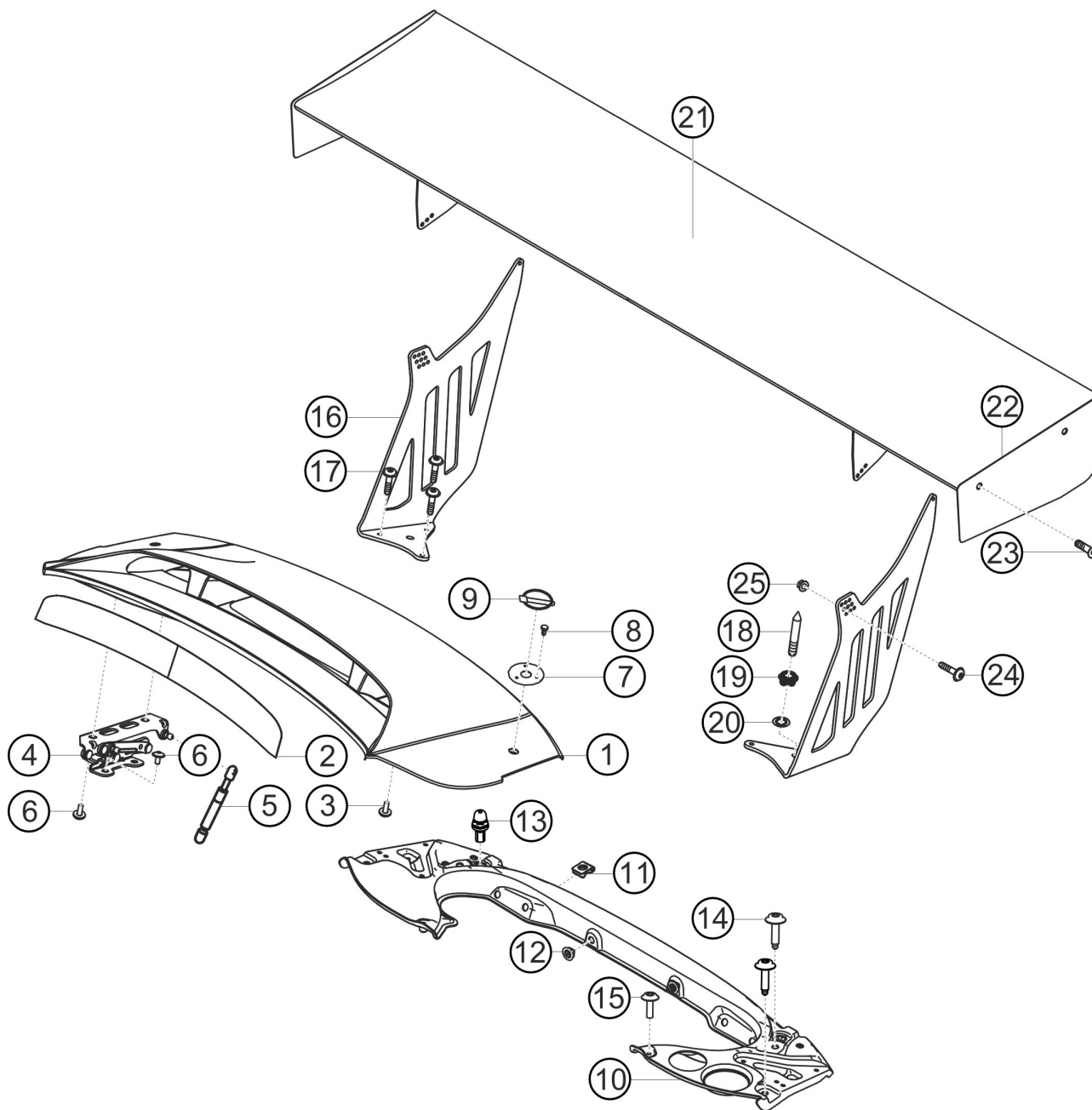
Item no.	Description	M	Pc.	Material
O.B.	LOGO CUP	X	1	9915592398A
O.B.	LOGO CUP	X	1	9915592378A
1	COVERING	X	1	9915054118CG2X
2	REFLECTOR LEFT		1	99163149580
2	REFLECTOR RIGHT		1	99163149680
3	COVERING		1	991505811901E0
4	REINFORCEMENT		8	99950718101
5	HIDER		1	991505651901E0
6	WASHER		5	90015102801
7	OVAL-HEAD SCREW		5	99991926401
8	SUPPORTING RAIL LOWER		2	99150583790
9	BLIND RIVET		4	99919019130
10	AS GRIP CHANNEL CENTER		1	99150581900
11	GRIP CHANNEL REAR LEFT		1	99150583506
12	GRIP CHANNEL REAR		1	99150583606
13	AS FRAME		1	991505871901E0
14	HEXAGON NUT		5	99907605601
15	SPEED NUT		4	99950730902
16	TAPPING SCREW		16	99907322709
17	SCREW FILL. HD.		2	99907313102
18	LIC.PLATE BRACKET	X	1	9917011158A
19	TAPPING SCREW		4	90014403407

8.10 rear heat protection



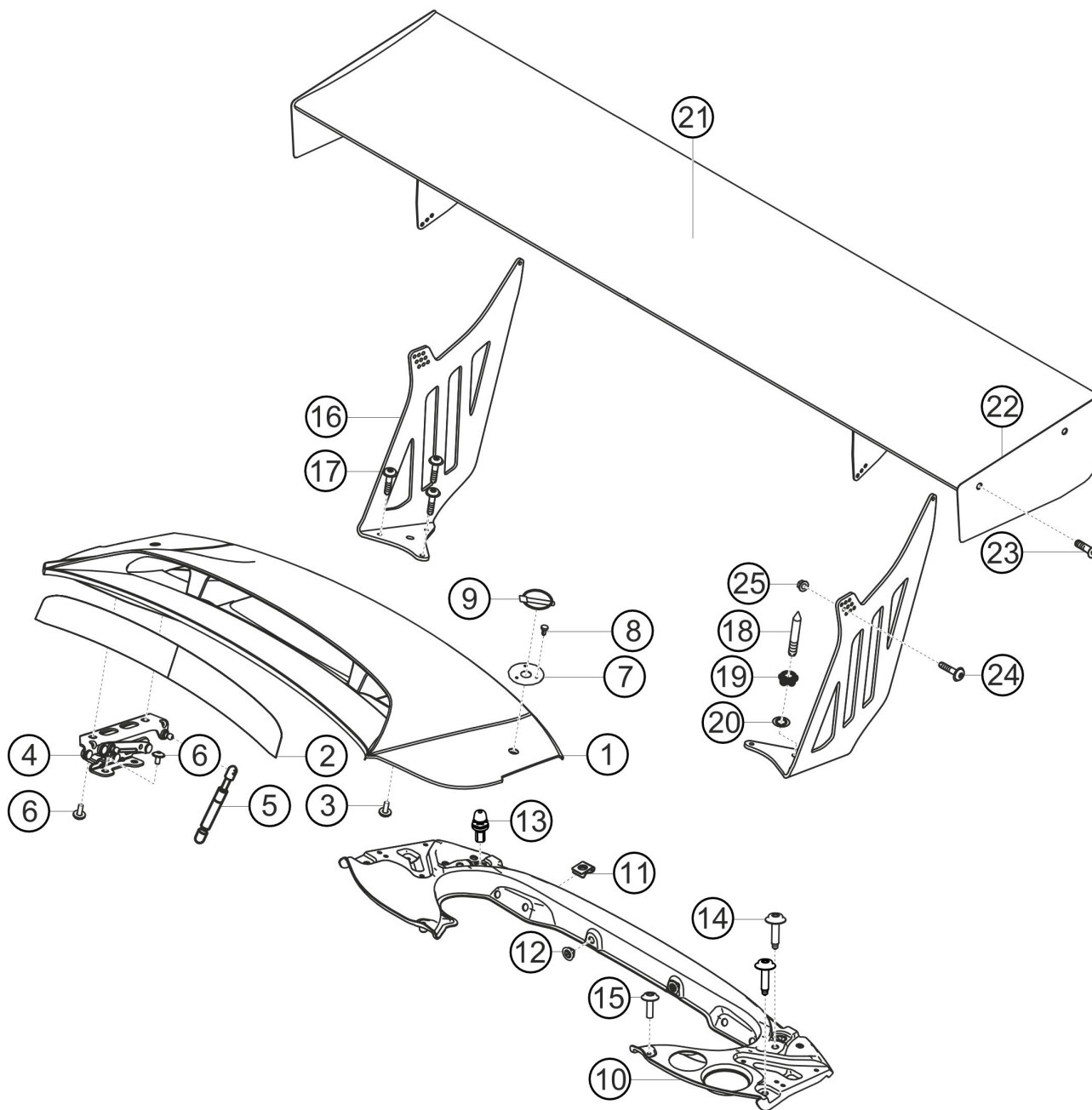
Item no.	Description	M	Pc.	Material
1	AS SUPPORT BUMPER,REAR,CPL.	X	1	9915051418A
2	TOWING LUG REAR	X	1	9917226958A
3	COLLAR SCREW TOWING LUG	X	1	9917226978A
4	DISC SPRING	X	1	9915056718A
5	NUT M10 SW17 4035 04 C34G	X	1	90003400303
6	AS HEAT SHIELD	X	1	9915054758A
7	REAR SUPPORT		2	99150563900
8	HEXAGON NUT		4	99907609101
9	CONNECTION BRACKET		2	99150564990
10	SPEED NUT		6	99950730902
11	TAPPING SCREW		2	99907341801
12	HEXAGON-HEAD BOLT M 8X30-PA EN1665 SC 12.9 26B1		6	90037835101
13	HEAT PROTECTION CENTRE UPPER		1	99150547100
14	HEXAGON NUT		12	99904903901
15	HEAT SHIELD INNER,RAIL 3 LEFT		1	99150547790
15	HEAT SHIELD INNER,RAIL 3 RIGHT		1	99150547890
16	AS HOLDER LATERAL LEFT	X	1	9915056318A
16	AS HOLDER LATERAL RIGHT	X	1	9915056328A
17	HEXAGON NUT		10	99907604201
18	TAPPING SCREW		2	99907322709

8.11 rear cover and wing



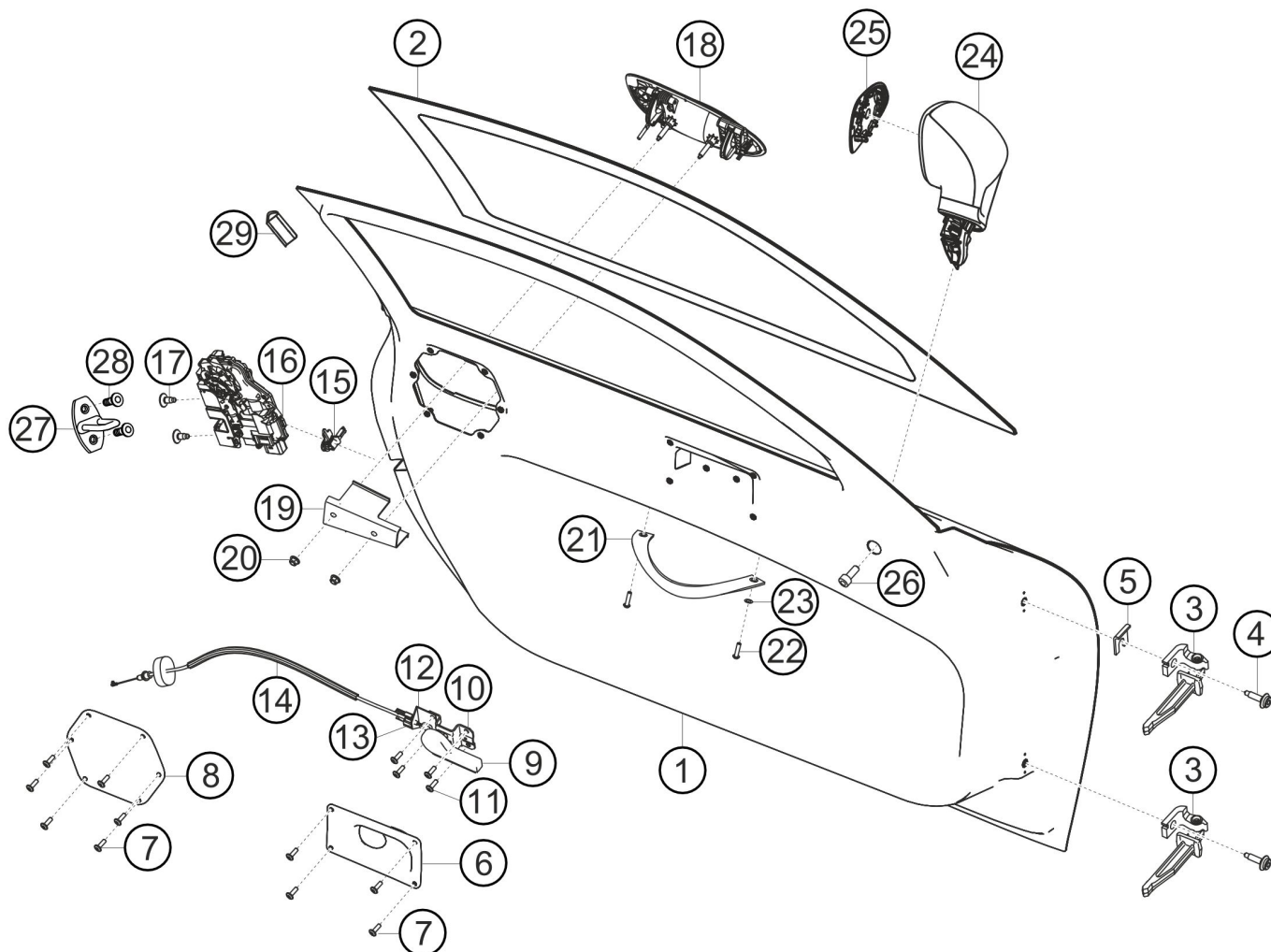
Item no.	Description	M	Pc.	Material
1	AS LID	X	1	9915122258AG2X
2	PROTECTING GRILLE	X	1	9915123258A
3	LENS-HD. SCREW		2	99907317300
4	AS HINGE LID,REAR LEFT		1	99151215180
4	AS HINGE LID,REAR RIGHT		1	99151215280
5	GAS-PRESSURE SPRING LID REAR		2	99151255100
6	OUTER HEXAGON ROUND SCREW		8	N 91188301
7	HOOD SAFE.CATCH DISK	X	2	99351154370
8	BLIND RIVETED BOLT A 3,2X6,0 D 7337 ALMG3/ST	X	4	N 0161852
8	POP-RIVET 3,2X9,7		2	99919011430
9	SAFETY PIN	X	2	99351132170
10	AS INSTALL.FRAME	X	1	9915042218B
11	SPEED NUT		4	99950730902
12	GROMMET	X	2	1T0805673A
13	AS ADJUSTING ELEMENTREAR LID		2	99651298700
14	SCREW M8x45 10.9	X	4	99907334709
15	OVAL-HEAD SCREW		2	99907336602
16	WING SUPPORT LH	X	1	9915126818A
16	WING SUPPORT RH	X	1	9915126828A
17	SCREW FILL. HD.		6	99907332202
18	BOLT QUICK FASTENER	X	2	9915115618A
19	NUT M10 SW17 4035 04 C34G	X	2	90003400303
20	WASHER		2	90002500803

8.11 rear cover and wing



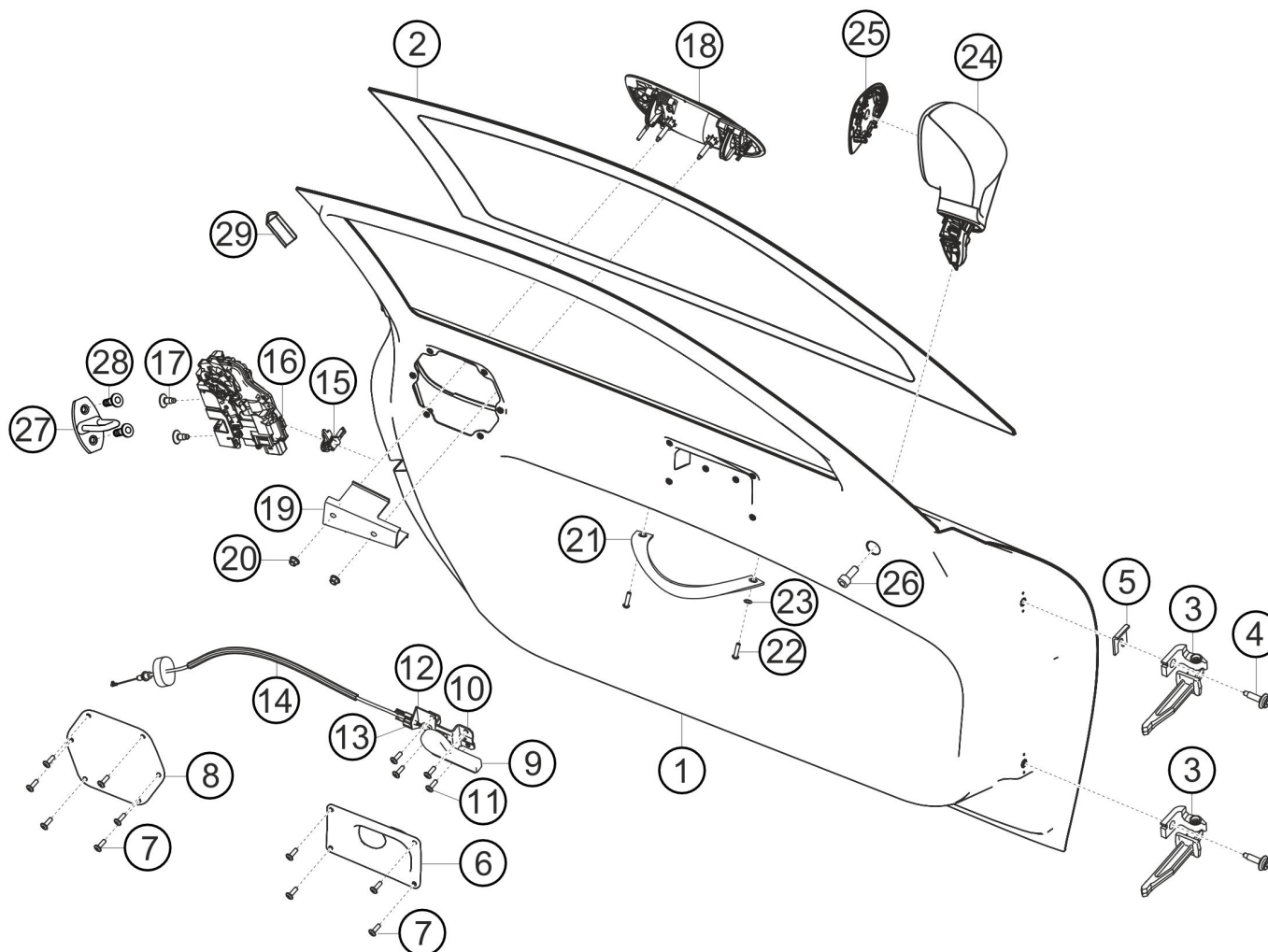
Item no.	Description	M	Pc.	Material
21	AS REAR WING	X	1	9915128928A
22	SIDE PLATE REAR WING LEFT	X	1	99751296391
22	SIDE PLATE REAR WING RIGHT	X	1	99751296491
23	COUNTERSUNK SCREW M5x16 D 7991 8.8 C350	X	4	90024902502
24	SCREW FILL. HD.		4	99907332202
25	HEXAGON NUT		4	99908462901

8.12 doors



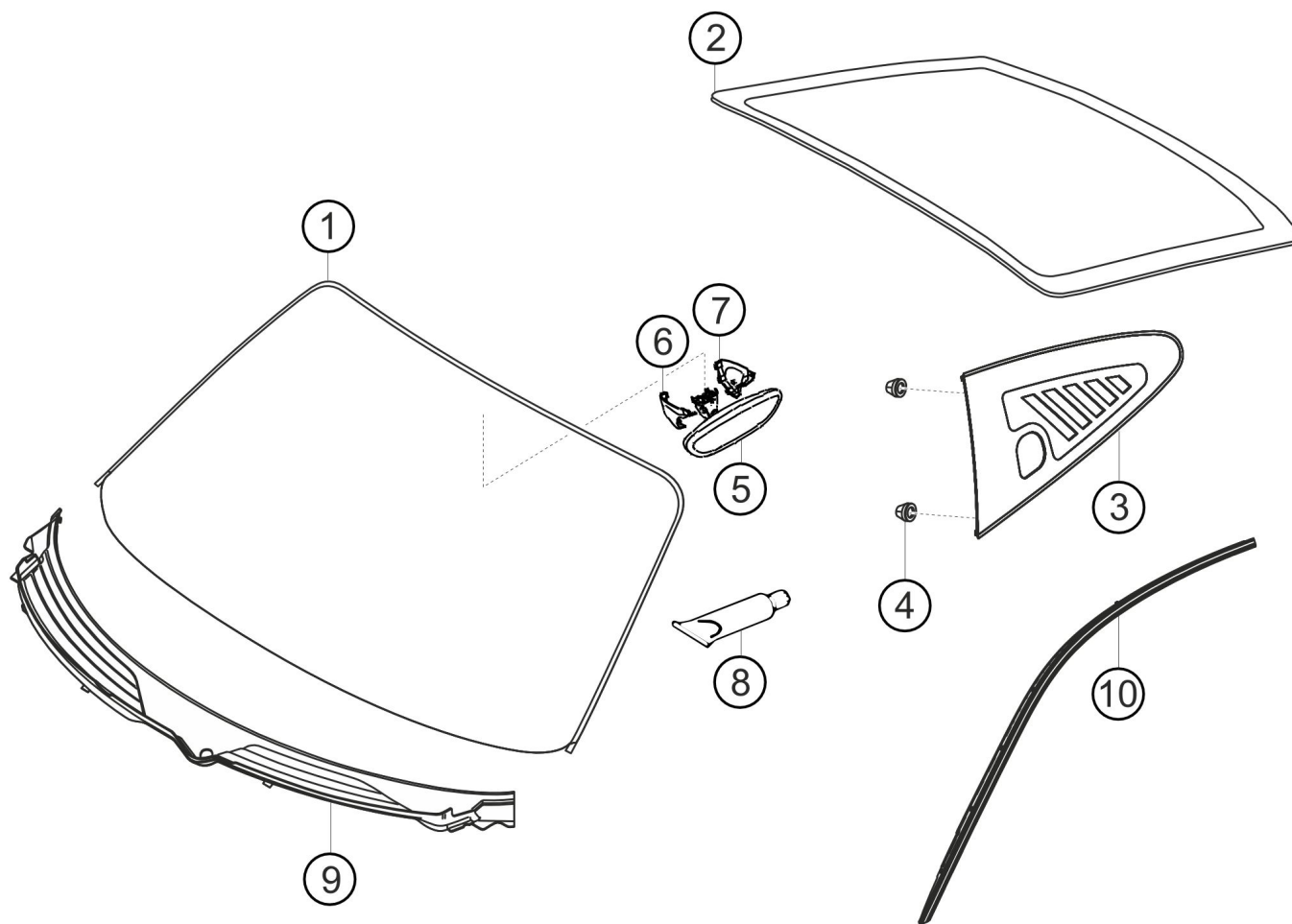
Item no.	Description	M	Pc.	Material
1	AS DOOR ELEMENT RIGHT	X	1	9915312128A
1	AS DOOR ELEMENT LEFT	X	1	9915312118A
2	DOOR GLASS FRONT	X	1	9915425128C
2	DOOR GLASS FRONT	X	1	9915425118C
3	HINGE LEFT		2	99153131900
3	HINGE RIGHT		2	99153132000
4	SREW M10x33-DUO 10.9	X	2	99907206801
5	ADJUSTING DISK DOOR HINGE 1 MM	X	1	9915317238A
5	ADJUSTING DISK DOOR HINGE 0,5 MM	X	1	9915317238B
6	HIDER DOOR HANDLE, INNER LEFT	X	1	9915375638A
6	HIDER DOOR HANDLE, INNER RIGHT	X	1	9915375648A
7	SCREW FILL. HD.		10	999073268A2
8	LID DOOR LOCK LEFT	X	1	9915375618A
8	LID DOOR LOCK RIGHT	X	1	9915375628A
9	ASH TRAY HANDLE RIGHT		1	9445372260001C
9	HANDLE LEFT		1	9445372250001C
10	BOWDEN CONTROL RIGHT	X	1	9965370309A
10	BOWDEN CONTROL LEFT	X	1	9965370299A
11	SCREW FILL. HD.		4	999073268A2
12	ABUTMENT BOWDEN CABLE	X	1	99653716191
13	CLAMPING WASHER		1	99959194603
14	AS BOWDEN CABLE DOOR LOCK		1	99753731901
15	AS CONNECTING PIECE		1	99753744503

8.12 doors



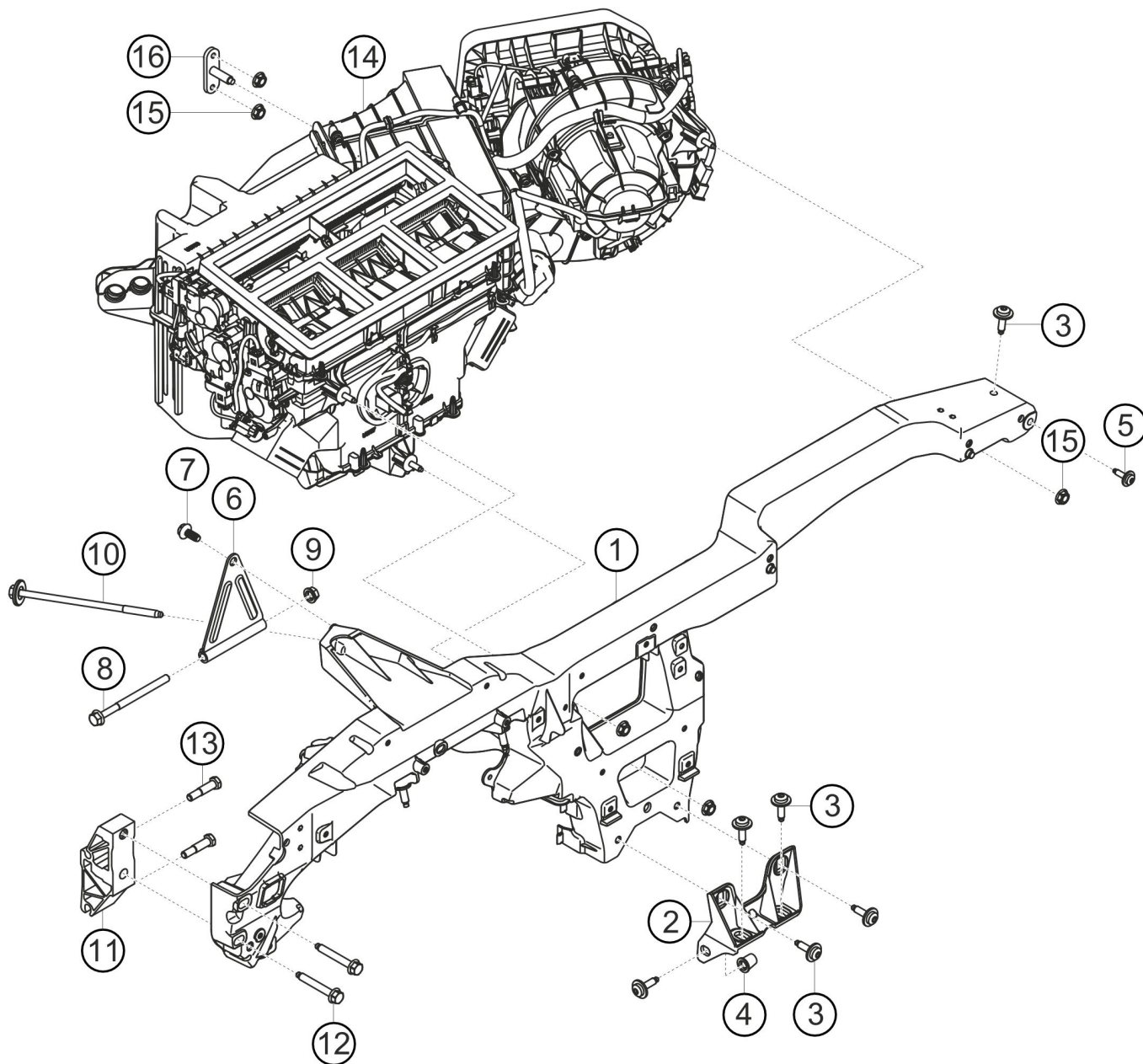
Item no.	Description	M	Pc.	Material
16	AS DOOR LOCK LEFT		1	3D1837015
16	AS DOOR LOCK RIGHT		1	3D1837016
17	SCREW		2	WHT000439
18	AS DOOR HANDLE, OUTER LEFT	X	1	99753706191C9A
18	AS DOOR HANDLE, OUTER RIGHT	X	1	99753706291C9A
19	HOLDER W/O LOCK CYLINDER LEFT	X	1	99753706390
19	HOLDER W/O LOCK CYLINDER RIGHT	X	1	99753706490
20	HEXAGON NUT		2	99908462901
21	DOOR OPENER		1	96455583200N13
22	SCREW FILL. HD.		2	999073268A2
23	O-RING 4,00x1,5 N	X	2	99970184940
24	AS EXTERIOR MIRROR WHITE RIGHT	X	1	9917310208AC9A
24	AS EXTERIOR MIRROR WHITE LEFT	X	1	9917310198AC9A
25	MIRROR GLASS CONVEX		1	99173104803
25	MIRROR GLASS FLAT		1	99173104502
26	PAN-HEAD SCREW		1	99907319201
27	Z LOCKING CATCH STRIKER		1	3C0837767A
28	SCREW, CSK.-HEAD		2	N 91017401
29	SEALING DOOR	X	1	9975371759B

8.13 windows



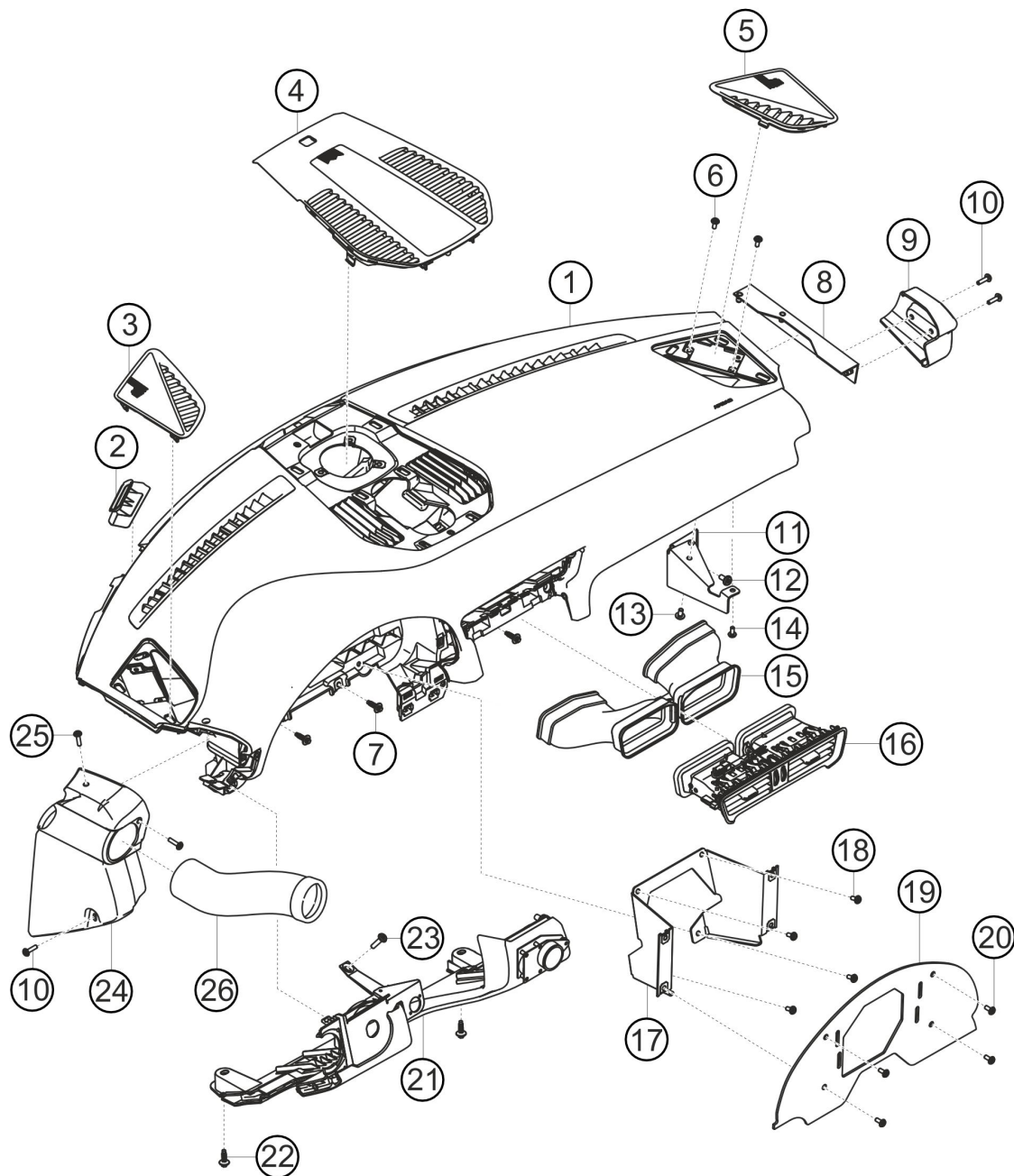
Item no.	Description	M	Pc.	Material
1	WINDSCREEN COUPE TINTED		1	99154191100
2	AS BACKLITE	X	1	9915451118A
3	AS REAR SIDE WINDOW	X	1	9915435118E
3	AS REAR SIDE WINDOW	X	1	9915435128E
4	UNIBAL	X	3	99950730540
5	INTERIOR MIRROR BLACK		1	991731511011E0
6	COVER INTERIOR MIRROR MIRROR BASE BLACK LEFT		1	991731811011E0
7	COVER INTERIOR MIRROR MIRROR BASE BLACK RIGHT		1	991731812011E0
8	ADHESIVE SET WINDOW GLAZING		1	00004330319
9	COVERING	X	1	9915555638B1E0
10	AS TRIM STRIP LEFT	X	1	9915374818A03C
10	AS TRIM STRIP RIGHT	X	1	9915374828A03C

8.14 support frame + blower



Item no.	Description	M	Pc.	Material
1	AS SUPPORTING FRAME	X	1	9915040638C
2	HOLDER TUNNEL		1	99150461500
3	HEXAGON-HEAD BOLT		5	99914301401
4	BL-NT-MU M 8/0,5-3,0	X	1	99950016401
5	COMBINATION SCREW		1	99907346701
6	SUPPORT STEERING COLUMN		1	99150465301
7	HEXAGON-HEAD BOLT M 8GFX21,5 10.9 Y 26C1*		1	99914301301
8	HEXAGON-HEAD BOLT BM8X110X80		1	N 10636601
9	HEXAGON NUT M8		1	99908463001
10	COMBINATION SCREW		1	99907358701
11	HOLDER A-PILLAR	X	1	99150460702
12	BOLT HEX-HD.		2	90037805602
13	FIT BOLT		2	90091900901
14	AS HEATER/AC	X	1	9915730118C
15	HEXAGON NUT		7	90037701809
16	SUPPORT AIR CONDITIONER		2	99157248100

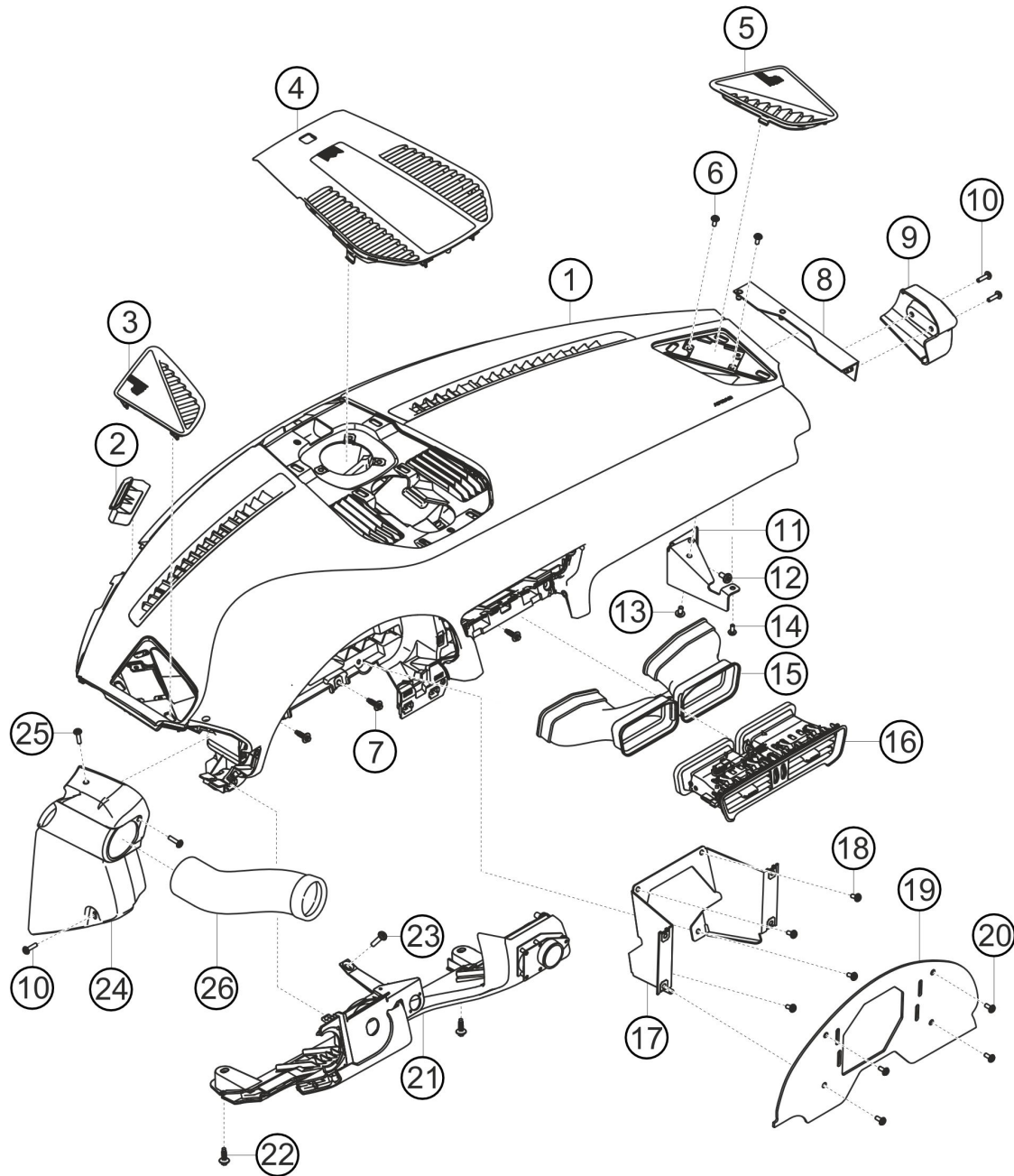
8.15 instrument board



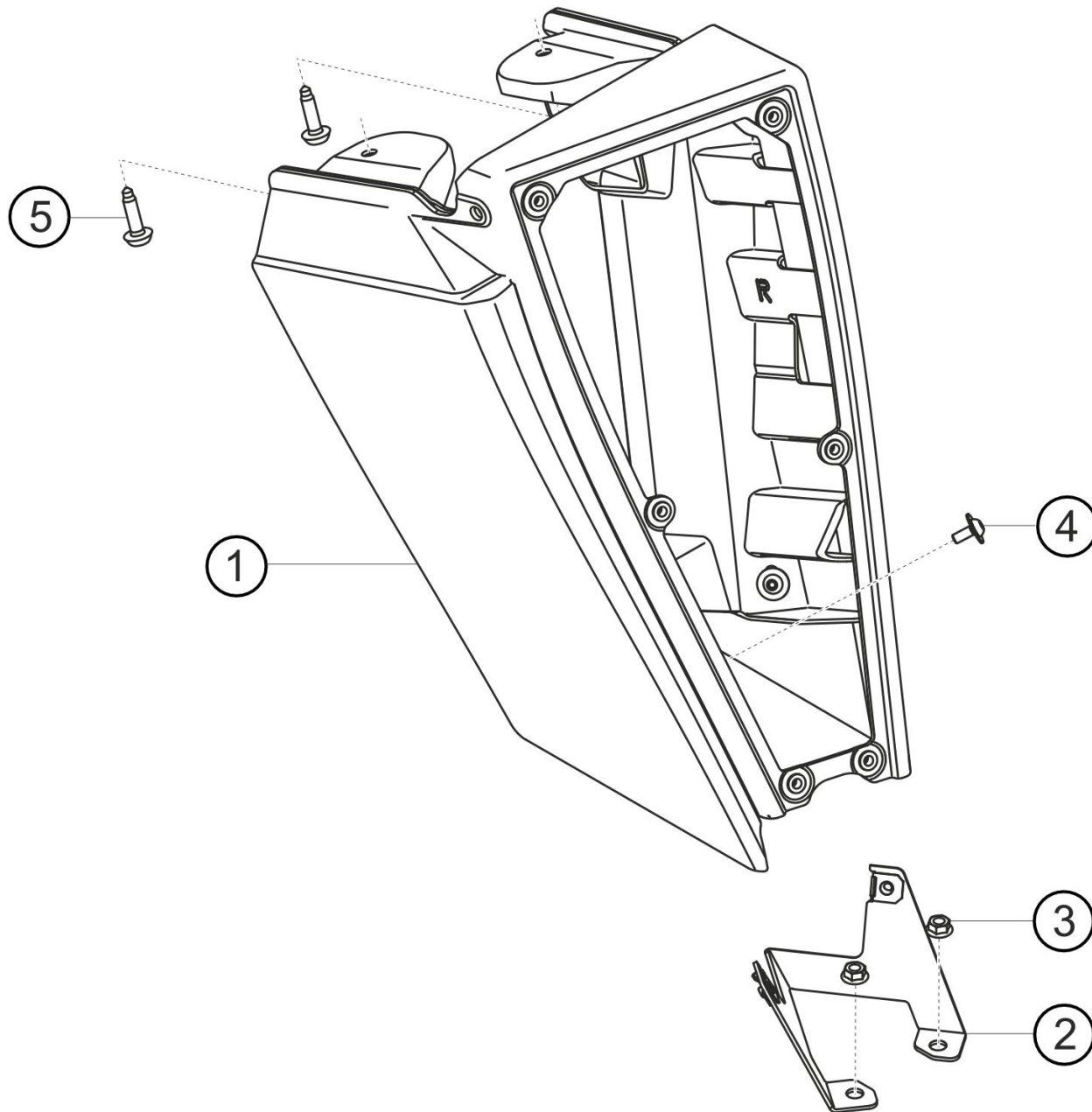
Item no.	Description	M	Pc.	Material
1	AS DASHBOARD SUPPORT	X	1	9915521018A
2	HOLDER VEHICLE ID-NUMBER		1	99155257100
3	LOUDSPEAKER GRILLE LEFT BLACK		1	991552575005Q0
4	COVER CENTRE BLACK		1	991552151005Q0
5	LOUDSPEAKER GRILLE RIGHT BLACK		1	991552576005Q0
6	SCREW FILL. HD.		2	99907326809
7	OUTER HEXAGON ROUND SCREW		3	99991927801
8	HOLDER RH	X	1	9915526308A
9	CLOSING PART DASHBOARD RIGHT	X	1	9915524068A
10	SCREW FILL. HD.		4	99907326809
11	HOLDER DASHBOARD	X	1	9915526228A
12	OUTER HEXAGON ROUND SCREW		1	99991927801
13	LENS-HD. SCREW		1	99901502509
14	SCREW FILL. HD.		1	99907326809
15	AIR DUCT CENTRE		1	99157276901
16	CENTRE NOZZLE GALVANO SILVER		1	99155214100DAP
17	HOLDER FIXING PLATE	X	1	9915525778A
18	SCREW FILL. HD.		4	99907326809
19	FIXING PLATE INSTRUMENTS	X	1	9915523338A
20	SCREW FILL. HD.		4	99907326809
21	AS DASHBOARD LOWER PART	X	1	9915522018A
22	OUTER HEXAGON ROUND SCREW		2	99991927801
23	OVAL-HEAD SCREW		1	99907349801

8.15 instrument board

Item no.	Description	M	Pc.	Material
24	CLOSING PART DASHBOARD LEFT	X	1	9915524058A
25	OVAL-HEAD SCREW		1	99907349801
26	AS HOSE VENT	X	1	9915727918A

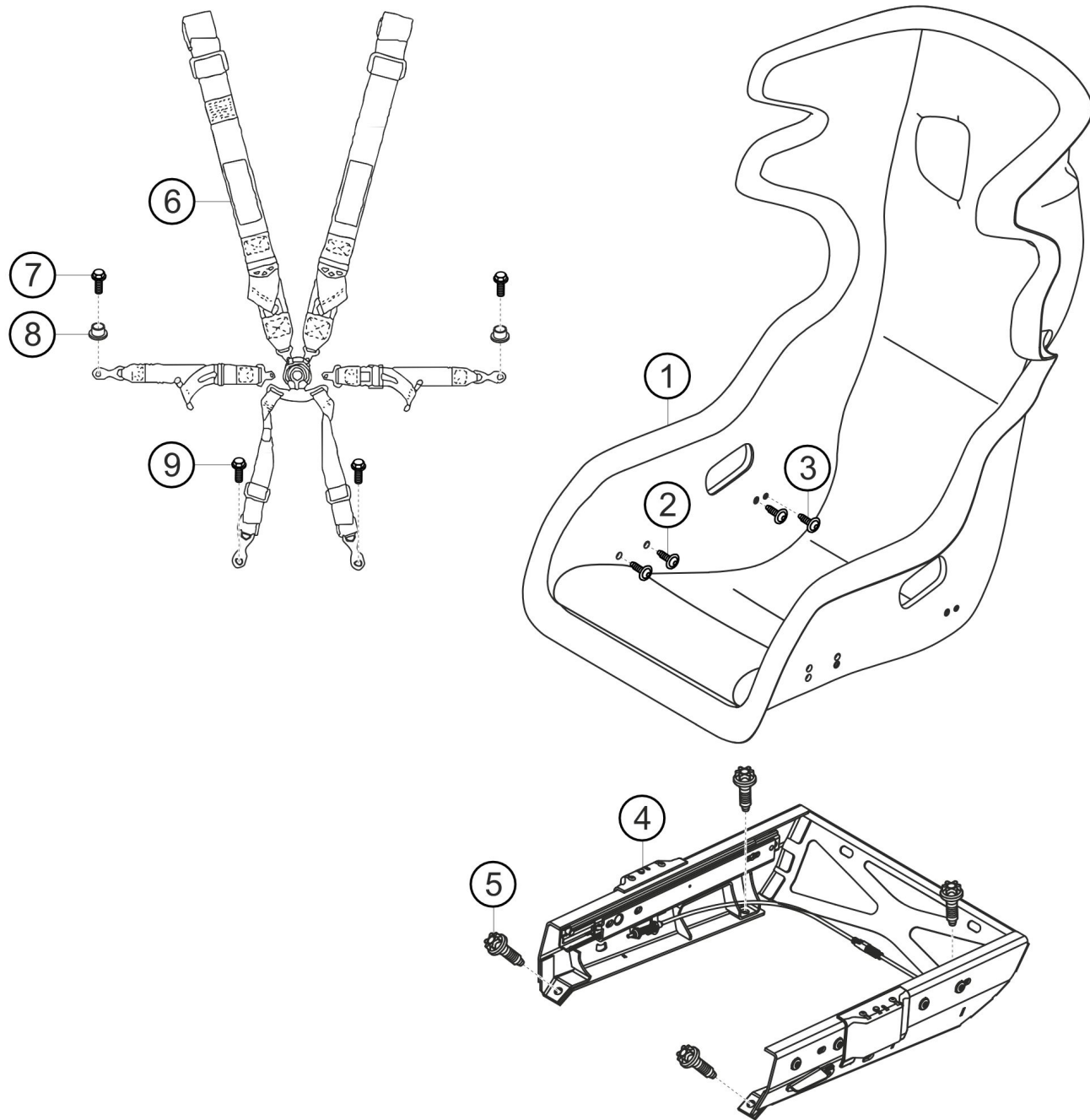


8.16 center console



Item no.	Description	M	Pc.	Material
1	COVERING UPPER	X	1	9915531238A
2	AS BASIC CARRIER CENTER CONSOLE	X	1	9915532118A
3	HEXAGON NUT		2	90037701809
4	SCREW FILL. HD.		2	999073295A2
5	OVAL-HEAD SCREW		2	99907349801

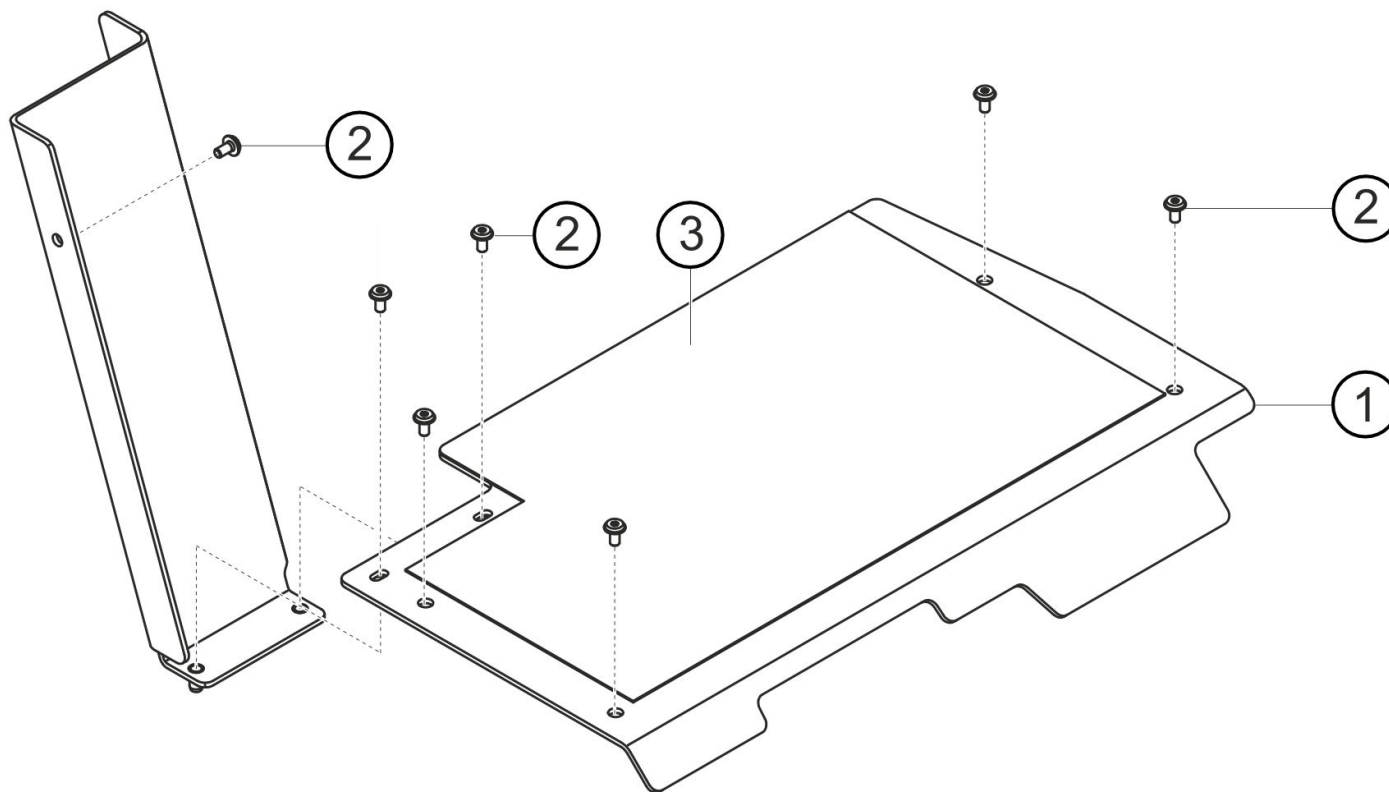
8.17 seat



Item no.	Description	M	Pc.	Material
O.B.	SET,CUSHION	X	1	9915214038B
O.B.	SET,CUSHION	X	1	9915214038C
1	AS SEAT PAN	X	1	9915212818A
2	SCREW	X	4	9915218638A
3	SCREW M8X25	X	4	9915218618A
4	SEAT CONSOLE	X	1	9915214298A
5	SCREW		4	99907346501
6	AS 6-POINT BELT	X	1	9918030378A
7	SCREW BELT ATTACHMENT	X	2	9968036919A
8	SPACING WASHER	X	2	9918036898A
9	SCREW	X	2	9918036918A

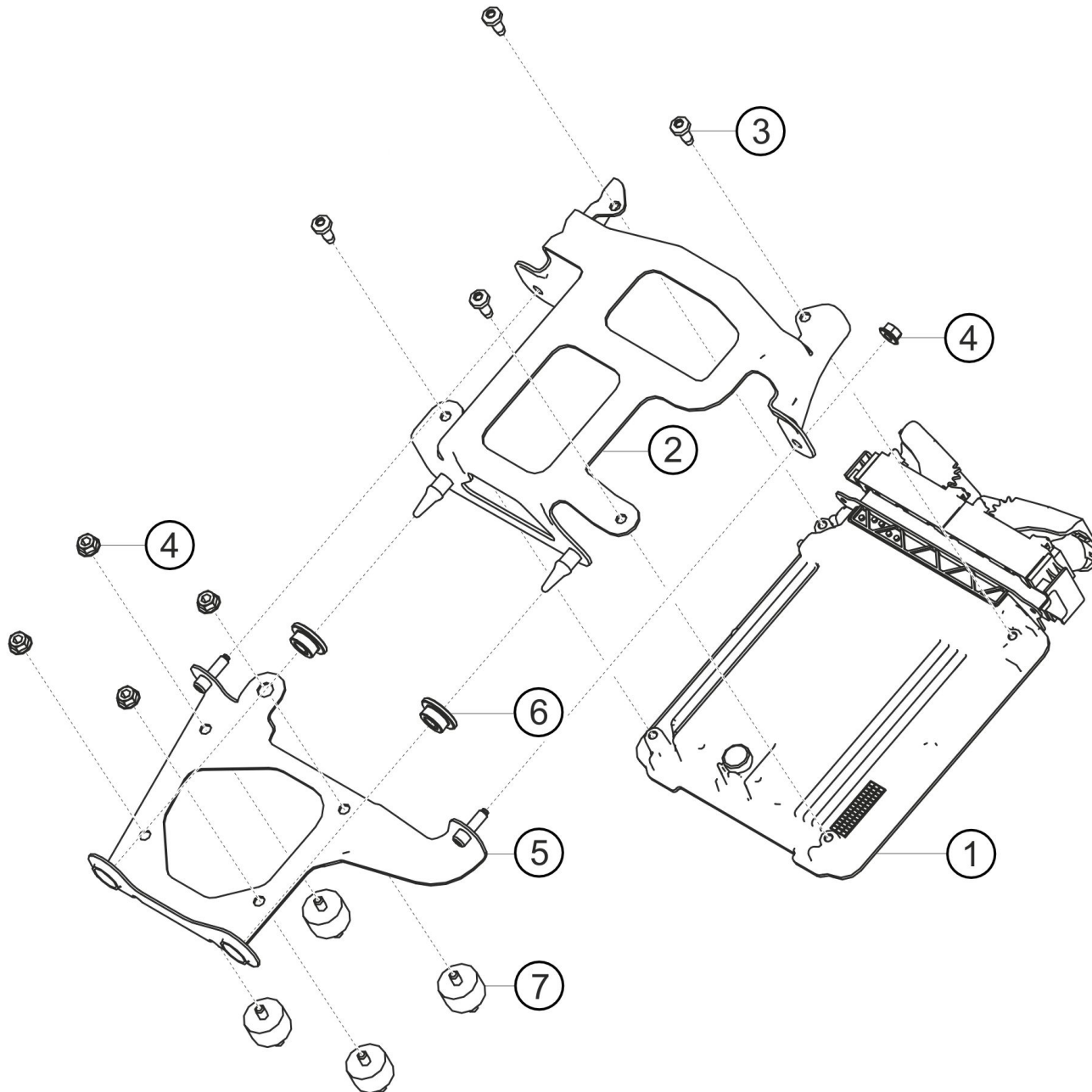
8.18 footrest and bottom plate

Item no.	Description	M	Pc.	Material
1	FOOTREST	X	1	9915512118A
2	SCREW FILL. HD.		7	99907326809
3	ADHESIVE FILM	X	1	9915512158A



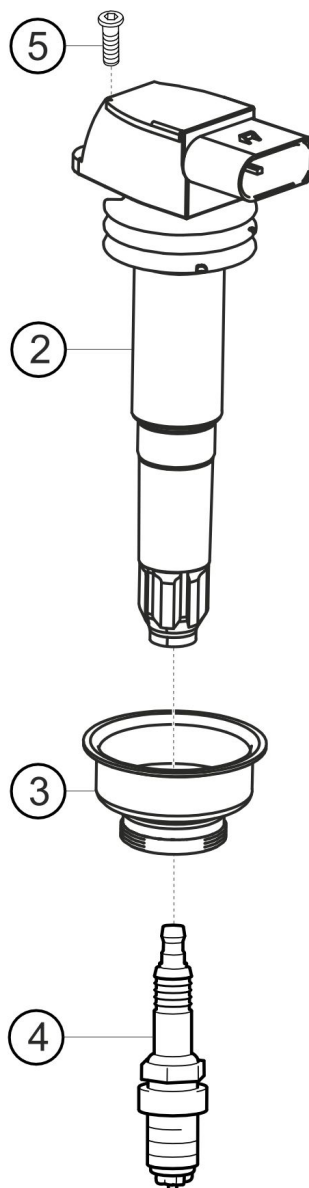
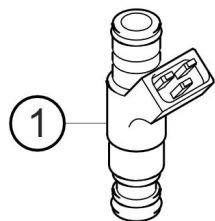
9 electrical system

9.1 engine control unit



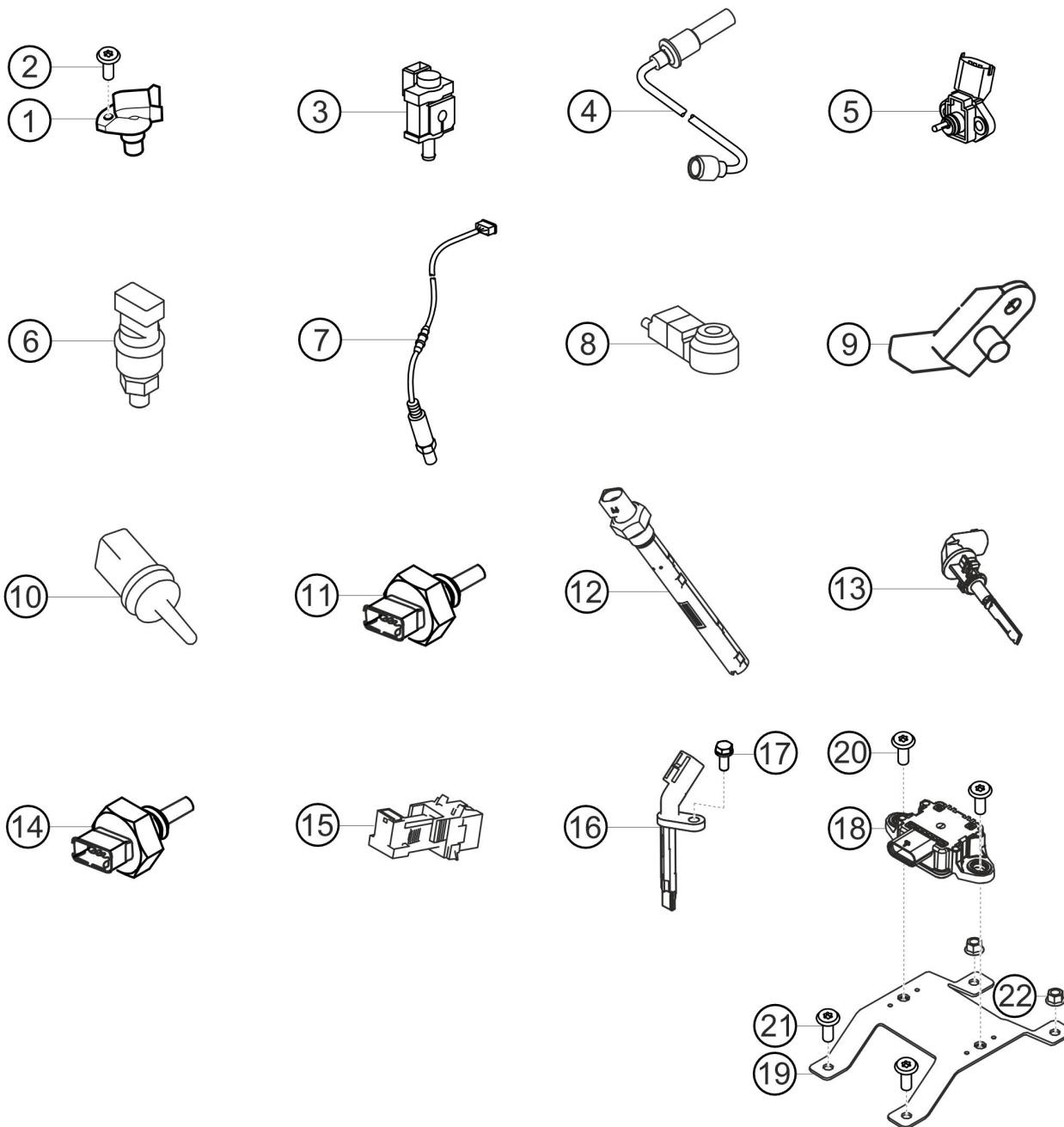
Item no.	Description	M	Pc.	Material
1	CONTROL UNIT EED17,UNPROG.	X	1	9916186038A
2	AS HOLDER CONTROL UNIT,GDI	X	1	9916181498A
3	OVAL-HEAD SCREW		4	N 10669501
4	HEXAGON NUT		6	99908463801
5	AS HOLDER CONTROL UNIT,GDI	X	1	9916186338A
6	RUBBER MOUNTING		2	99970349640
7	DAEMPF-EL 25X15/M 6*	X	4	99970348600

9.2 ignition and injection valve



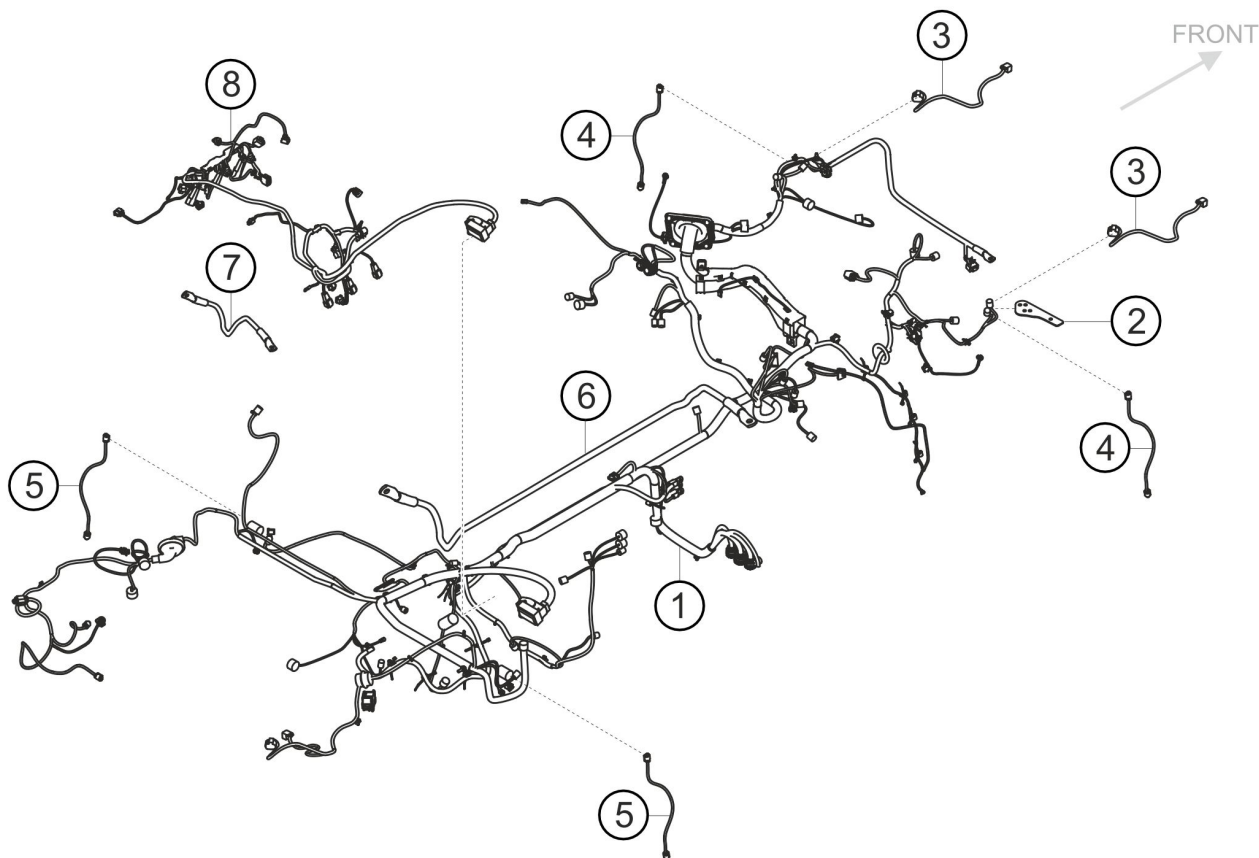
Item no.	Description	M	Pc.	Material
1	INJECTION VALVE INJECTION VALVE 14		6	99760513291
2	PENCIL COIL		6	9A160210406
3	SLEEVE PENCIL COIL	X	6	99710560290
4	SPARK PLUG	X	6	9916022018A
5	ROUND HEAD SCREW		6	99907310301
6	TIP SWITCH	X	1	9916133088A

9.3 sensors



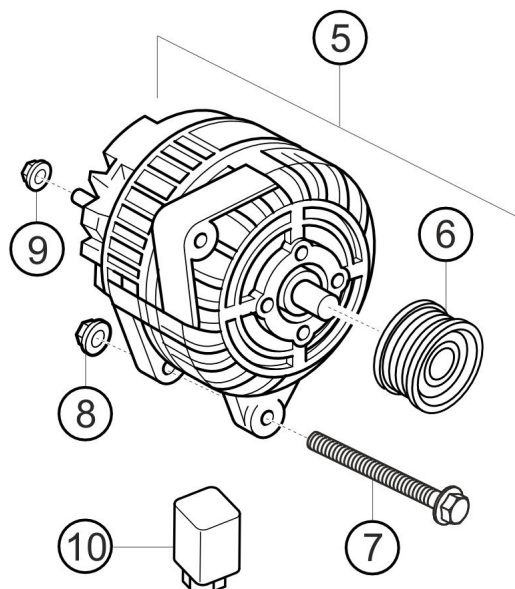
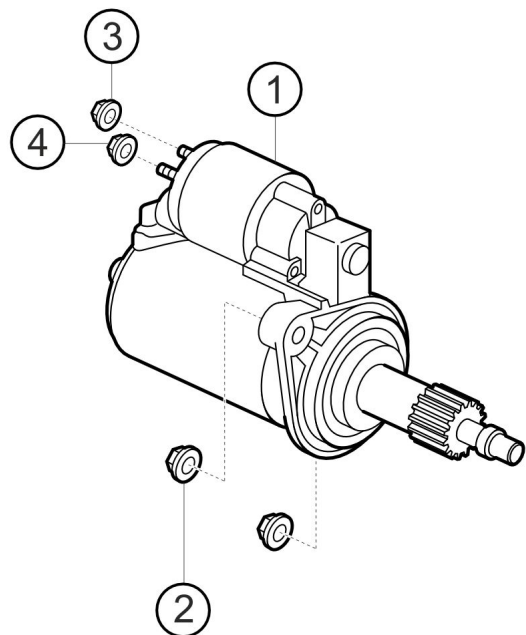
Item no.	Description	M	Pc.	Material
1	PHASE SENSOR		1	99760610603
2	ROUND HEAD SCREW		1	99907310301
3	CHANGE-OVER VALVE		2	7PP906270
4	SPEED SENSOR	X	1	9916061058A
5	OIL PRESSURE SENSOR W. TEMPERATURE SENSOR		1	94860621300
6	PRESSURE SENSOR CLUTCH	X	1	99760620391
6	PRESSURE SENSOR	X	2	99760620390
7	OXYGEN SENSOR PRE-CATALYST		2	9A160618101
8	KNOCK SENSOR		2	99760612100
9	PRESSURE SENSOR	X	2	9R460620500
10	TEMPERATURE SENSOR		1	99760621300
11	TEMPERATURE SENSOR		1	99660641000
12	OIL-LEVEL SENSOR		1	99660614000
13	SENSOR WATER RESERVOIR COOLANT		1	97060650300
14	TEMPERATURE SENSOR TRANSMISSION	X	1	9966062249A
15	SENSOR BRAKE PEDAL		1	97060645100
16	SPEED SENSOR		4	99160640701
17	HEXAGON-HEAD BOLT M6X16 I10644 8.8-S1-N-MK*		4	99921711601
18	ROTATION-RATE SENSOR		1	99160614503
19	HOLDER SENSOR	X	1	9916412438A
20	ROUND HEAD SCREW		4	99907334401
21	SCREW M6x20 8.8	X	2	99907333009
22	HEXAGON NUT		2	90037701001

9.4 cable looms



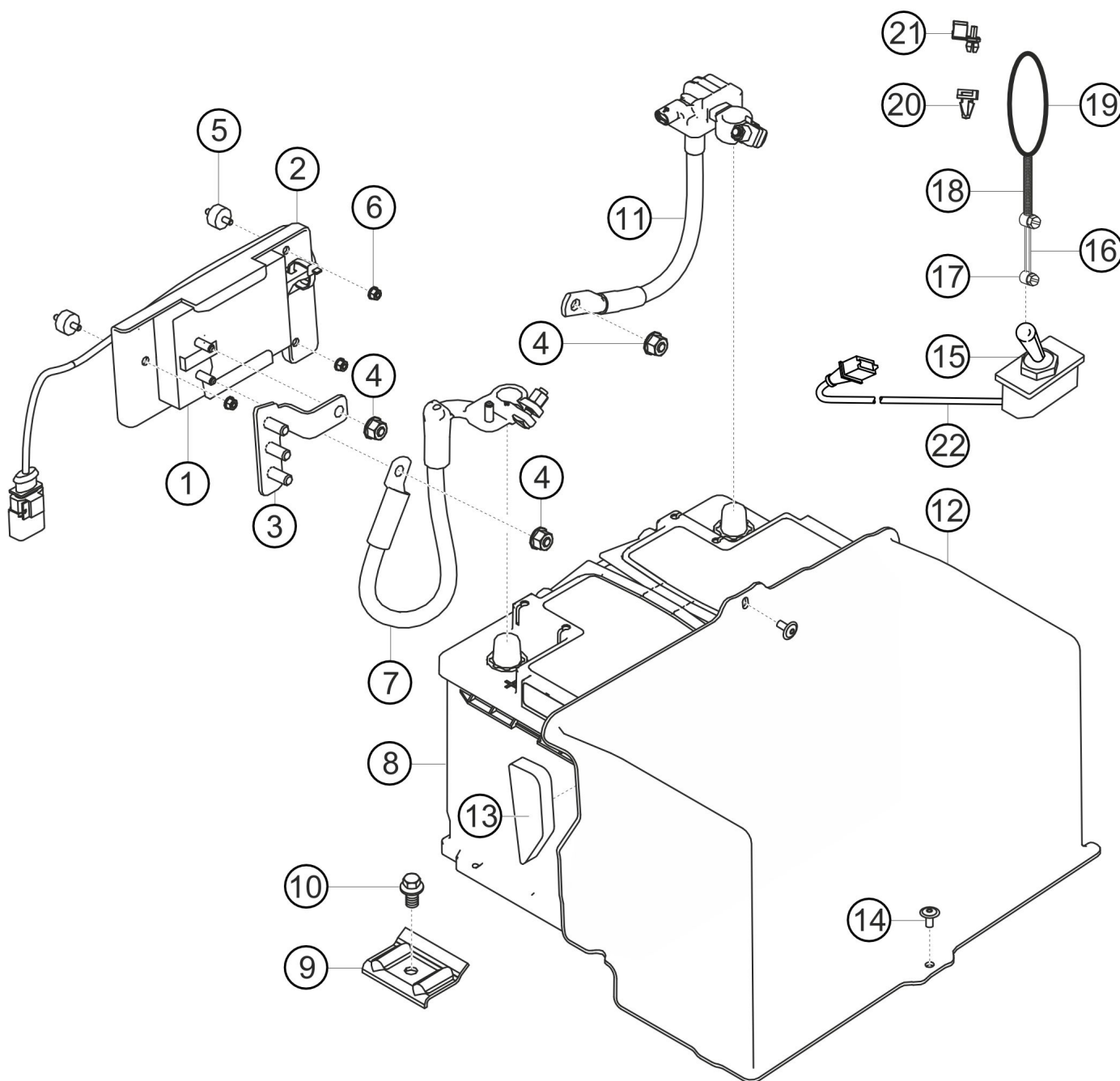
Item no.	Description	M	Pc.	Material
O.B.	HOUSING		1	433911075
O.B.	HEXAGON-HEAD BOLT AM 8X12 EN1665 8.8 26B1 *		1	90037812301
O.B.	PAN-HEAD SCREW		1	90038702101
O.B.	FUSE LINE	X	1	9916125378A
O.B.	BLANK HOLDER CABLE LOOM	X	3	9916128398A
O.B.	FUSE SERVO PUMP	X	1	9966108809A
O.B.	CABLE BINDER		10	99950709340
O.B.	CABLE BINDER		10	99959112640
O.B.	SPACE WASHER		1	N 0122418
1	CABLE LOOM PASSENGER COMPART.	X	1	9916121018F
2	HOLDER CABLE LOOM	X	2	9916127418B
3	CABLE LOOM MODULE FRONT END	X	2	9916123018A
4	LINE WHEEL CARRIER	X	2	9916129468A
5	LINE WHEEL CARRIER	X	1	9916129488A
6	CONNECTING CABLE STARTER	X	1	9916123958A
7	GROUND CABLE BODY/ENGINE		1	99660703401
8	CABLE LOOM ENGINE	X	1	997607012A1

9.5 generator and starter



Item no.	Description	M	Pc.	Material
1	STARTER	X	1	9916041078A
2	HEXAGON NUT M10 D 6923 10 26B1		2	90037701101
3	HEX. NUT M 8 EN1661 10 R645		1	90037700301
4	HEXAGON NUT M 6 EN1661 8 R645		2	90037701002
5	AS 3-PHASE-GENERATOR	X	1	9976030198B
6	BELT PULLEY W.ONE-WAY CLUTCH		1	99760315400
7	HEXAGON-HEAD BOLT		1	99921717101
8	HEXAGON NUT M10 D 6923 10 26B1		1	90037701101
9	HEXAGON NUT		1	90038000501
10	PRE RESISTOR	X	1	7D0959263C

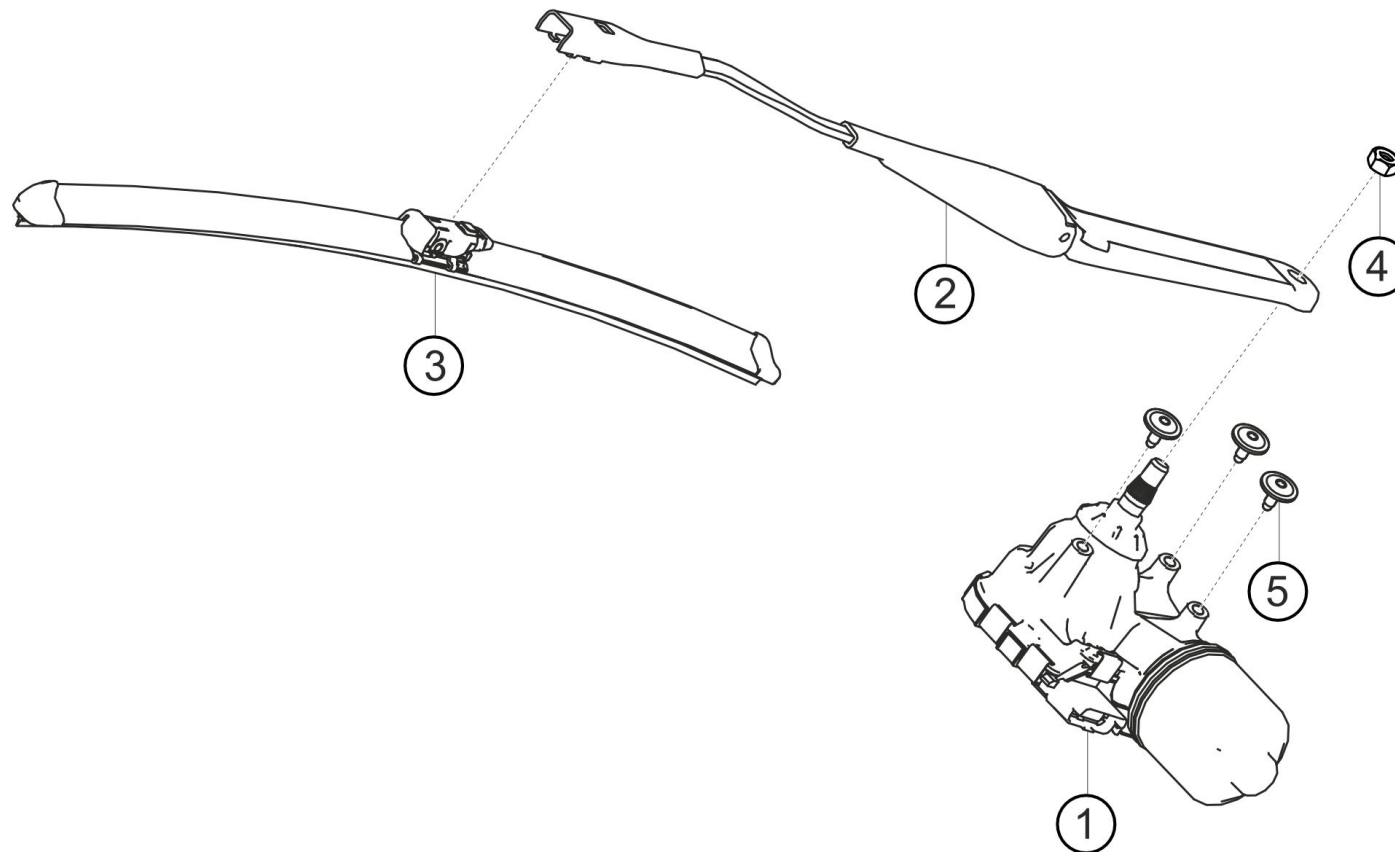
9.6 battery and main relay



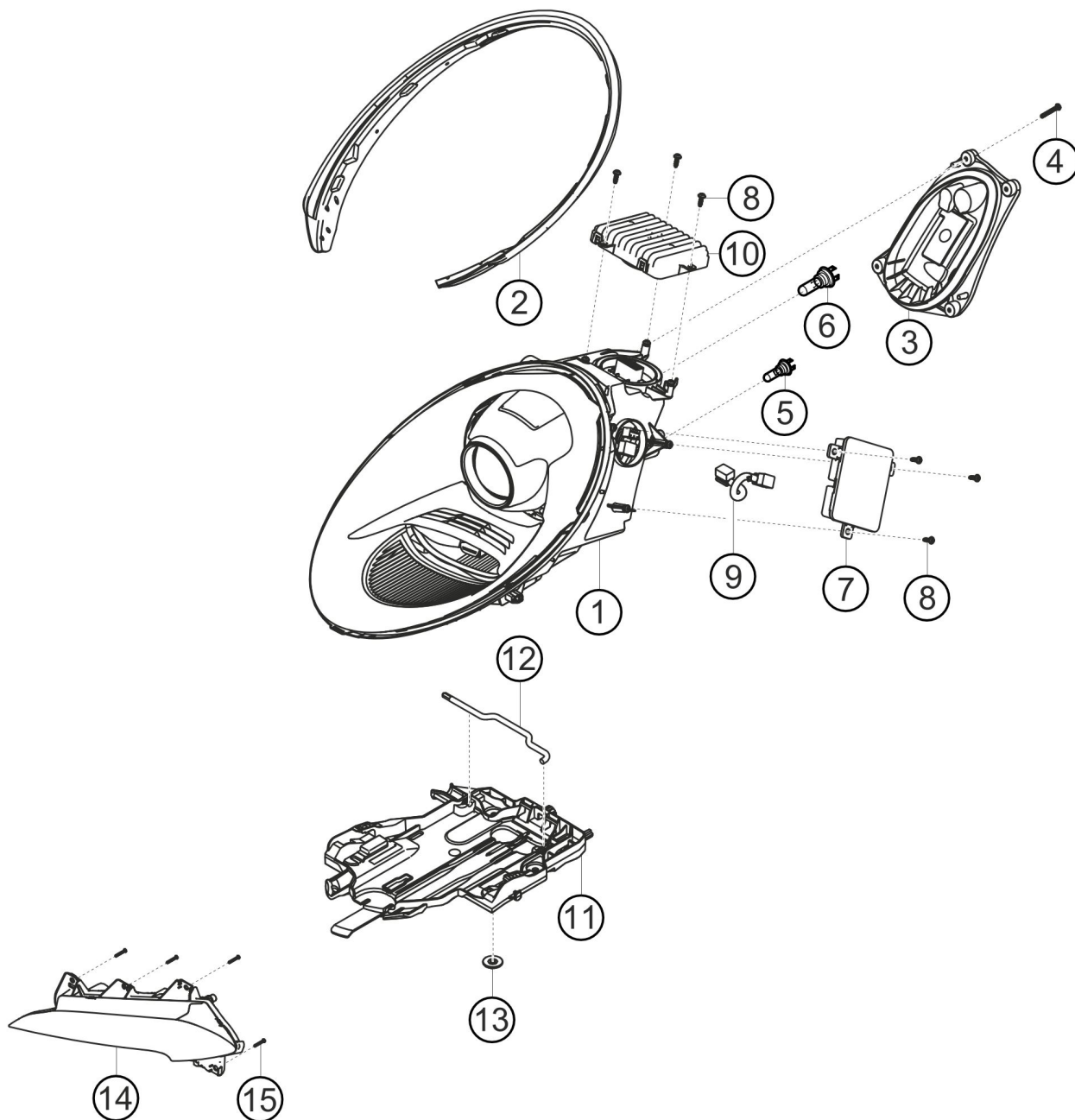
Item no.	Description	M	Pc.	Material
1	DISCONNECT SWITCH	X	1	9916111279A
2	HOLDER DISCONNECT SWITCH	X	1	9916115279A
3	CONTACT PLATE	X	1	9916111299A
4	HEX. NUT M 8 EN1661 10 R645		3	90037700301
5	DAEMPF-EL 20X10/M 5	X	3	99970350400
6	HEXAGON NUT M 5 EN1664 8 C350		3	90038000102
7	AS BATTERY CABLE		1	99661209009
8	BATTERY		1	99961107012
9	FASTENING RAIL BATTERY		1	99661120901
10	HEXAGON-HEAD BOLT M8x20 EN1665 8.8 26B1		1	90037801701
11	AS GROUND CABLE BATTERY		1	99161104302
12	COVERING BATTERY	X	1	9916111708A
13	FOAM PART BATTERY	X	1	9916111738A
14	SCREW FILL. HD.		1	999073295A2
15	ROCKER SWITCH	X	1	99661326180
16	STRAND 1,2mm	X	1	99959501900
17	RETAINER	X	2	99661132590
18	SPRING FOR EMERGENCY SHUTOFF	X	1	99661331790
19	SHRINK-HOSE	X	1	99961507140
20	HOLDER 6,6 POM 130 SW		1	99951305740
21	CABLE HOLDER		1	99950750640
22	CONNECTING CABLE EMERGENCY SWITCH	X	1	9916123618A

9.7 windscreen wiper unit

Item no.	Description	M	Pc.	Material
1	WIPER MOTOR	X	1	9916280358A
2	WIPER ARM PASSENGER SIDE	X	1	9916280298A
3	WIPER BLADE PASSENGER SIDE	X	1	99162815202
4	NUT M10	X	1	99907608302
5	LENS-HD. SCREW		3	999015025A2

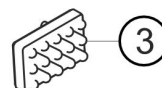
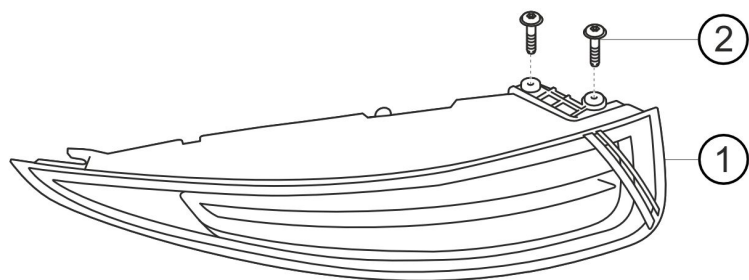


9.8 headlight



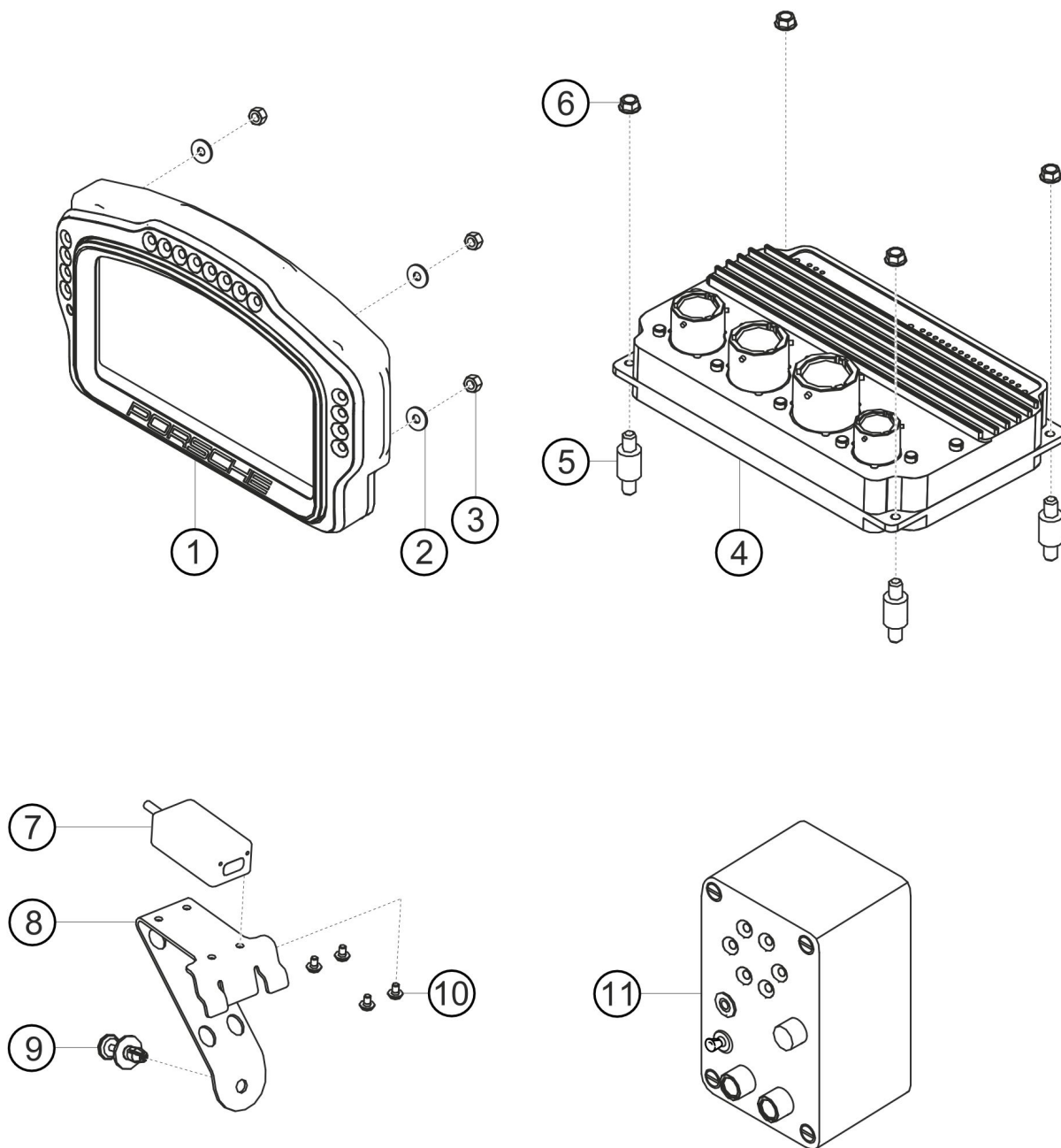
Item no.	Description	M	Pc.	Material
1	MAIN HEADLAMP RHT,LH,XENON		1	99163122105
1	MAIN HEADLAMP RHT,RH,XENON		1	99163122205
2	CD-SEALING MAIN HEADLAMP LEFT		1	99163131502
2	CD-SEALING MAIN HEADLAMP		1	99163131602
3	PROTECTIVE CAP HEADLAMP LEFT		1	99163131100
3	PROTECTIVE CAP HEADLAMP RIGHT		1	99163131200
4	SCREW MOUNT PROTECTIVE CAP HEADLAMP		4	99163137700
5	HALOGEN BULB		1	99963113391
6	BULB		1	99963107090
7	CONTROL UNIT HEADLAMP		1	99161832303
8	SCREW FILL. HD.		8	99991915909
9	CABLE CONTROL UNIT BULB		1	99163132300
10	CONTROL UNIT AUTOM.H/L LEVELLING		1	99161832717
11	AS FIXTURE MAIN HEADLAMP		1	99163120102
11	AS FIXTURE MAIN HEADLAMP		1	99163120202
12	CLAMPING BOW MOUNTING HEADLAMP		1	99163140100
13	LOCK NUT MOUNTING HEADLAMP		2	99163137100
14	AS AUXIL. HEADLAMP DAYTIME RUN.LAMP		1	99163115181
14	AS AUXIL. HEADLAMP DAYTIME RUN.LAMP		1	99163115281
15	OVAL-HEAD SCREW		3	99991924601

9.9 rearlight



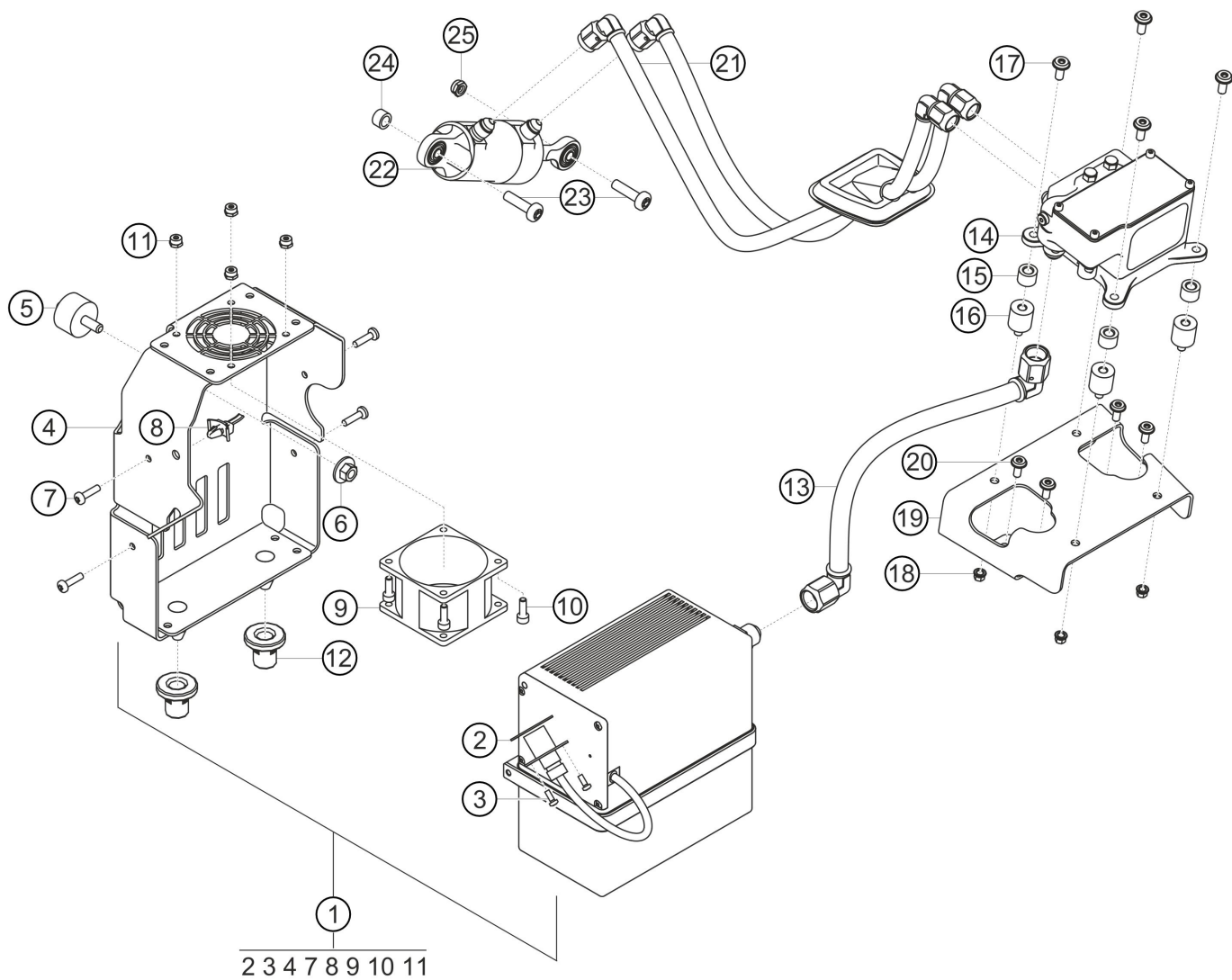
Item no.	Description	M	Pc.	Material
1	AS TAIL LAMP ECE,RHT		1	99163114113
1	AS TAIL LAMP ECE,RHT		1	99163114213
2	COMBINATION SCREW		2	99907355101
3	AUXILIARY LAMPS	X	1	9916315518B

9.10 display system



Item no.	Description	M	Pc.	Material
1	GAGE	X	1	9916412318A
2	WASHER		4	90015102801
3	LOCK NUT		4	90008402001
4	CONTROL UNIT ELECTRIC SYSTEM	X	1	9916416298B
5	DAMPING DEVICE	X	4	9916417298A
6	HEXAGON HEAD BOLD M 4 O. KLLN9338 1.7220.3 *	X	4	90081701101
7	RECEIVER LAP TIME	X	1	9916412338A
8	HOLDER RECEIVER	X	1	9916413338A
9	RIVET 8,0x14,0		1	99950749740
10	HEXAGON HEAD BOLD M4X6 8.8 26D1	X	4	99907328309
11	TRANSMITTER LAP TIME	X	1	9916412348A

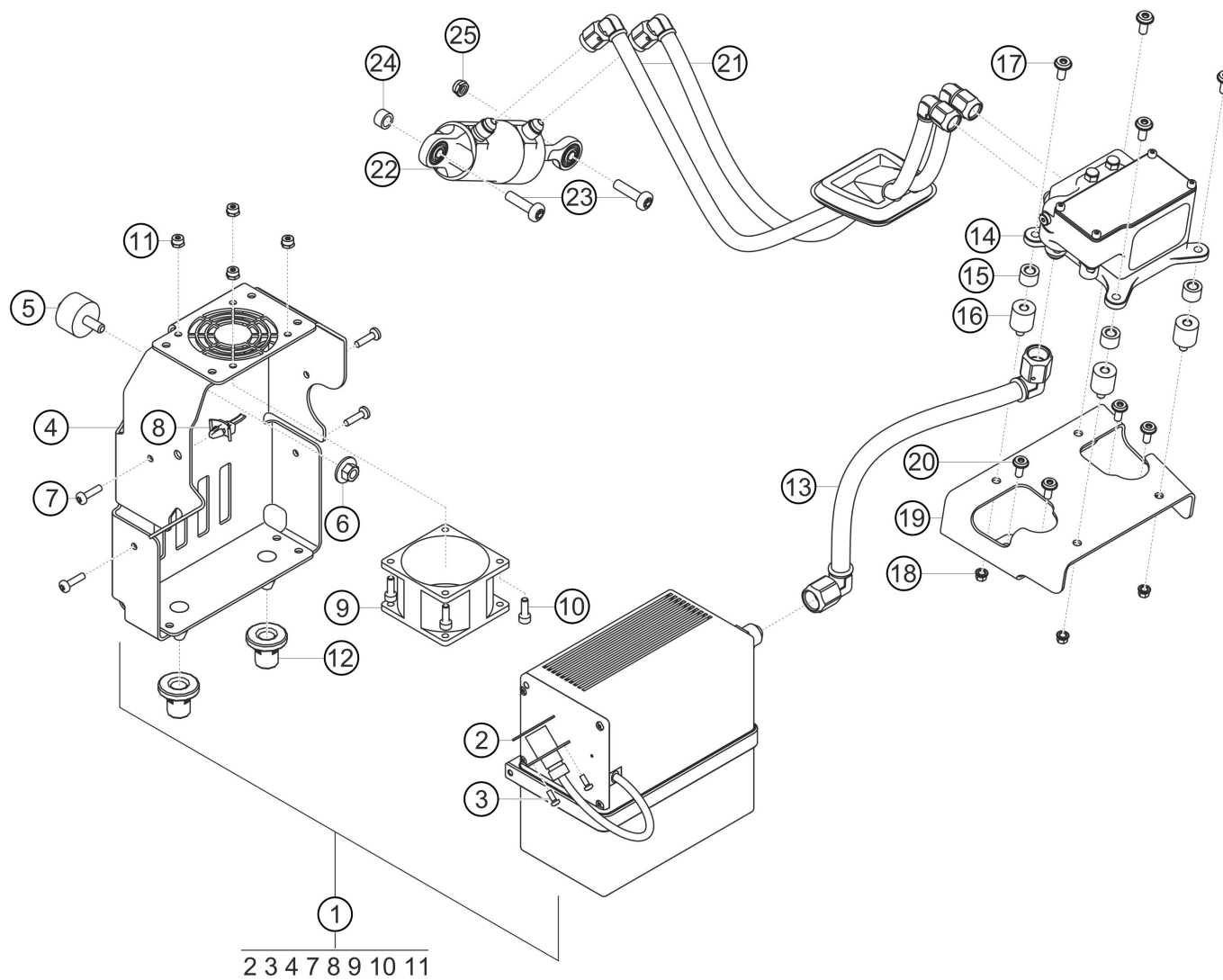
9.11 paddle shift system



Item no.	Description	M	Pc.	Material
1	AS COMPRESSOR CPL.	X	1	9916181558B
2	FASTENING PLATE	X	1	9R661273700
3	PAN-HEAD SCREW M3X 8 I14583 8.8 26D1	X	2	99907339801
4	HOLDER COMPRESSOR	X	1	9916187478B
5	DAEMPF-EL 25X15/M 6*	X	1	99970348600
6	HEXAGON NUT		1	99907607102
7	OVAL-HEAD SCREW M4X12	X	4	99901501507
8	TIE-WRAP		1	99951306840
9	AS VENTILATOR	X	3	9916182498A
10	PAN-HEAD SCREW		4	90006743601
11	LOCK NUT		4	90008402001
12	BUSH		2	99970326740
13	AIR LINE	X	1	9916187858E
14	VALVE BLOCK	X	1	9916184718B
15	SLEEVE DISTRIBUTOR	X	4	9963558579A
16	BONDED RUBBER MOUNTING		4	99970319301
17	SCREW FILL. HD.	X	4	999073270A2
18	HEX. NUT M5 LN9338 1.7220.3	X	4	90081700502
19	HOLDER VALVE BLOCK	X	1	9916187958B
20	SCREW FILL. HD.		4	99907326809
21	AS AIR LINE VALVE BLOCK+ COMPR.	X	1	9916184858E
22	SLAVE CYLINDER TRANSMISSION	X	1	9916053108E
23	SCREW SLAVE CYLINDER	X	2	9916065618A

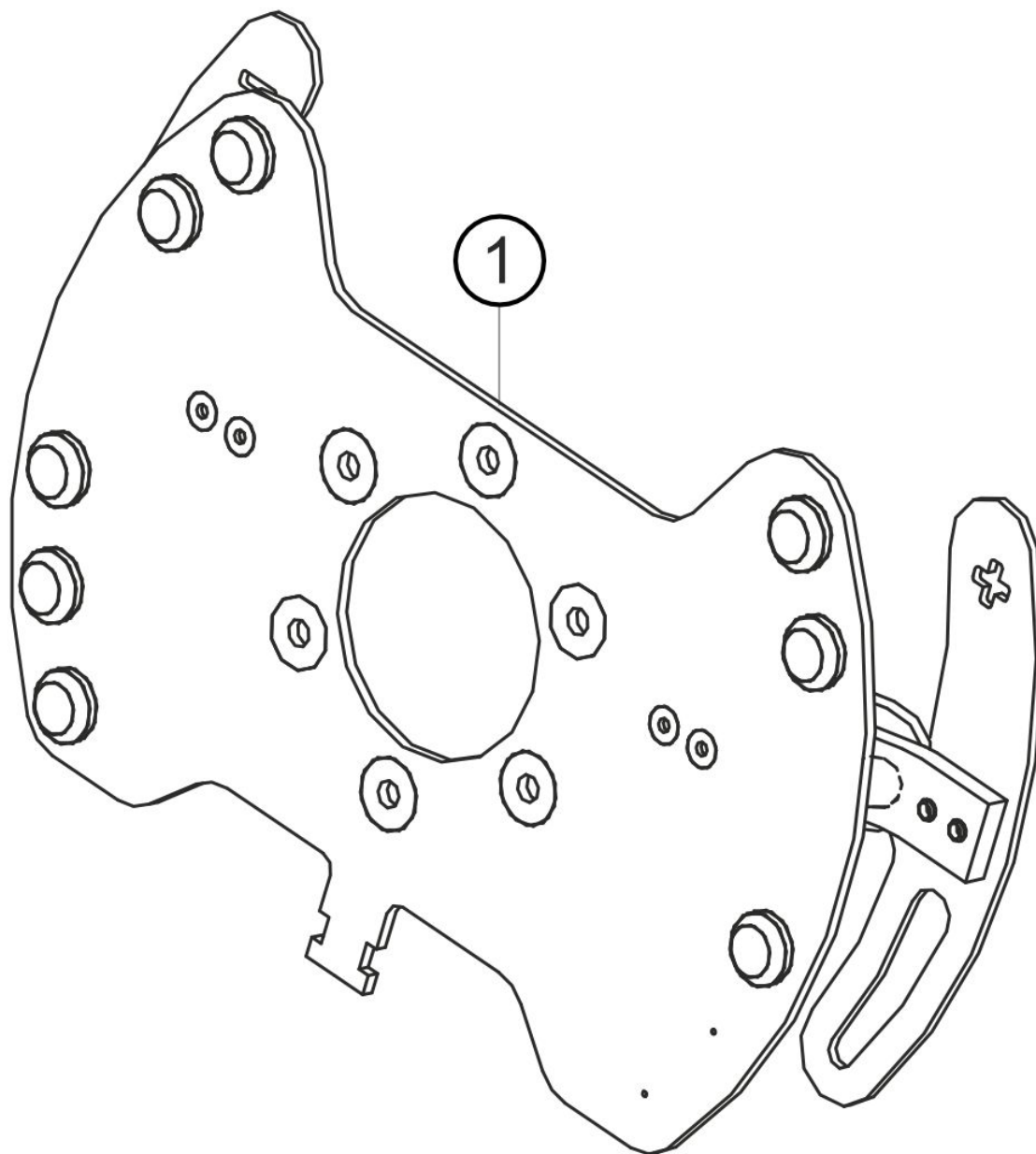
9.11 paddle shift system

Item no.	Description	M	Pc.	Material
24	SPACER SHIFT COUPLING	X	1	9916055118A
25	HEX. NUT M6 LN9338 1.7220.3	X	1	90081700102

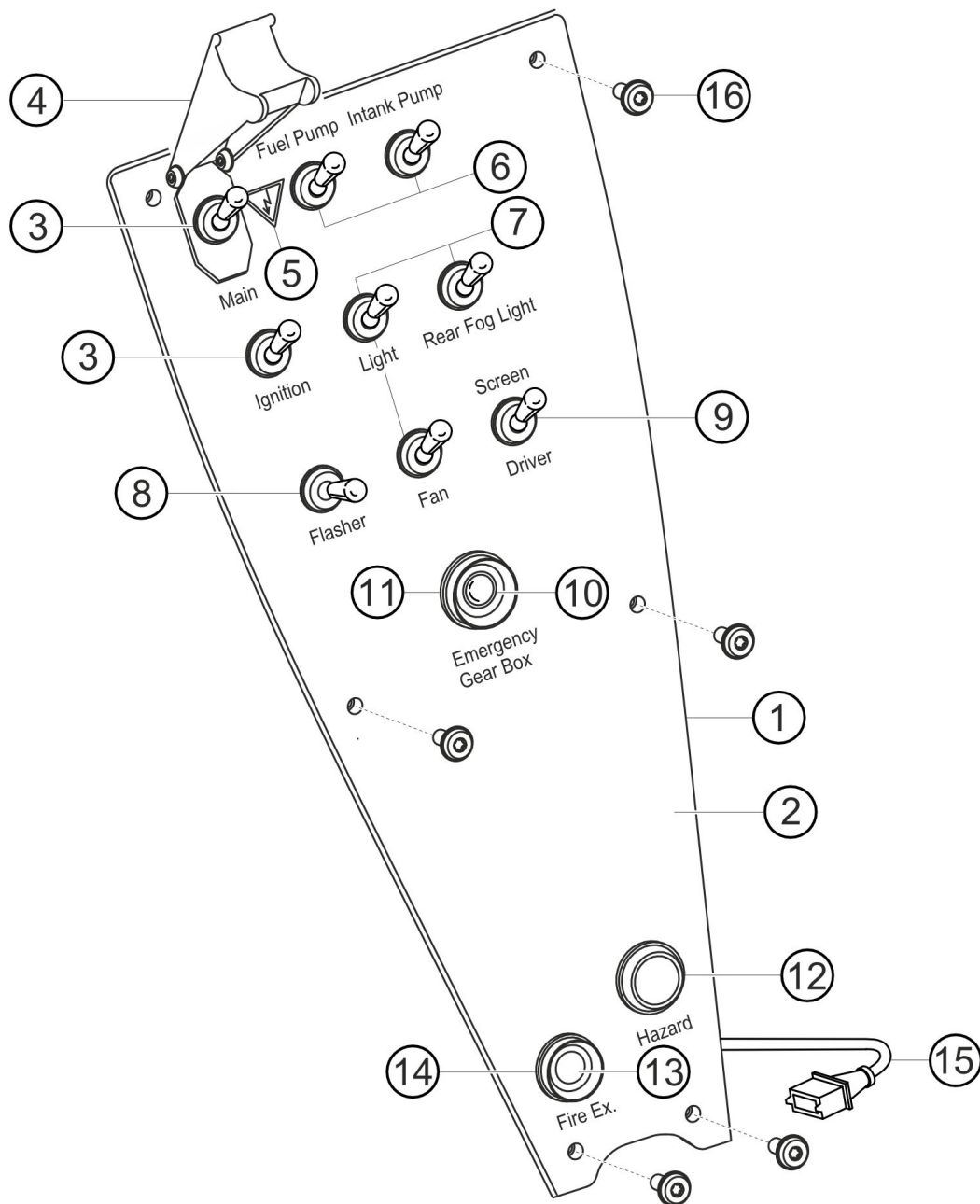


9.12 switch plate steering wheel

Item no.	Description	M	Pc.	Material
1	AS RETAINING PANEL	X	1	9916415738A



9.13 support-plate center console

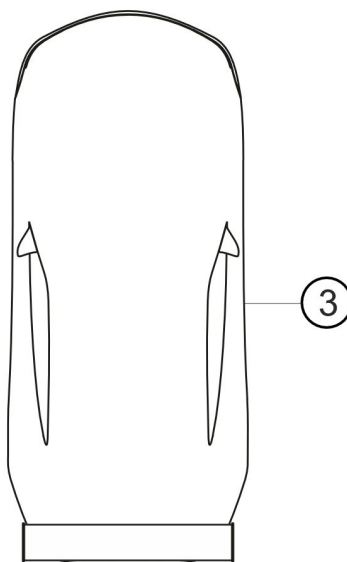
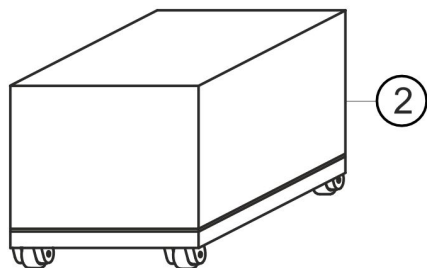
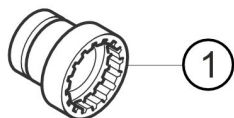


Item no.	Description	M	Pc.	Material
1	AS CARRIER PLATE CENTER CONSOLE	X	1	9916131858E
2	COVERING CENTER CONSOLE	X	1	9916412458A
3	INNER	X	1	9916132618A
4	PROTECTING SHIELD	X	1	9916132838A
5	STICKER INNER	X	1	9910065098A
6	CHANGE-OVER SWITCH	X	2	9916133558A
7	SWITCH	X	3	9916133618A
8	CHANGE-OVER SWITCH RIGHT	X	1	9916133658A
9	CHANGE-OVER SWITCH LEFT	X	1	9916133578A
10	PRESSURE SWITCH	X	1	9917224278A
11	PROTECTING FRAME	X	1	9917224358A
12	EMERG.FLASHER SWITCH	X	1	9916131248A
13	SWITCH FIRE EXTINGUISHER	X	1	9917224238A
14	PROTECTING FRAME	X	1	9917224258A
15	CABLE LOOM CENTER CONSOLE	X	1	9916128138E
16	SCREW FILL. HD.		6	99907326809

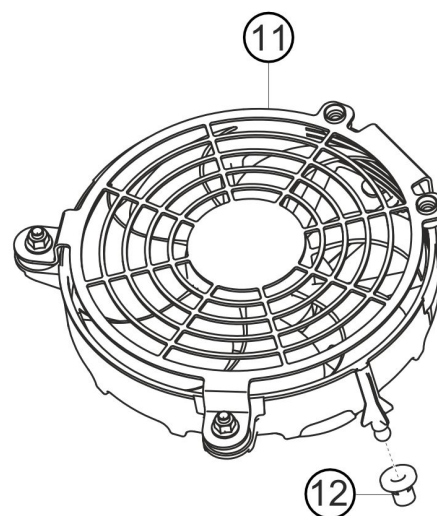
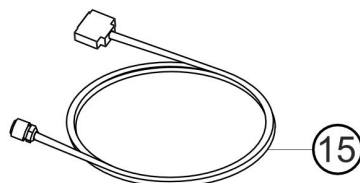
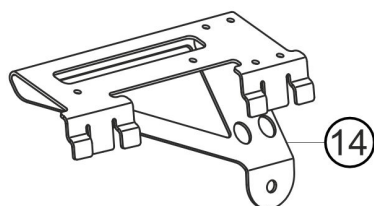
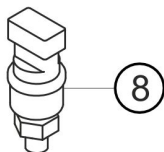
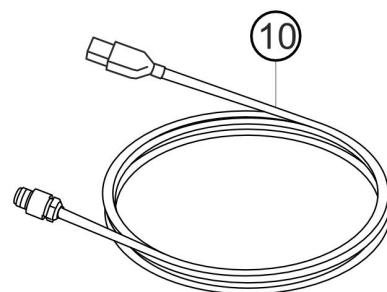
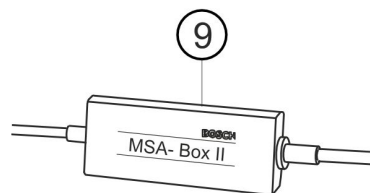
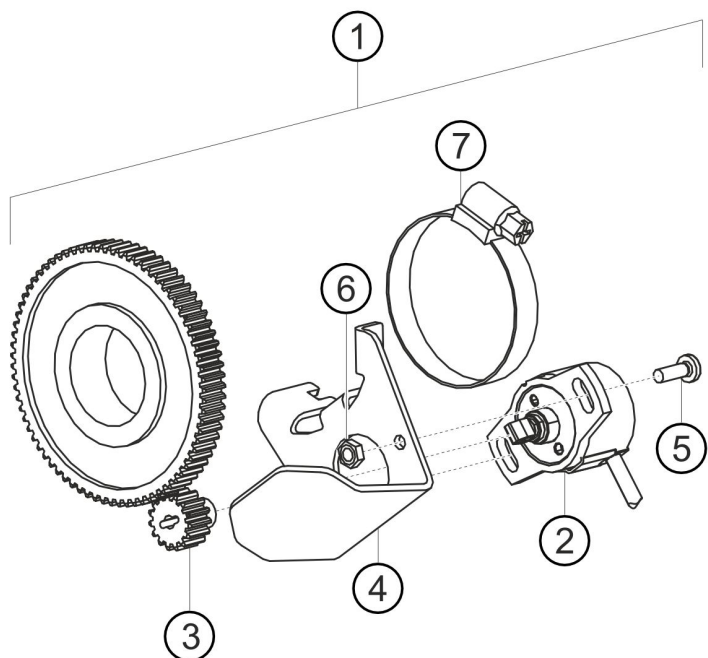
10 accessories and tools

10.1 accessories

Item no.	Description	M	Pc.	Material
1	WRENCH SOCKET CENTER LOCK	X	1	9974501699B
2	TRANSPORT BOX TRANSMISSION	X	1	9913001969A
2	TRANSPORT BOX ENGINE	X	1	99710017590
3	CAR COVER CUP	X	1	9917210508A



10.2 electrical accessories

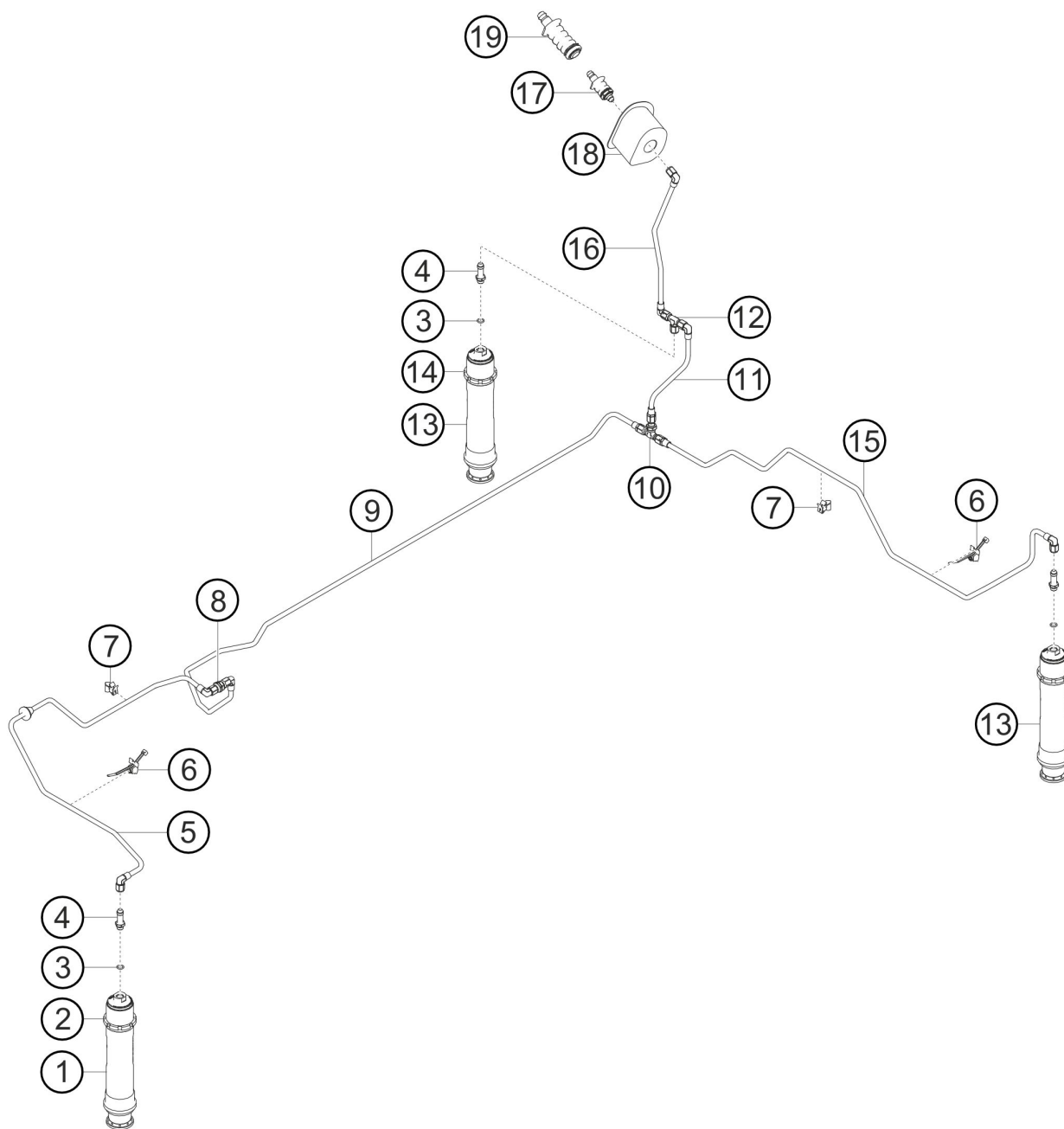


Item no.	Description	M	Pc.	Material
1	SET STEER-ANGLE SENSOR	X	1	9916061098B
2	AS STEER-ANGLE SENS.	X	1	9916414118C
3	GEAR STEER-ANGLE SENSOR	X	1	9916413758C
4	HOLDER STEER-ANGLE SENSOR	X	1	9916417538B
5	ROUND HEAD SCREW		2	99907345601
6	HEXAGON NUT M 4 I 4032 8 R645	X	2	N 01100412
7	HOSE CLAMP		1	99951249900
8	PRESSURE SENSOR BRAKE/CLUTCH	X	2	9976062038A
9	CONNECTING CABLE	X	1	9976189099A
10	CABLE DIAGNOSTIC	X	1	9916412398A
11	AS BLOWER ENGINE BAY	X	1	9916241558A
12	GROMMET	X	3	1T0805673A
13	OIL-LEVEL INDICATOR	X	1	9976411399A
14	HOLDER RECEIVER	X	1	9916413338C
15	CABLE LOOM OIL-LEVEL INDICATOR	X	1	9916123348A

10.3 greases and liquides

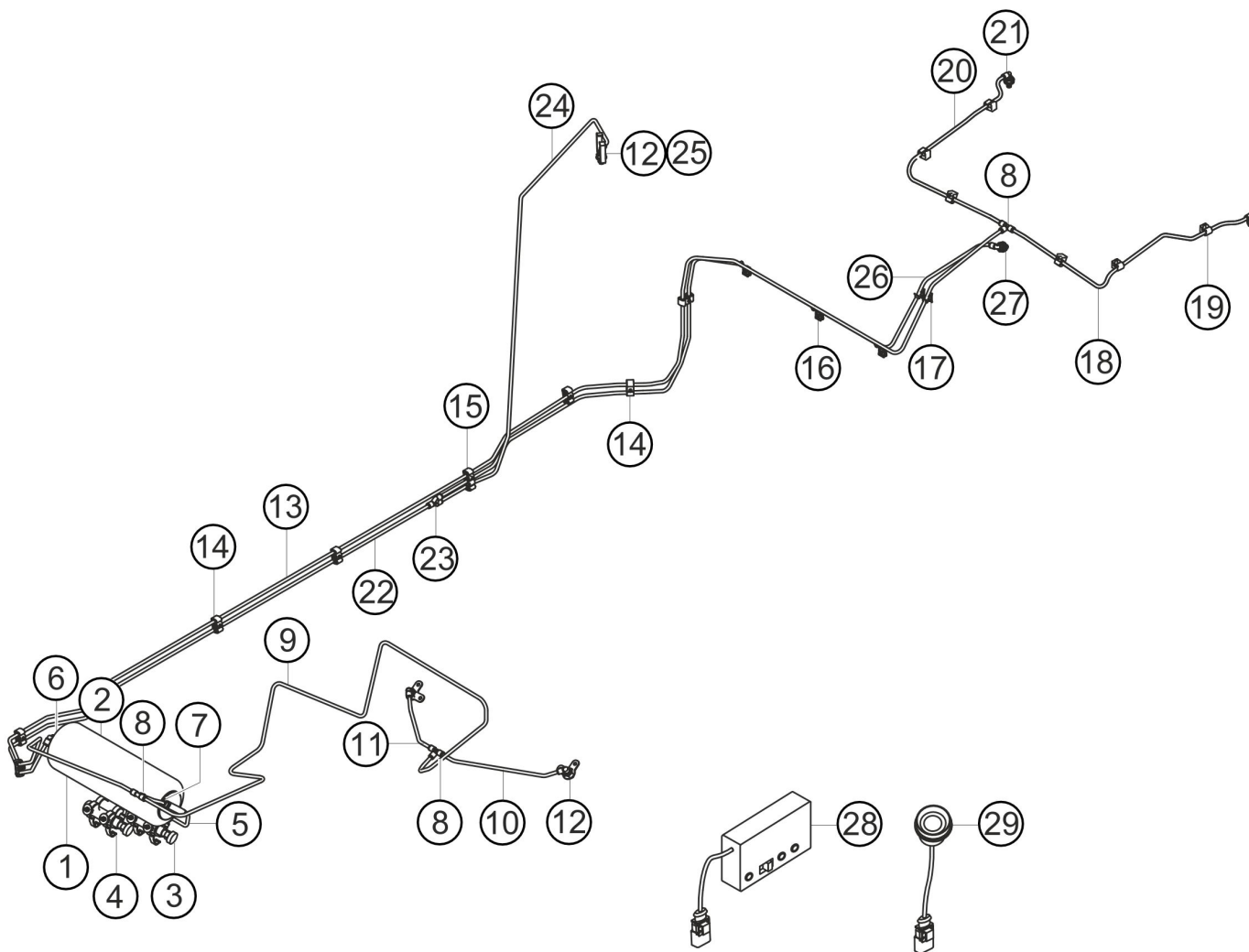
Item no.	Description	M	Pc.	Material
1	MOUNTING PASTE OPTIMOLY HT		1	00004300400
2	OPTIMOLY		1	00004302000
3	GREASE DRIVE SHAFT		1	00004311001
4	PENTOSIN		1	00004320656
5	BRAKE FLUID	X	1	9913559608A
6	GETR-OEL MOBILUBE 1SHCSAE75W-90	X	1	99991706200
7	CORROSION PROTECTIONCOOLANT	X	1	99710690790
8	GREASE DIFFERENTIAL	X	1	9913328999A

10.4 airjack system



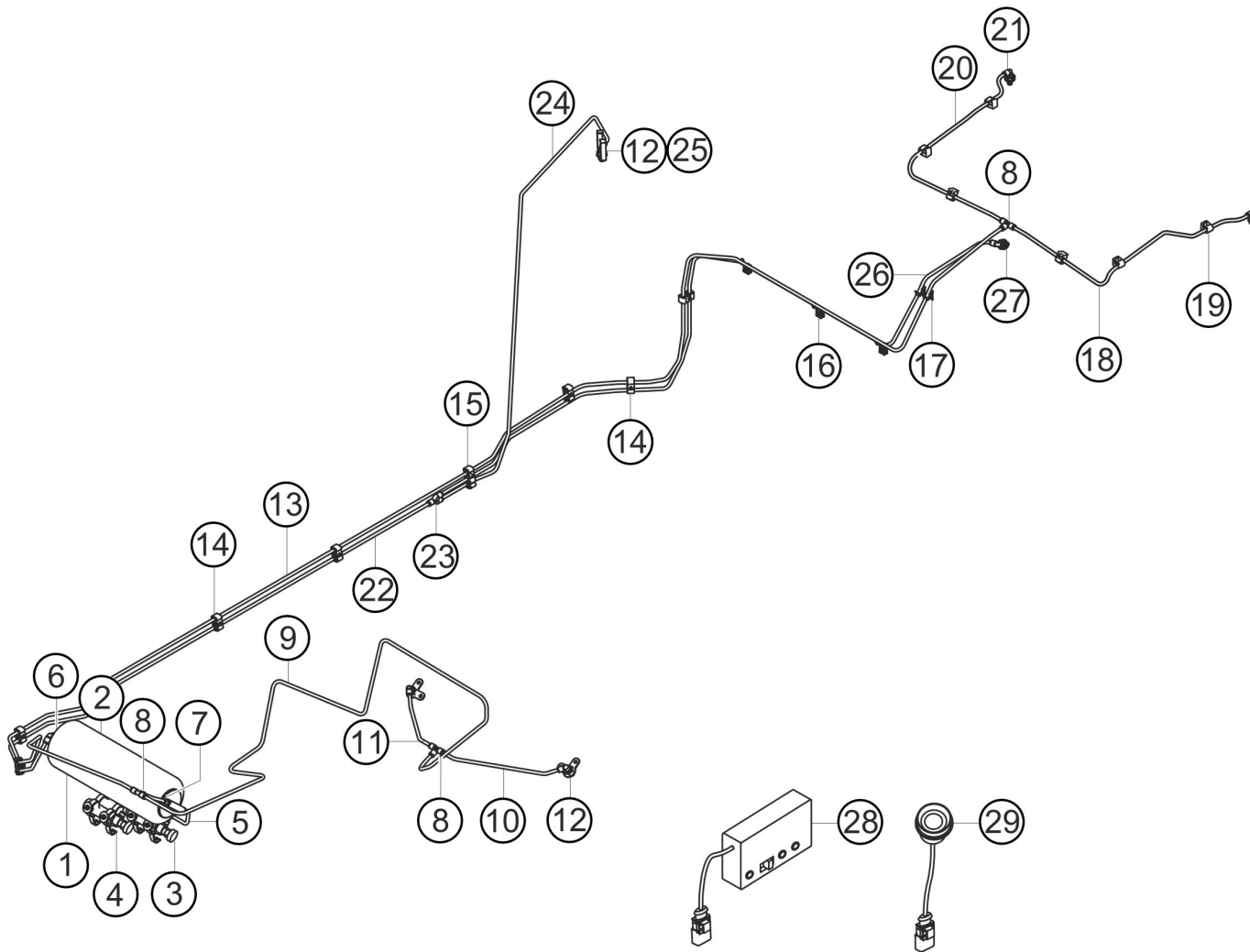
Item no.	Description	M	Pc.	Material
1	LIFTING CYLINDER FRONT	X	1	9915831138A
2	COUNTERNUT	X	1	99758351590
3	O-RING 11,30x2,4	X	3	99970101140
4	SPACER	X	3	9915835258A
5	AIR LINE FRONT	X	1	9915832038A
6	CABLE BINDER		7	99959112640
7	CABLE CLIP	X	2	9916101378A
8	PASSAGE	X	1	9915835658A
9	LINE LONG	X	1	9915832018A
10	T-FITTING HEEL PLATE	X	1	9915835638A
11	AIR LINE RRH	X	1	9915831078A
12	T-FITTING PNEUMATIC JACK REAR RIGHT	X	1	9915835618A
13	LIFTING CYLINDER REAR	X	2	9915831118A
14	COUNTERNUT LIFTING CYLINDER	X	2	9915835178A
15	AIR LINE REAR	X	1	9915832058A
16	LINES MAIN VALVE	X	1	9915831058A
17	MAIN VALVE	X	1	9915831038A
18	HANDLE RECESS VALVE/ PNEUMATIC JACK	X	1	9915041838A
19	AIR LANCE	X	1	9915831018A

10.5 fire extinguishing system



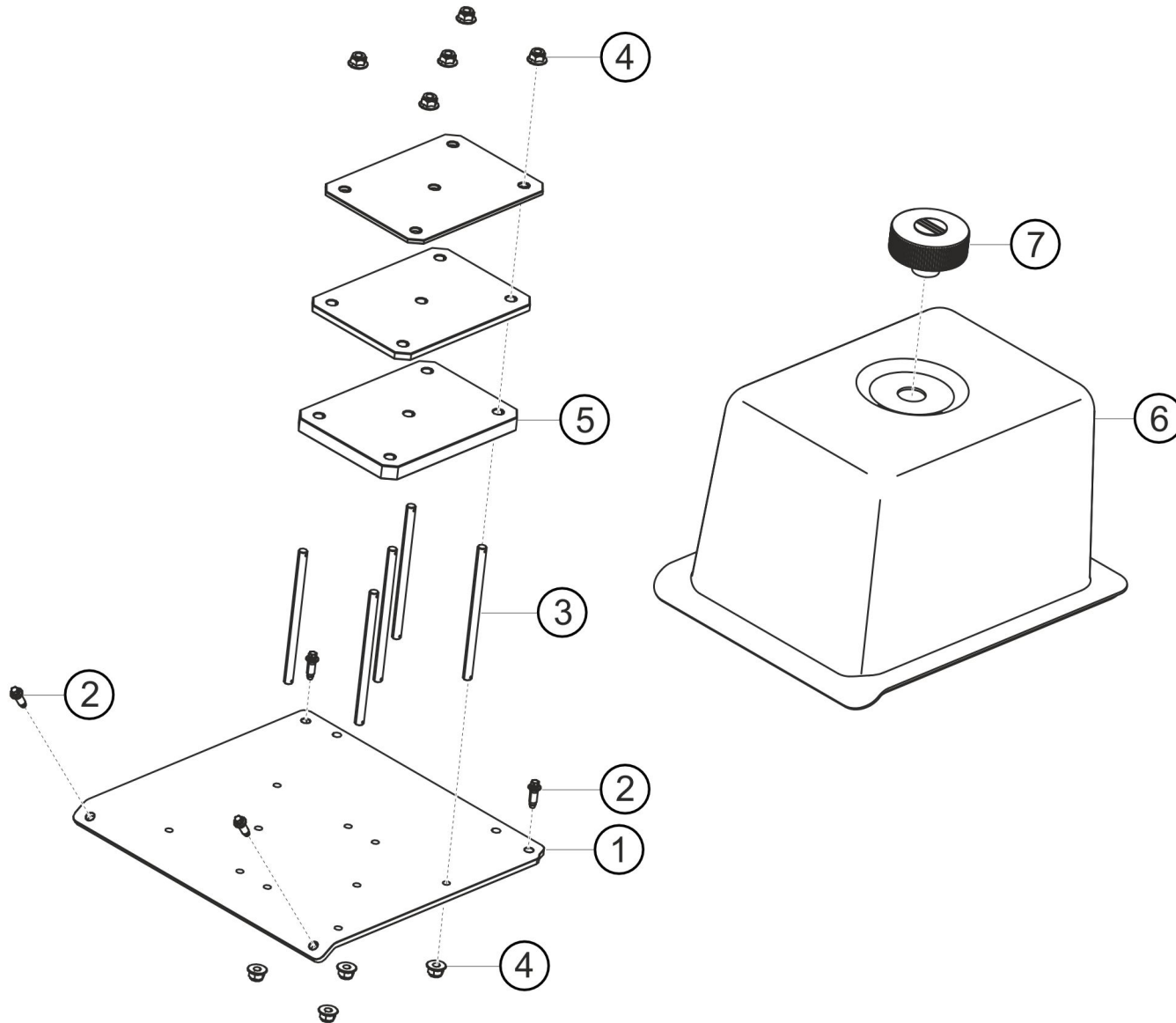
Item no.	Description	M	Pc.	Material
O.B.	STICKER EMERGENCY SHUTOFF	X	1	99670121590
1	EXTINGUISHER BOTTLE	X	1	9917221158A
2	CLAMP FIRE-EXTINGUIS.SYST.	X	2	9917221238A
3	PRESSURE TANK	X	2	9917225258A
4	CABLE HOLDER		4	99951124440
5	TUBE FIRE-EXTINGUIS.SYST.	X	1	9917226318A
6	TUBE FIRE-EXTINGUIS.SYST.	X	1	9917226338A
7	TUBE FIRE-EXTINGUIS.SYST.	X	1	9917226118A
8	LINE FIRE EXTINGUISHER	X	3	9917227518A
9	TUBE FIRE-EXTINGUIS.SYST.	X	1	9917226138A
10	TUBE FIRE-EXTINGUIS.SYST.	X	1	9917226178A
11	TUBE FIRE-EXTINGUIS.SYST.	X	1	9917226158A
12	NOZZLE FIRE-EXTINGUIS.SYST.	X	3	9917224178A
13	TUBE FIRE-EXTINGUIS.SYST.	X	1	9917226198B
14	BRACKET		9	8K0611797D
15	BRACKET		1	8K0611797E
16	CABLE TIE 45 PA6.6/SW *	X	3	99950795240
17	HOLDER - HOSE		2	99951125740
18	TUBE FIRE-EXTINGUIS.SYST.	X	1	9917226238A
19	CABLE HOLDER		6	99965140940
20	TUBE FIRE-EXTINGUIS.SYST.	X	1	9917226218A
21	NOZZLE ENGINE BAY	X	2	9917224198A
22	TUBE FIRE-EXTINGUIS.SYST.	X	1	9917226258A

10.5 fire extinguishing system



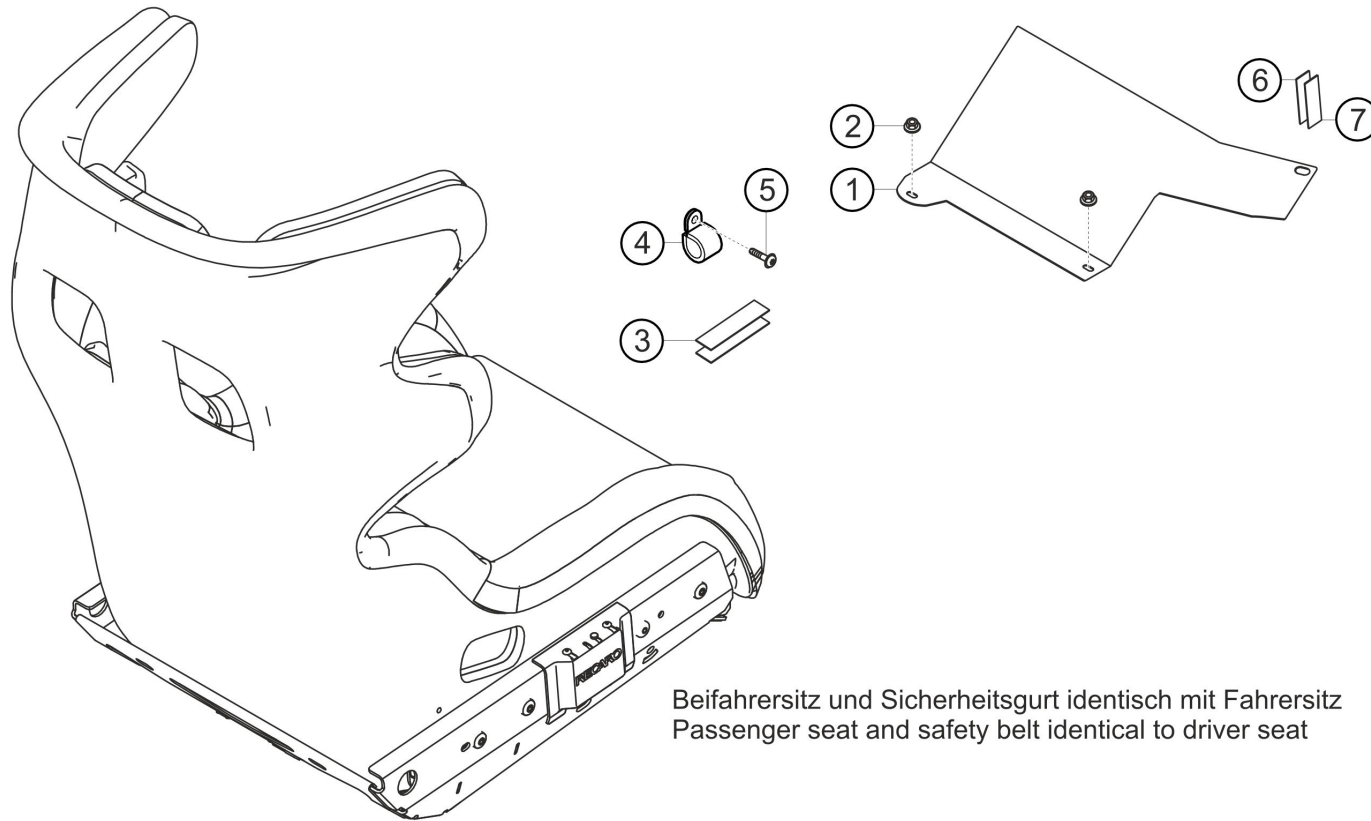
Item no.	Description	M	Pc.	Material
23	LINE FIRE EXTINGUISHER	X	1	9917227538A
24	TUBE FIRE-EXTINGUIS.SYST.	X	1	9917226278A
25	HOLDER FIRE-FIGHTING JET	X	1	9917228718A
26	TUBE FIRE-EXTINGUIS.SYST.	X	1	9917226298A
27	NOZZLE ENGINE BAY	X	1	9917224198B
28	RELEASE DEVICE	X	1	9917223158B
29	SWITCH FIRE EXTINGUISHER	X	1	9917224298B

10.6 additional weights



Item no.	Description	M	Pc.	Material
1	BASE PLATE AUXILIARY WEIGHT	X	1	9915048479B
2	TORX SCREW		4	99914104701
3	THREADED BOLT	X	5	9975048429A
4	LOCK NUT		10	90038001001
5	AUXILIARY WEIGHT SMALL	X	1	99750484800
5	AUXILIARY WEIGHT MEAN	X	1	99750484801
5	AUXILIARY WEIGHT BIG	X	1	99750484802
6	COVERING AUXILIARY WEIGHT	X	1	9915048659B
7	KNURLED NUT COVERING	X	1	9915048529B

10.7 passenger seat



Beifahrersitz und Sicherheitsgurt identisch mit Fahrersitz
 Passenger seat and safety belt identical to driver seat

Item no.	Description	M	Pc.	Material
1	COVERING FIRE EXTINGUISHER	X	1	9917224058A
2	PLASTIC NUT		2	99904903240
3	VELCRO FASTENER 25,4	X	100	99990203840
4	CLIP 28x15		1	99951108702
5	OVAL HEAD SCREW M5X16 8.8 S627 *	X	1	999073446A2
6	TEXTILE FASTENER	X	100	9963143139A
7	TEXTILE FASTENER	X	100	9963143159A