

Technische Information

Technical Information

10/2019

911 GT3 Cup (991 I & II)

Sitzeinlage

Seat inserts

Fahrzeug / Vehicle:	911 GT3 Cup (991 I & II)
Bauteil / Part:	Sitzeinlage / Seat inserts
Modell / Model	ab 2013 / from 2013

Porsche Motorsport weist darauf hin, dass zusätzlich zu den Angaben im Handbuch *Abschnitt 5.2.4. Padding System* (Abbildung 1) die Regularien gemäß FIA Anhang J, Artikel 253-16 eingehalten werden müssen (Abbildung 2). Für die Verwendung von Polstern oder Schaumeinsätzen bedeutet das:

Auszug FIA Anhang J, Artikel 253-16 Stand 11.07.2019

If a foam insert is used between the homologated seat and the driver, minimum lateral support to the driver's head, shoulders and pelvis must be guaranteed as follows :

- 230mm min. at seat-side-head support along the head-plane.
- 180mm min. at seat-side-shoulder support along the shoulder-plane.
- 100mm min. in height at seat-side-pelvis support along the pelvis-plane over a length of 200mm min.

This requirement must be verified using a parallelepiped template of dimensions X 200 x Y 150 x Z 100 mm.

Die maximale Stärke der Polsterung ist dabei nicht mehr auf 50mm beschränkt. Die in Abbildung 1 grün markierten Flächen dürfen weiterhin nicht verändert werden.

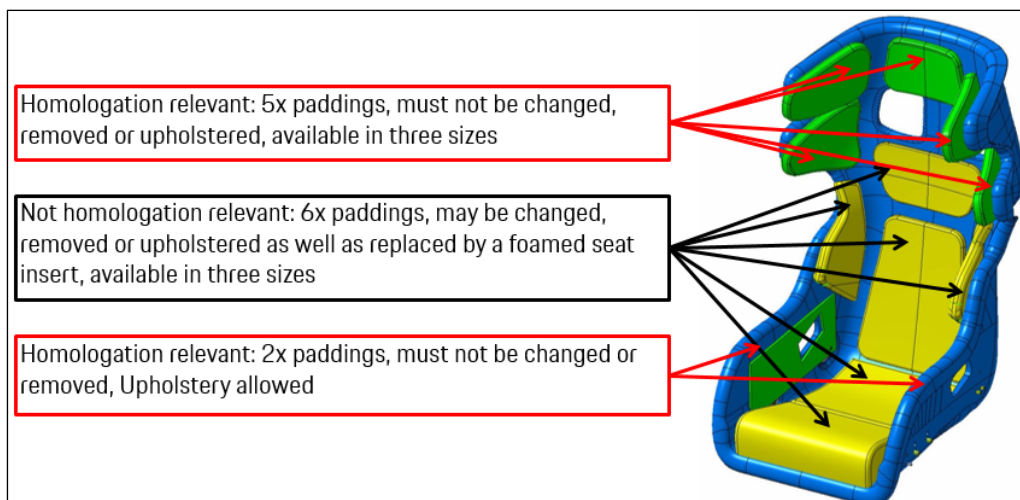


Abbildung 1

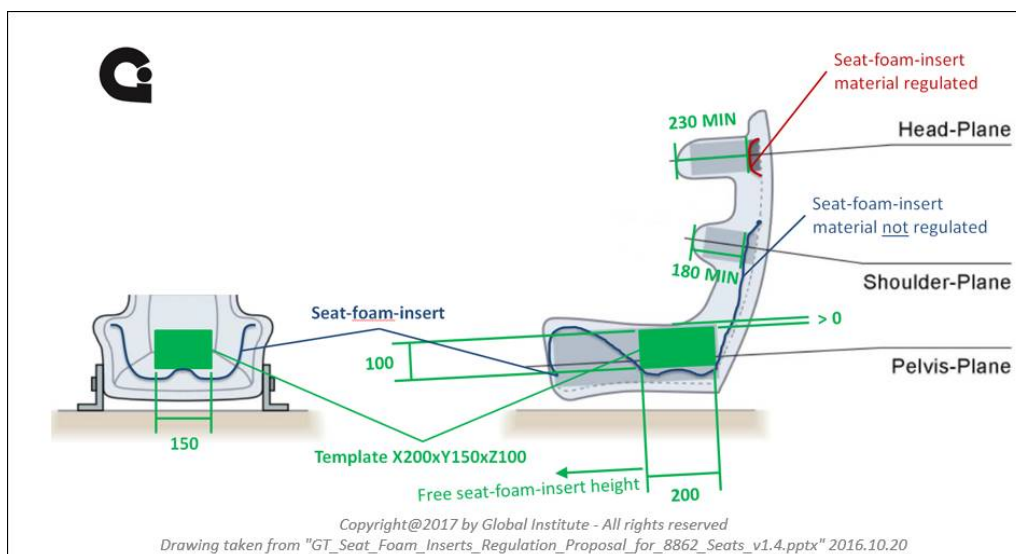


Abbildung 2

Porsche Motorsport informs that in addition to the information included in the handbook chapter 5.2.4. Padding System (image 1) the regulations according to FIA Appendix J, Article 253-16 must be respected (image 2). When using padding or a foam insert this means:

Extract FIA Appendix J, Article 253-16 version 11.07.2019

If a foam insert is used between the homologated seat and the driver, minimum lateral support to the driver's head, shoulders and pelvis must be guaranteed as follows :

- 230mm min. at seat-side-head support along the head-plane.
- 180mm min. at seat-side-shoulder support along the shoulder-plane.
- 100mm min. in height at seat-side-pelvis support along the pelvis-plane over a length of 200mm min.

This requirement must be verified using a parallelepiped template of dimensions X 200 x Y 150 x Z 100 mm.

In this case, the maximum thickness of the padding is no longer limited to 50mm. However, the surfaces marked green in image 1 must still not be changed/modified.

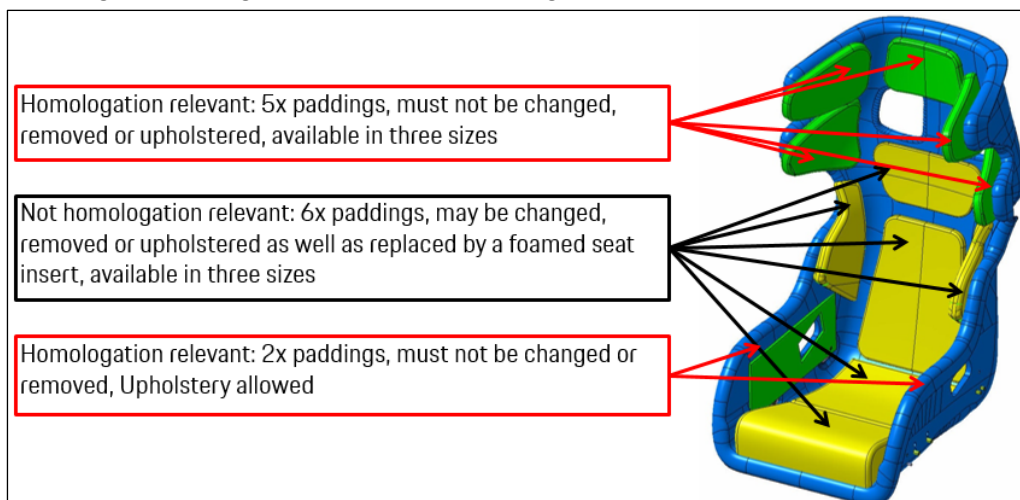


Figure 1

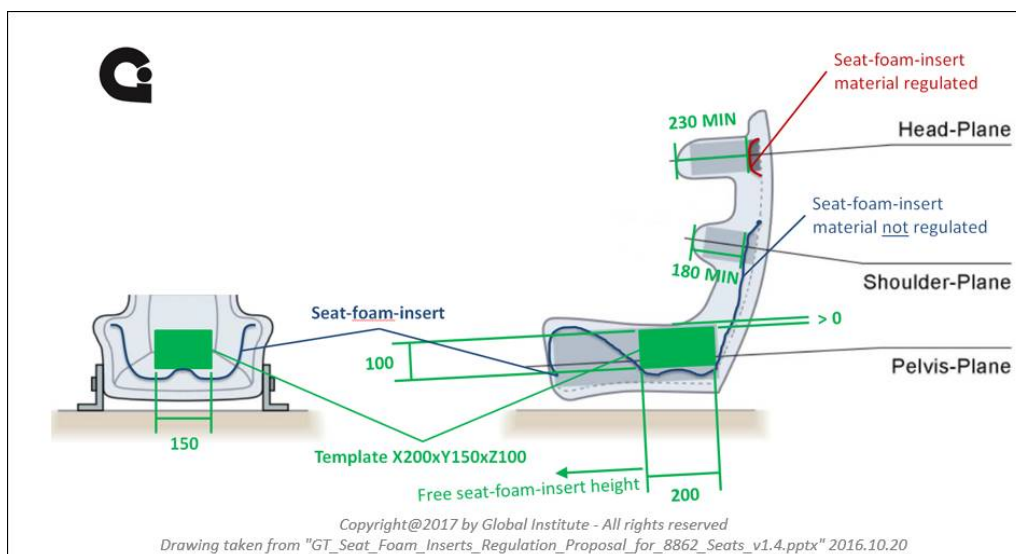


Figure 2